

T&S BRASS AND BRONZE WORKS, INC.
 2 SADDLEBACK COVE / P.O. BOX 1088 / TRAVELERS REST, SC 29690
 PHONE 800-476-4103 FAX 864- 834-3518



Model No.

FLANGE-1

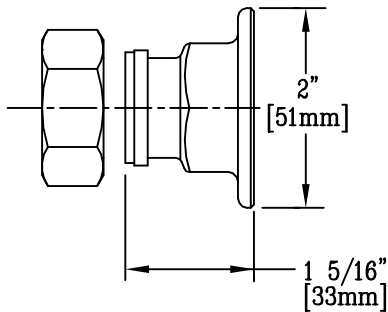
Item No.:

Job Name:

Architect/Engineer Approval:

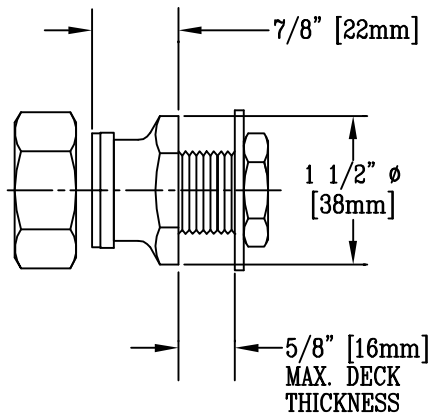
Notes:

"A-A"
"B-B"



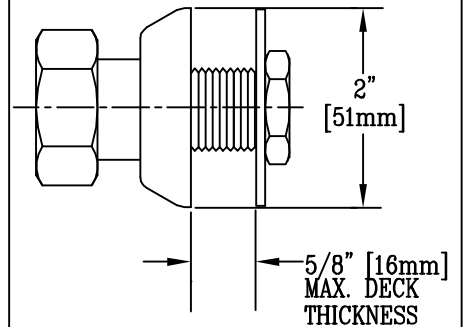
"A-A" FLANGE-1/2" IPS
"B-B" FLANGE-3/4" IPS

"C-C"



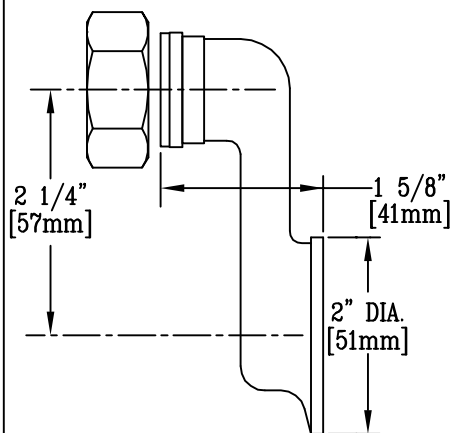
"C-C" FLANGE-1/2" IPS

"E-E"



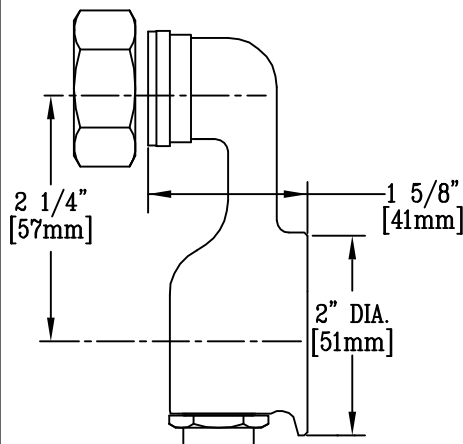
"E-E" FLANGE-1/2" IPS
1" LONG W/ ADJUSTABLE FLANGE

"G-G"



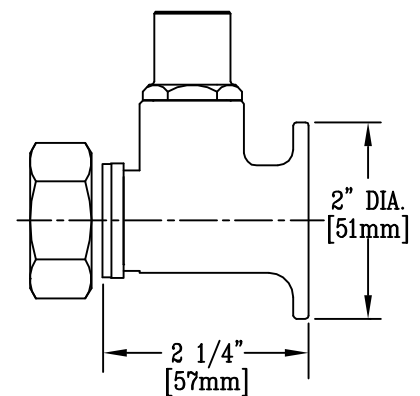
"G-G" ADJUSTABLE FLANGE

"X-X"



"X-X" ADJUSTABLE FLANGE

"J-J"



"J-J" LOOSE KEY FLANGE

Product Description:

T & S FLANGES : "A-A", "B-B", "C-C", "E-E",
 "G-G", "X-X", "J-J"

Drawn:

WJS

Approved

CA

Checked

MWR

Scale:

6" = 1'

Date:

2-15-96