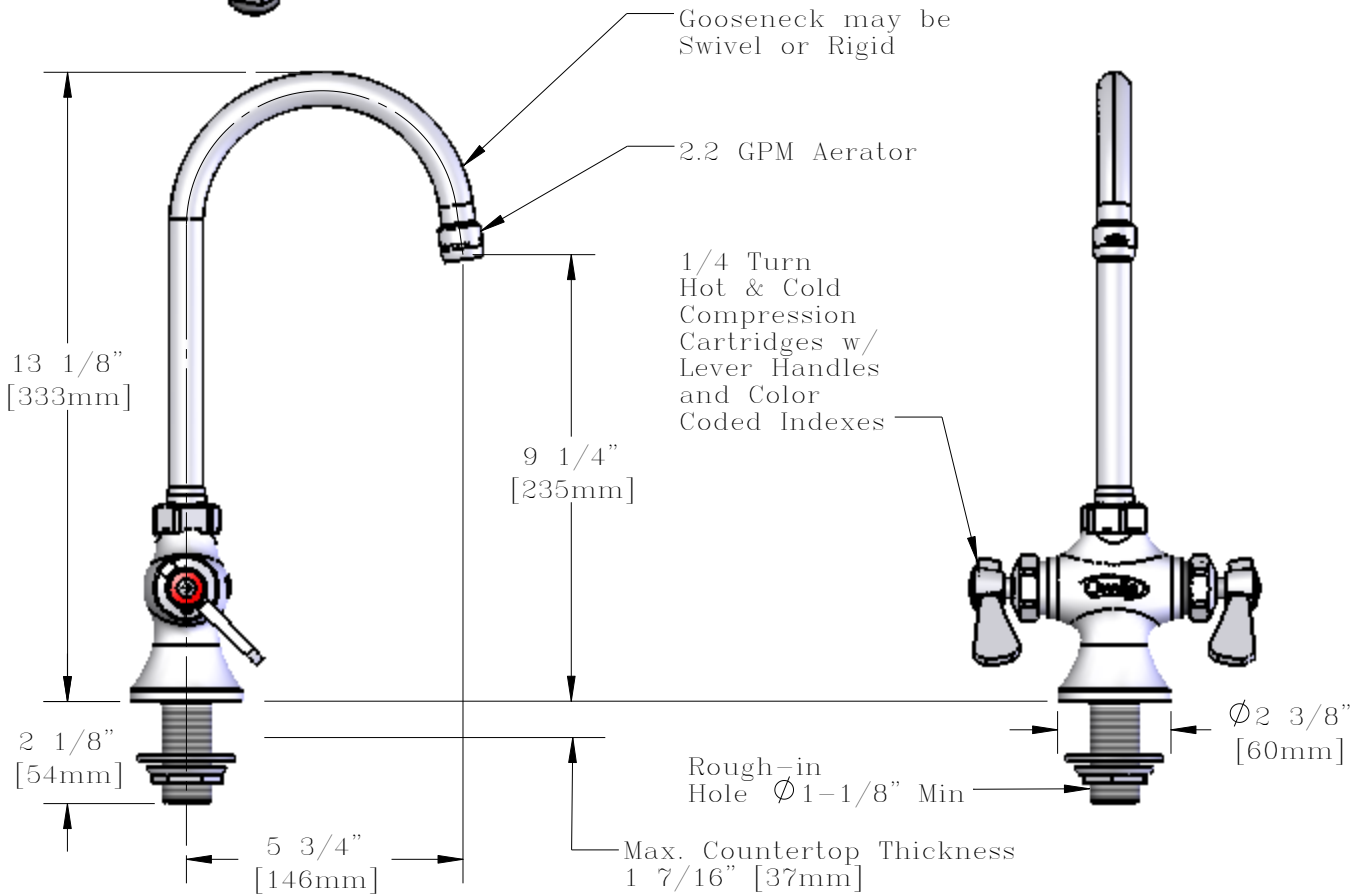


This Space for Architect/Engineer Approval

Job Name _____ Date _____
 Model Specified _____ Quantity _____
 Customer/Wholesaler _____
 Contractor _____
 Architect/Engineer _____

Available Options

Model Suffix #	Description
<input type="checkbox"/> -5A	2.2 GPM VR Aerator
<input type="checkbox"/> -5B	0.5 GPM Aerator
<input type="checkbox"/> -5C	0.5 GPM VR Aerator
<input type="checkbox"/> -5D	2.2 GPM Laminar Flow
<input type="checkbox"/>	
<input type="checkbox"/> -VR5C	Complete VR Pkg (0.5 GPM)
<input type="checkbox"/> -VR5A	Complete VR Pkg (2.2 GPM)
<input type="checkbox"/>	



Model Number Q-139YB	Date 10/23/2006	Scale 1:4	Drawn DHL	Checked JRM	Approved JHB
--------------------------------	---------------------------	---------------------	---------------------	-----------------------	------------------------



Product Specifications:

Single Hole Deck Mount Mixing Faucet, Compression Cartridges, Lever Handles, 5 3/4" Gooseneck (GN-B), 2.2 GPM Aerator



T&S BRASS AND BRONZE WORKS, INC.
 2 Saddleback Cove, P.O. Box 1088
 Travelers Rest, South Carolina 29690

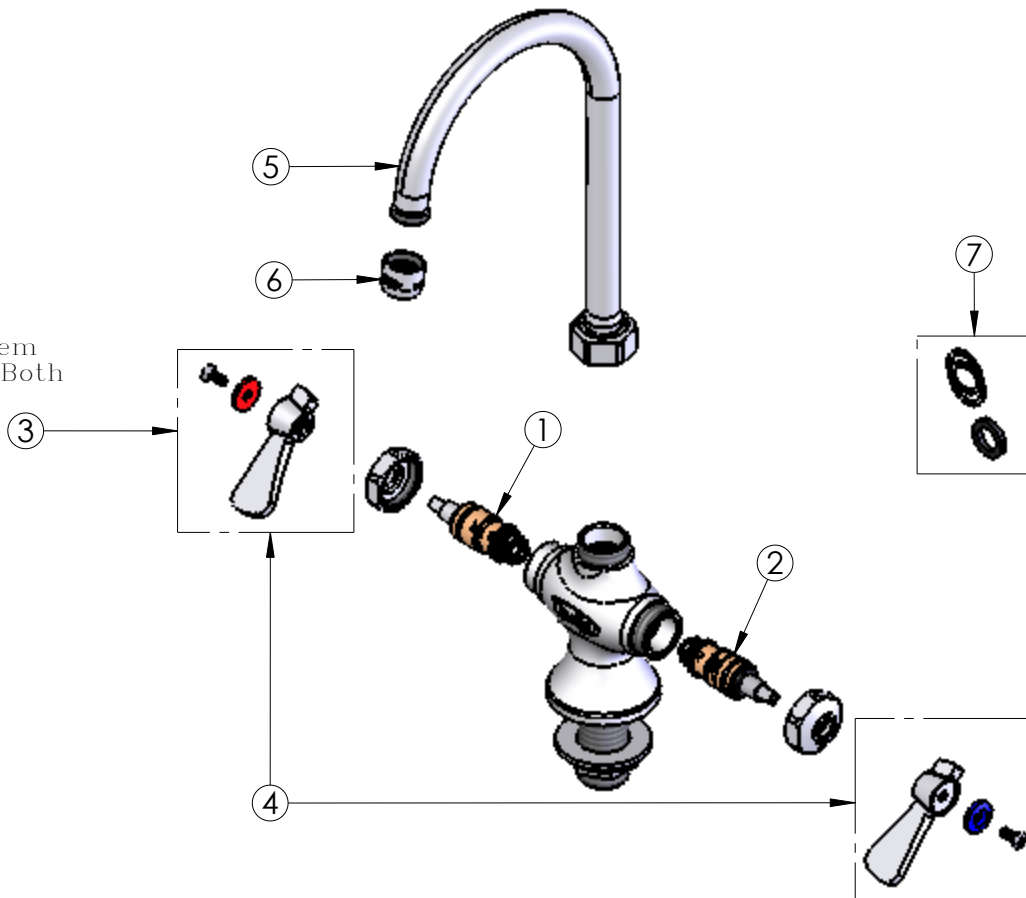
Phone: 800.476.4103 Fax: 800.834.3518, Simi Valley 800.423.0750



REG. #A2601
 ISO #9001

ITEM NO.	SALES NO.	DESCRIPTION
1	Q015387-40	Standard Compression Cartridge, Hot
2	Q015388-40	Standard Compression Cartridge, Cold
3	Q015973-40	Lever Handle, 1-Pack Kit
4	Q015972-40	Lever Handle, 2-Pack Kit
5	Q015378-40	5 3/4" Gooseneck (GN-B)
6	Q014986-45	Aerator, Female, 2.2 GPM
7	Q016062-45	GN Swivel/Rigid Kit

Note: This Item Kit Includes Both Color Coded Indexes.



Model Number Q-139YB	Date 10/23/2006	Scale 1:4	Drawn DHL	Checked JRM	Approved JHB
-------------------------	--------------------	--------------	--------------	----------------	-----------------



Product Specifications:

Single Hole Deck Mount Mixing Faucet,
Compression Cartridges, Lever Handles,
5 3/4" Gooseneck (GN-B), 2.2 GPM Aerator



T&S BRASS AND BRONZE WORKS, INC.
2 Saddleback Cove, P.O. Box 1088
Travelers Rest, South Carolina 29690

Phone: 800.476.4103 Fax: 800.834.3518, Simi Valley 800.423.0750



REG. #A2601
ISO #9001