



ADA COMPLIANT

This Space for Architect/Engineer Approval

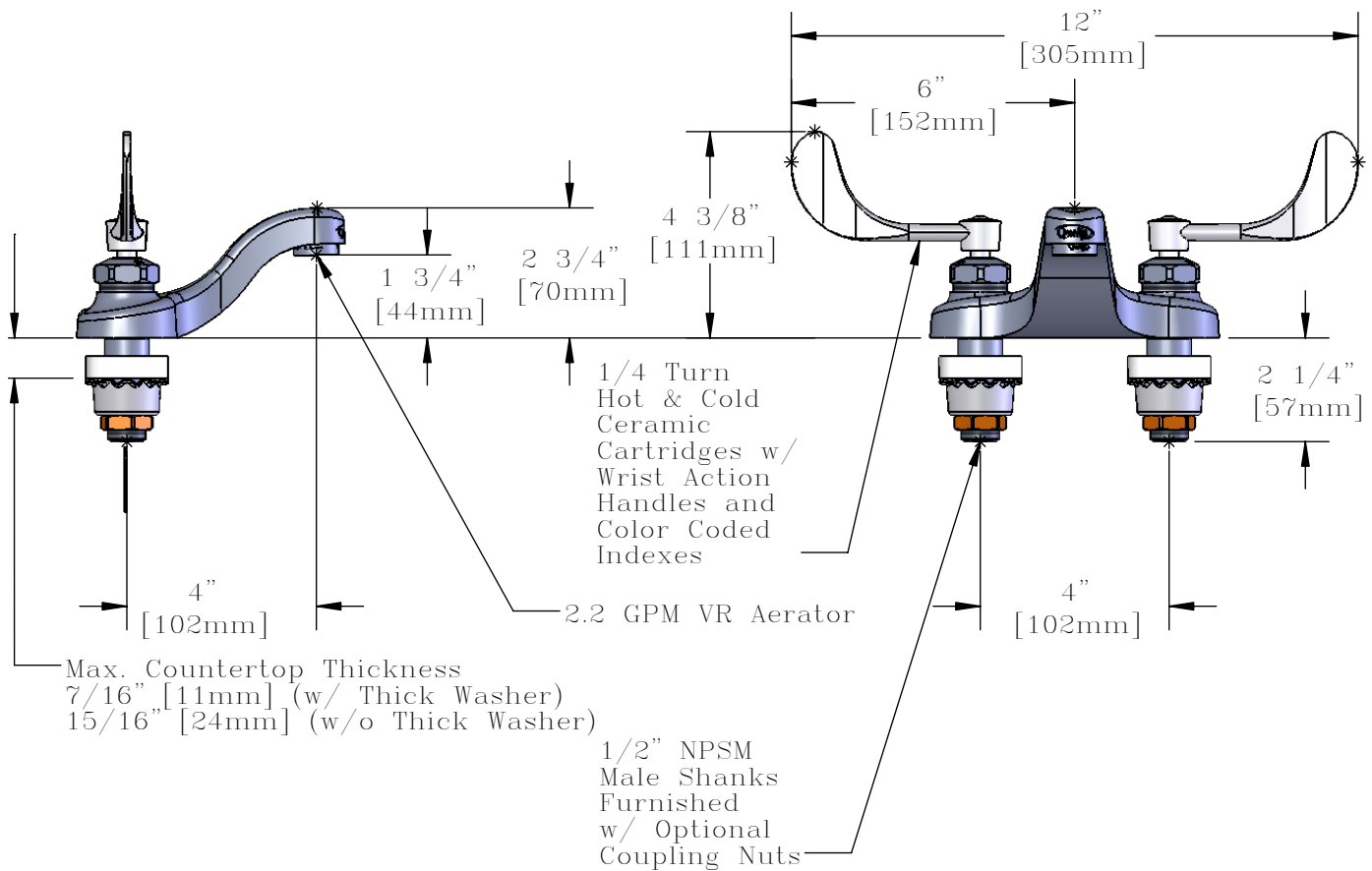
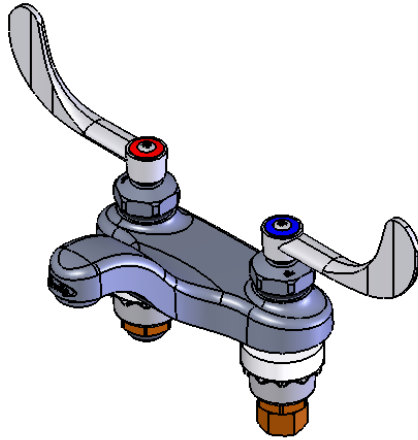
Job Name _____ Date _____

Model Specified _____ Quantity _____

Customer/Wholesaler _____

Contractor _____

Architect/Engineer _____



Max. Countertop Thickness
7/16" [11mm] (w/ Thick Washer)
15/16" [24mm] (w/o Thick Washer)

Model Number
Q-418WZ-5A

Date
12/22/06

Scale
1:4

Drawn
DHL

Checked
GEF

Approved
JHB



Product Specifications:
4" Centerset Mixing Faucet, Ceramic Cartridges,
Wrist Action Handles, 2.2 GPM VR Aerator



T&S BRASS AND BRONZE WORKS, INC.
2 Saddleback Cove, P.O. Box 1088
Travelers Rest, South Carolina 29690

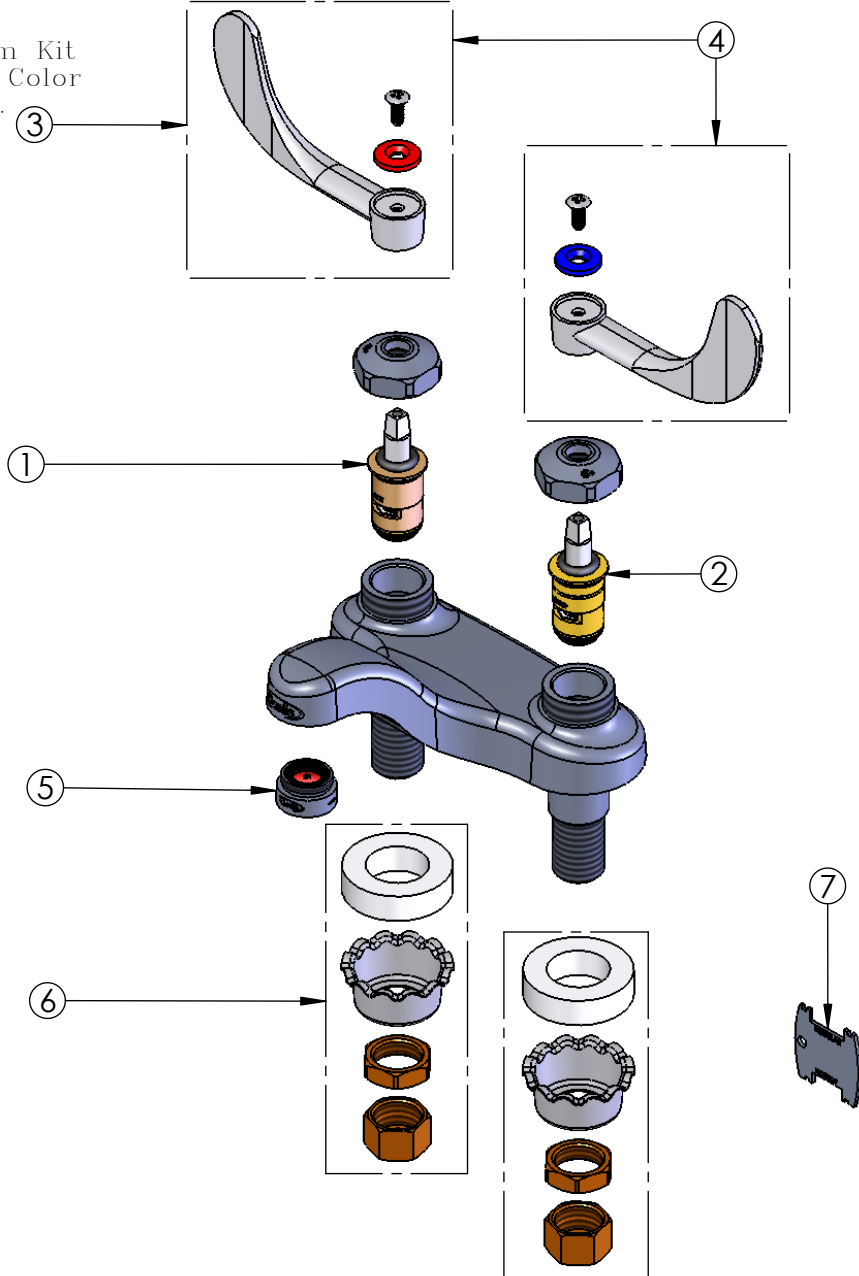
Phone: 800.476.4103 Fax: 800.834.3518, Simi Valley 800.423.0750



REG. #A2601
ISO #9001

ITEM NO.	SALES NO.	DESCRIPTION
1	Q015383-40	Standard Ceramic Cartridge, Hot
2	Q015384-40	Standard Ceramic Cartridge, Cold
3	Q015975-40	Wrist Action Handle, 1-Pack Kit
4	Q015974-40	Wrist Action Handle, 2-Pack Kit
5	Q015563-45	VR 2.2 GPM Male Aerator
6	Q015424-40	Shank Hardware
7	Q015425-45	Vandal Resistant Key

Note: This Item Kit Includes Both Color Coded Indexes.



Model Number
Q-418WZ-5A

Date
12/22/06

Scale
1:4

Drawn
DHL

Checked
GEF

Approved
JHB



Product Specifications:

4" Centerset Mixing Faucet, Ceramic Cartridges,
Wrist Action Handles, 2.2 GPM VR Aerator



T&S BRASS AND BRONZE WORKS, INC.
2 Saddleback Cove, P.O. Box 1088
Travelers Rest, South Carolina 29690

Phone: 800.476.4103 Fax: 800.834.3518, Simi Valley 800.423.0750



REG. #A2601
ISO #9001