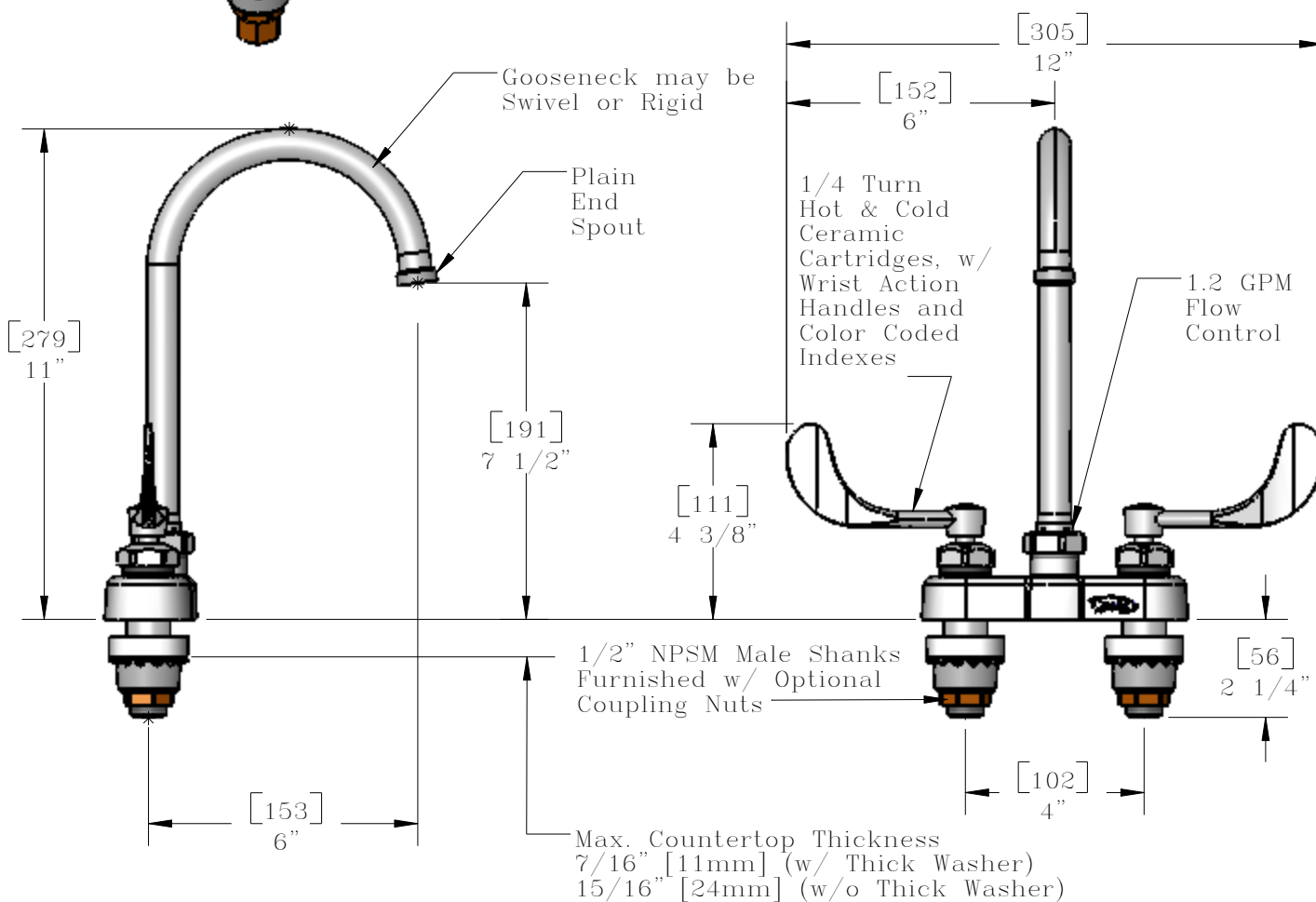
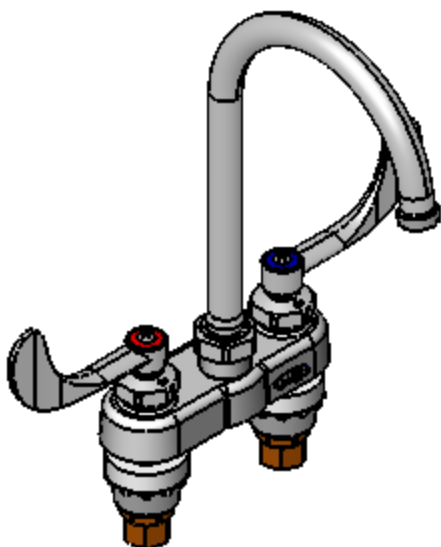




*This Space for Architect/Engineer Approval*

Job Name \_\_\_\_\_ Date \_\_\_\_\_  
 Model Specified \_\_\_\_\_ Quantity \_\_\_\_\_  
 Customer/Wholesaler \_\_\_\_\_  
 Contractor \_\_\_\_\_  
 Architect/Engineer \_\_\_\_\_



Model Number  
Q-438WB-5W

Date  
8/14/06

Scale  
1:4

Drawn  
DHL

Checked  
JRM

Approved  
JHB



Product Specifications:  
 4" Centerset Mixing Faucet, Ceramic Cartridges,  
 Wrist Action Handles, 5 3/4" Gooseneck (GN-B),  
 1.2 GPM Flow Control



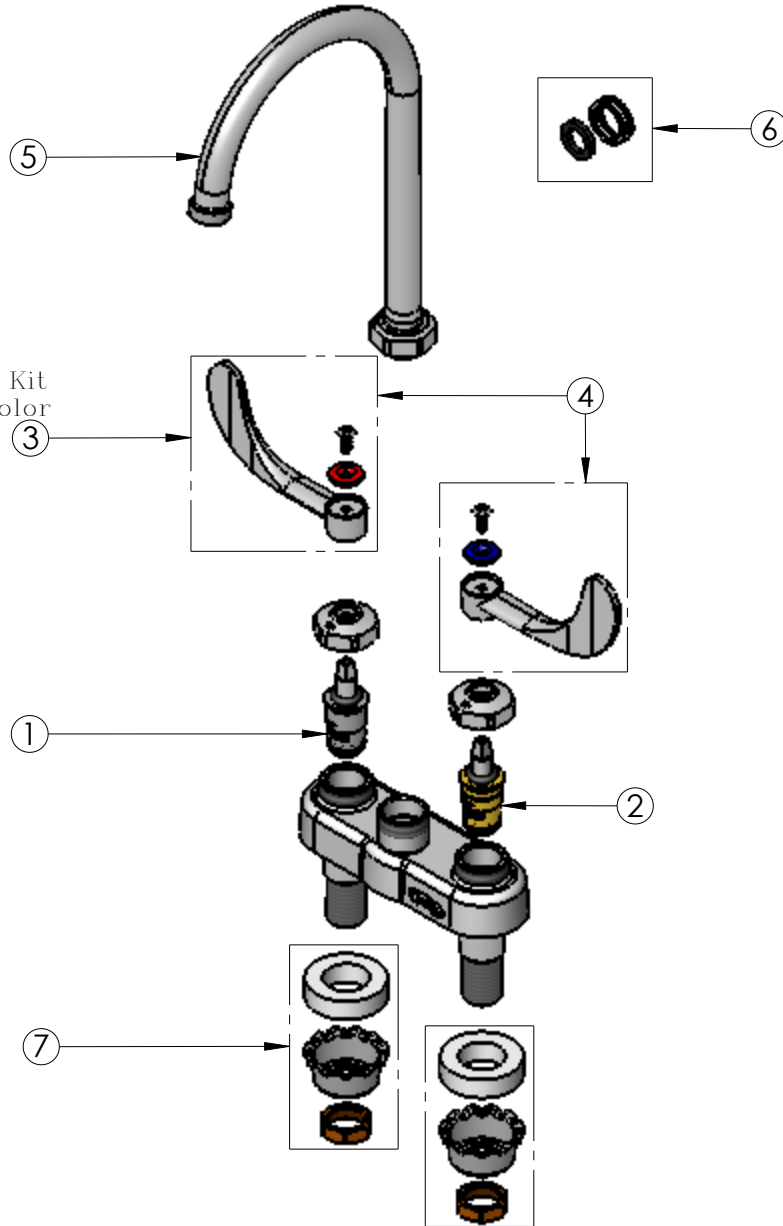
T&S BRASS AND BRONZE WORKS, INC.  
 2 Saddleback Cove, P.O. Box 1088  
 Travelers Rest, South Carolina 29690

Phone: 800.476.4103 Fax: 800.834.3518, Simi Valley 800.423.0750



REG. #A2601  
 ISO #9001

ITEM NO.	SALES NO.	DESCRIPTION
1	Q015383-40	Standard Ceramic Cartridge, Hot
2	Q015384-40	Standard Ceramic Cartridge, Cold
3	Q015975-40	Wrist Action Handle, 1-Pack Kit
4	Q015974-40	Wrist Action Handle, 2-Pack Kit
5	Q015440-40	5 3/4" Gooseneck (GN-B) w/ 1.2 GPM Flow Control & Spout Ring
6	Q016062-45	GN Swivel/Rigid Kit
7	Q015424-40	Shank Hardware



Note: This Item Kit Includes Both Color Coded Indexes.

Model Number Q-438WB-5W	Date 8/14/06	Scale 1:4	Drawn DHL	Checked JRM	Approved JHB
----------------------------	-----------------	--------------	--------------	----------------	-----------------



Product Specifications:  
 4" Centerset Mixing Faucet, Ceramic Cartridges,  
 Wrist Action Handles, 5 3/4" Gooseneck (GN-B),  
 1.2 GPM Flow Control

**T&S** T&S BRASS AND BRONZE WORKS, INC.  
 2 Saddleback Cove, P.O. Box 1088  
 Travelers Rest, South Carolina 29690  
 Phone: 800.476.4103 Fax: 800.834.3518, Simi Valley 800.423.0750

