



ADA COMPLIANT

*This Space for Architect/Engineer Approval*

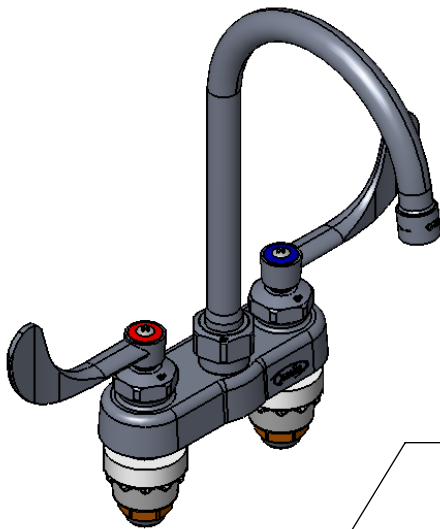
Job Name \_\_\_\_\_ Date \_\_\_\_\_

Model Specified \_\_\_\_\_ Quantity \_\_\_\_\_

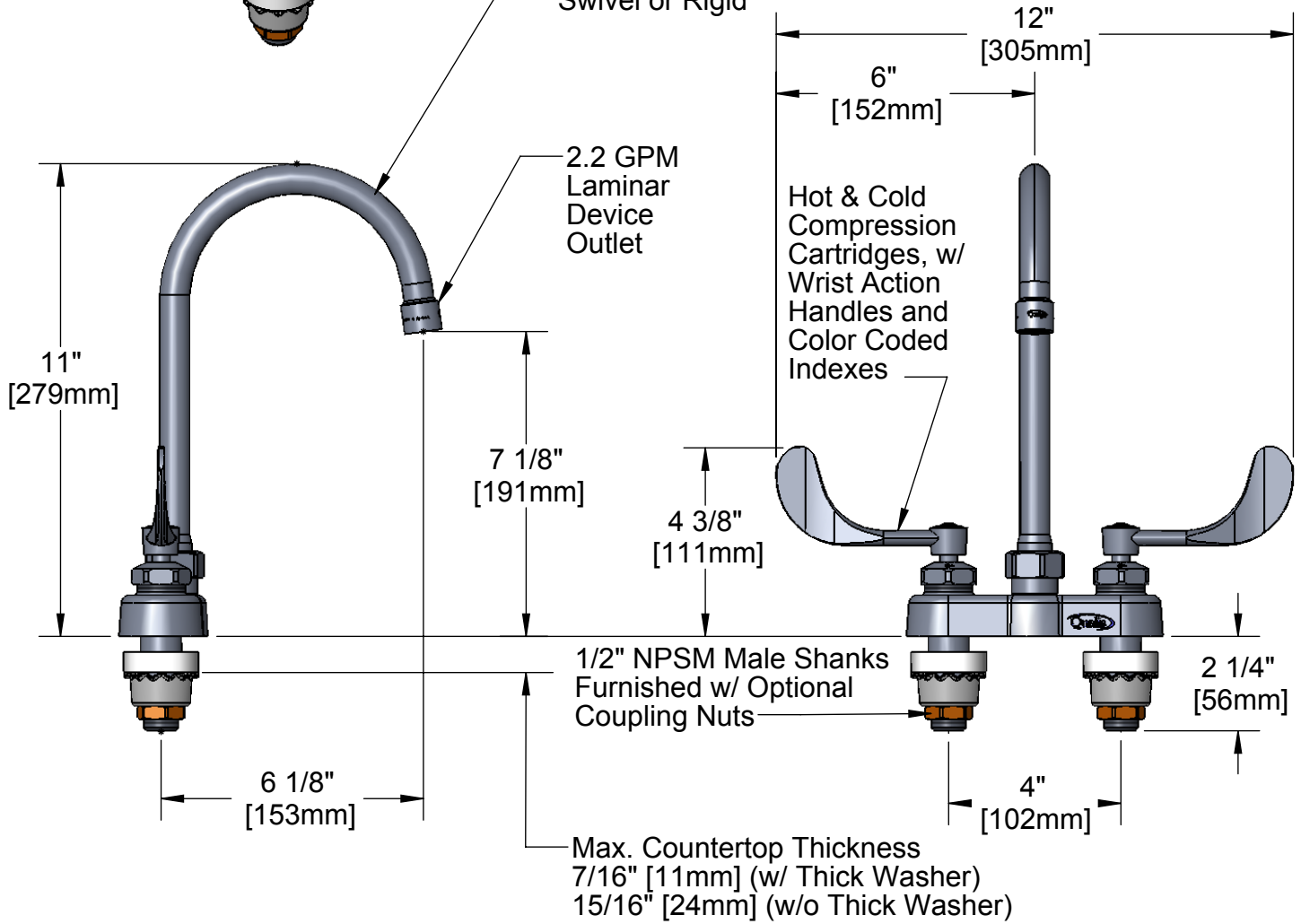
Customer/Wholesaler \_\_\_\_\_

Contractor \_\_\_\_\_

Architect/Engineer \_\_\_\_\_



Gooseneck may be Swivel or Rigid



Model Number  
Q-439WB-5D

Date  
7/31/07

Scale  
1:4

Drawn  
DHL

Checked  
JRM

Approved  
JHB



Product Specifications:

4" Centerset Mixing Faucet, Compression Cartridges,  
Wrist Action Handles, 5 3/4" Gooseneck (GN-B),  
2.2 GPM Laminar Device Outlet



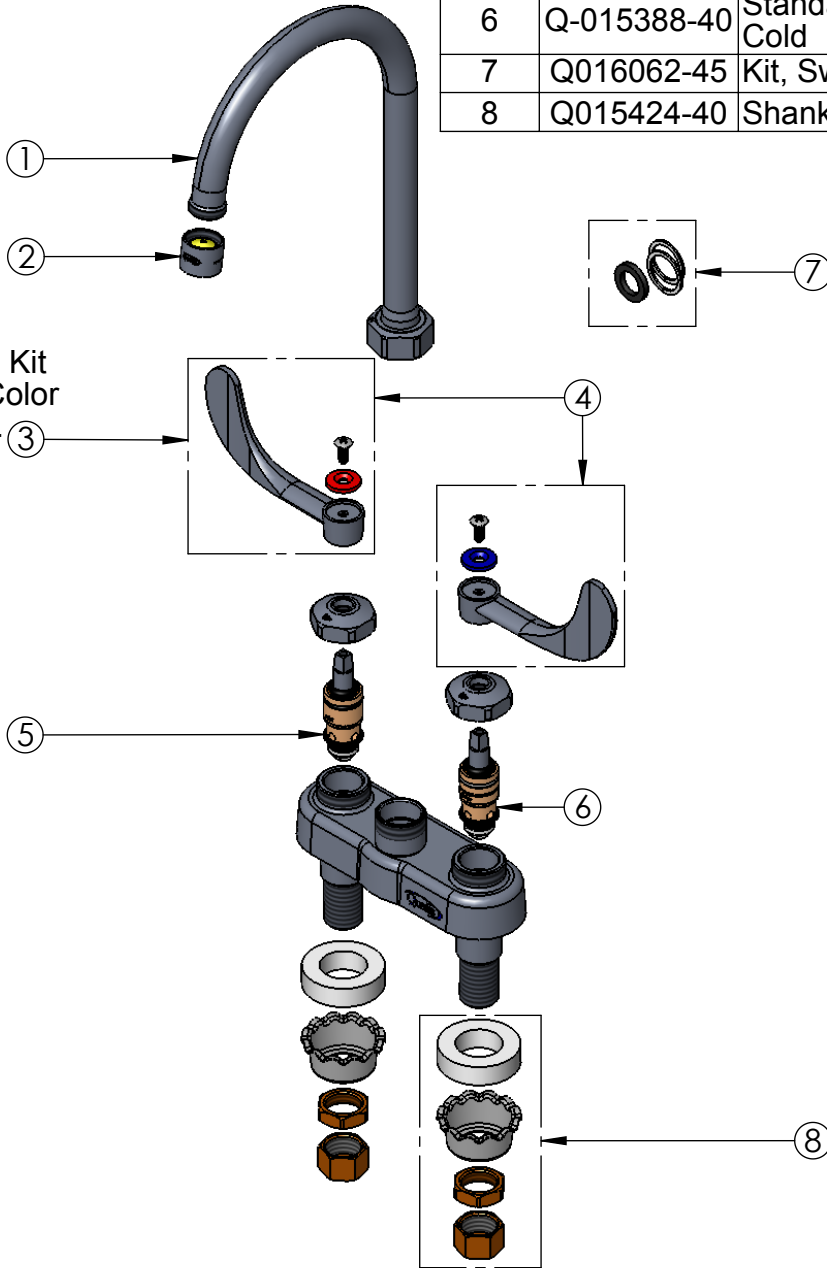
T&S BRASS AND BRONZE WORKS, INC.  
2 Saddleback Cove, P.O. Box 1088  
Travelers Rest, South Carolina 29690

Phone: 800.476.4103 Fax: 800.834.3518, Simi Valley 800.423.0750



REG. #A2601  
ISO #9001

ITEM NO.	SALES NO.	DESCRIPTION
1	Q015378-40	5 3/4" Gooseneck (GN-B)
2	Q016075-45	Laminar Device, 2.2 GPM
3	Q015975-40	Wrist Action Handle, 1-Pack Kit
4	Q015974-40	Wrist Action Handle, 2-Pack Kit
5	Q015387-40	Standard Compression Cartridge, Hot
6	Q-015388-40	Standard Compression Cartridge, Cold
7	Q016062-45	Kit, Swivel/Rigid Gooseneck Repair
8	Q015424-40	Shank Hardware



**Note:** This Item Kit Includes Both Color Coded Indexes.

Model Number Q-439WB-5D	Date 7/31/07	Scale 1:4	Drawn DHL	Checked JRM	Approved JHB
----------------------------	-----------------	--------------	--------------	----------------	-----------------



Product Specifications:  
**4" Centerset Mixing Faucet, Compression Cartridges,  
 Wrist Action Handles, 5 3/4" Gooseneck (GN-B),  
 2.2 GPM Laminar Device Outlet**



T&S BRASS AND BRONZE WORKS, INC.  
 2 Saddleback Cove, P.O. Box 1088  
 Travelers Rest, South Carolina 29690  
 Phone: 800.476.4103 Fax: 800.834.3518, Simi Valley 800.423.0750



REG. #A2601  
 ISO #9001