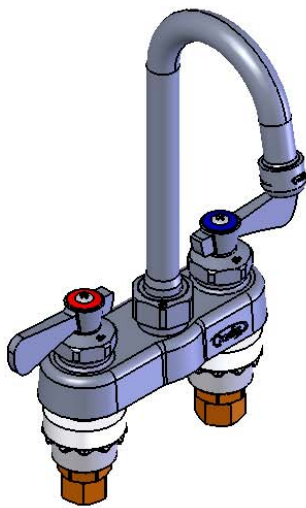




ADA COMPLIANT



This Space for Architect/Engineer Approval

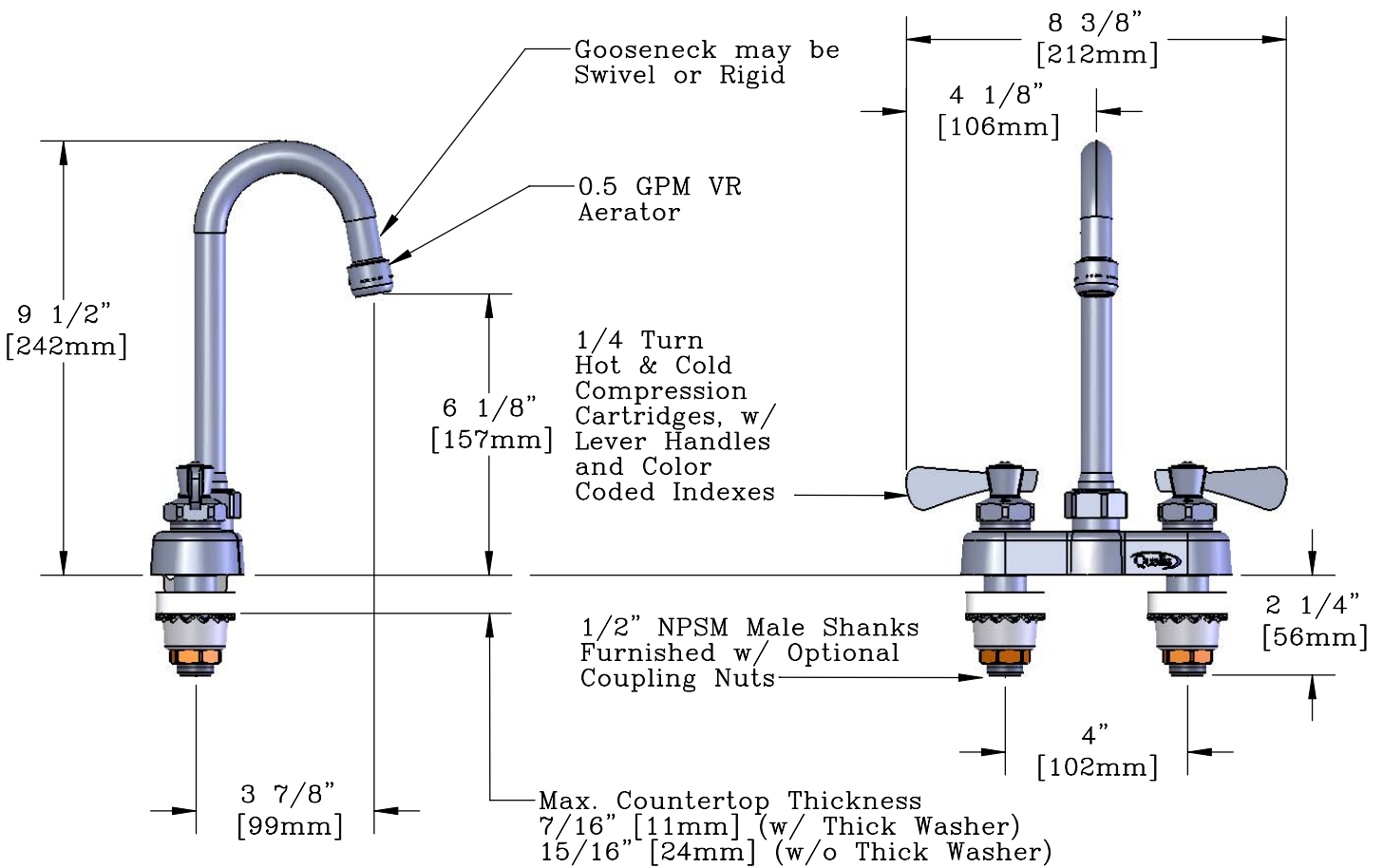
Job Name _____ Date _____

Model Specified _____ Quantity _____

Customer/Wholesaler _____

Contractor _____

Architect/Engineer _____



Note: Rough-In Requirements
(2) ϕ 1" Holes

Model Number Q-439YA-5C	Date 12/11/08	Scale 1:4	Drawn JRM	Checked DMH	Approved JHB
----------------------------	------------------	--------------	--------------	----------------	-----------------



Product Specifications:
4" Centerset Mixing Faucet, Compression Cartridges,
Lever Handles, 3 1/2" Gooseneck (GN-A),
0.5 GPM VR Aerator



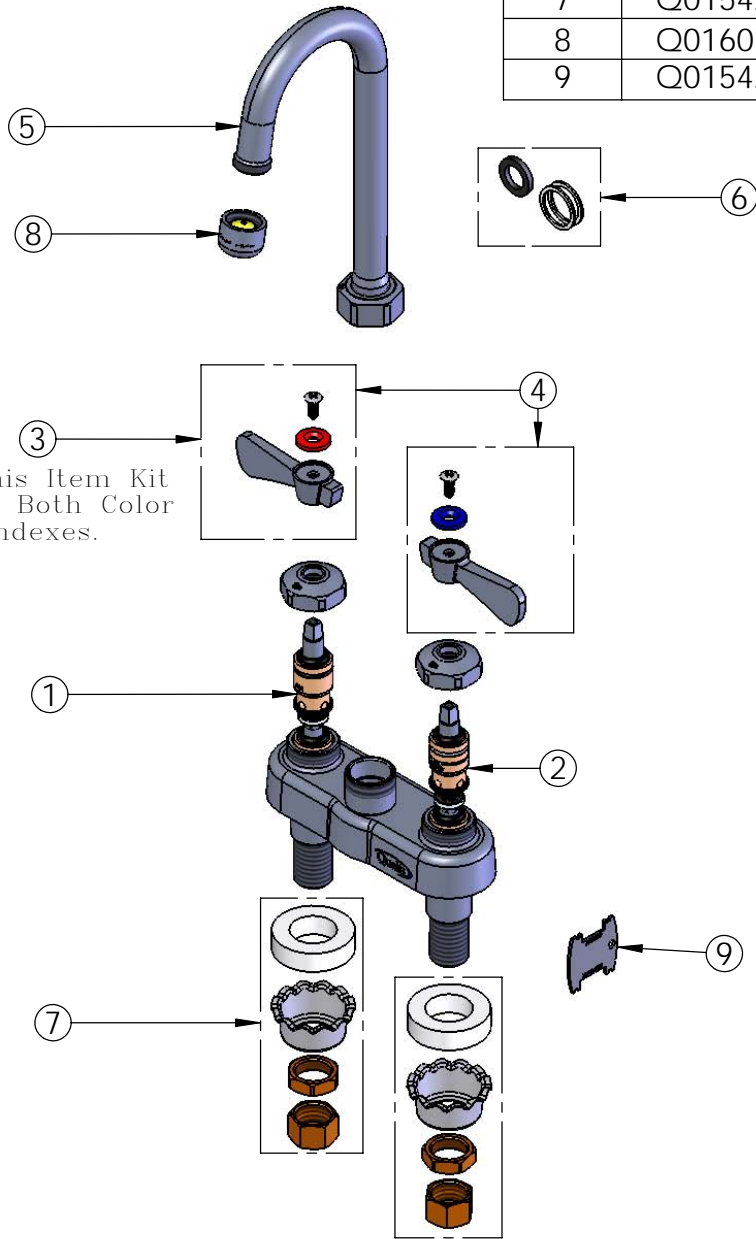
T&S BRASS AND BRONZE WORKS, INC.
2 Saddleback Cove, P.O. Box 1088
Travelers Rest, South Carolina 29690

Phone: 800.476.4103 Fax: 800.834.3518, Simi Valley 800.423.0750



REG. #A2601
ISO #9001

ITEM NO.	SALES NO.	DESCRIPTION
1	Q015387-40	Standard Compression Cartridge, Hot
2	Q015388-40	Standard Compression Cartridge, Cold
3	Q015973-40	Lever Handle, 1-Pack Kit
4	Q015972-40	Lever Handle, 2-Pack Kit
5	Q015379-40	3 1/2" Gooseneck (GN-A)
6	Q016062-45	GN Swivel/Rigid Kit
7	Q015424-40	Shank Hardware
8	Q016071-45	Aerator, Female, 0.5 VR GPM
9	Q015425-45	Vandal Resistant Key



Note: This Item Kit Includes Both Color Coded Indexes.

Model Number Q-439YA-5C	Date 12/11/08	Scale 1:4	Drawn JRM	Checked DMH	Approved JHB
----------------------------	------------------	--------------	--------------	----------------	-----------------



Product Specifications:
4" Centerset Mixing Faucet, Compression Cartridges,
Lever Handles, 3 1/2" Gooseneck (GN-A),
0.5 GPM VR Aerator



T&S BRASS AND BRONZE WORKS, INC.
2 Saddleback Cove, P.O. Box 1088
Travelers Rest, South Carolina 29690
Phone: 800.476.4103 Fax: 800.834.3518, Simi Valley 800.423.0750



REG. #A2601
ISO #9001