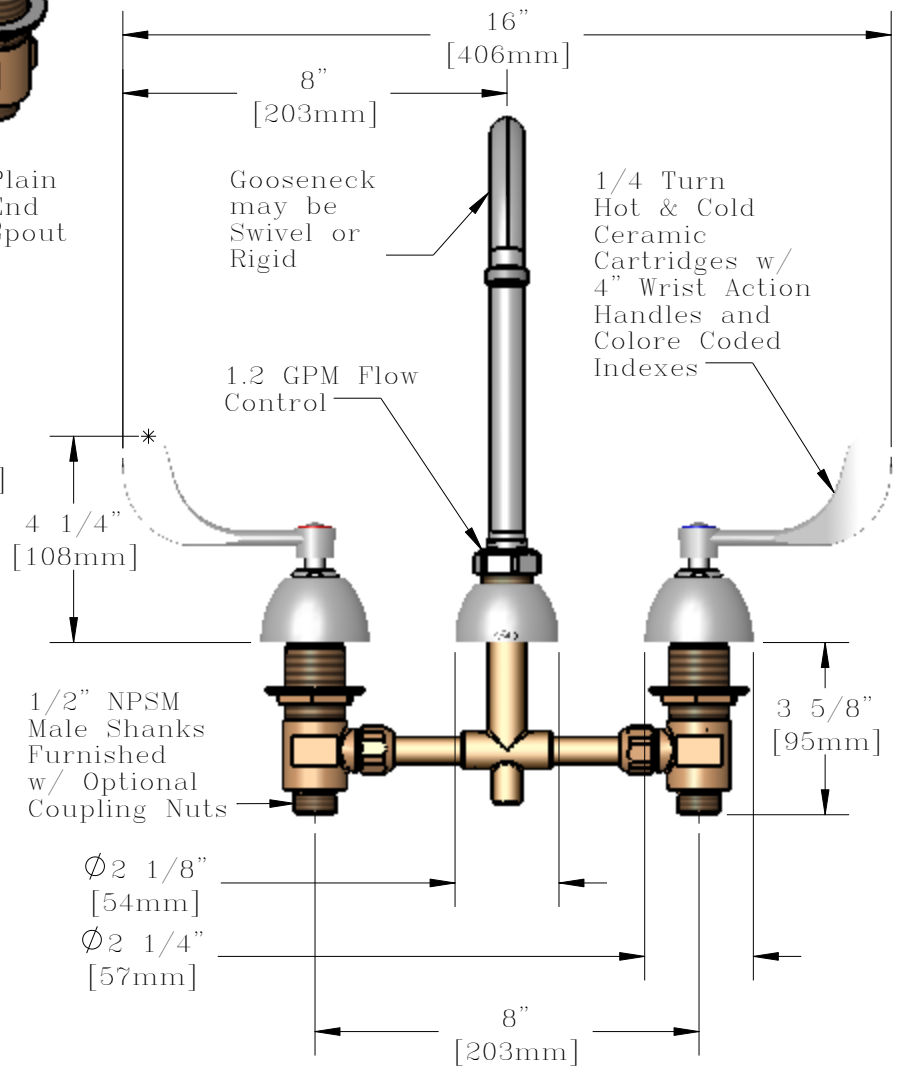
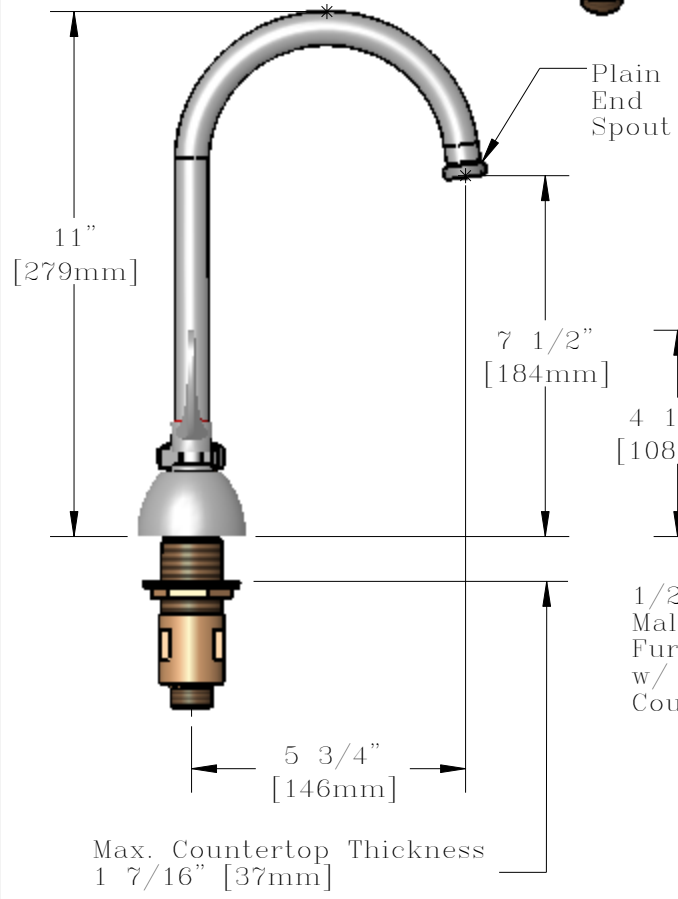
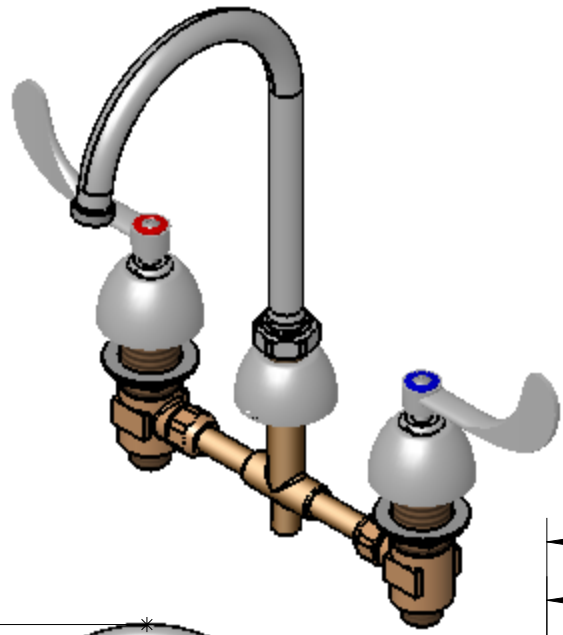




*This Space for Architect/Engineer Approval*  
 Job Name \_\_\_\_\_ Date \_\_\_\_\_  
 Model Specified \_\_\_\_\_ Quantity \_\_\_\_\_  
 Customer/Wholesaler \_\_\_\_\_  
 Contractor \_\_\_\_\_  
 Architect/Engineer \_\_\_\_\_



Model Number <b>Q-858WB-5W</b>	Date <b>8/14/06</b>	Scale <b>1:4</b>	Drawn <b>DHL</b>	Checked <b>JRM</b>	Approved <b>JHB</b>
-----------------------------------	------------------------	---------------------	---------------------	-----------------------	------------------------



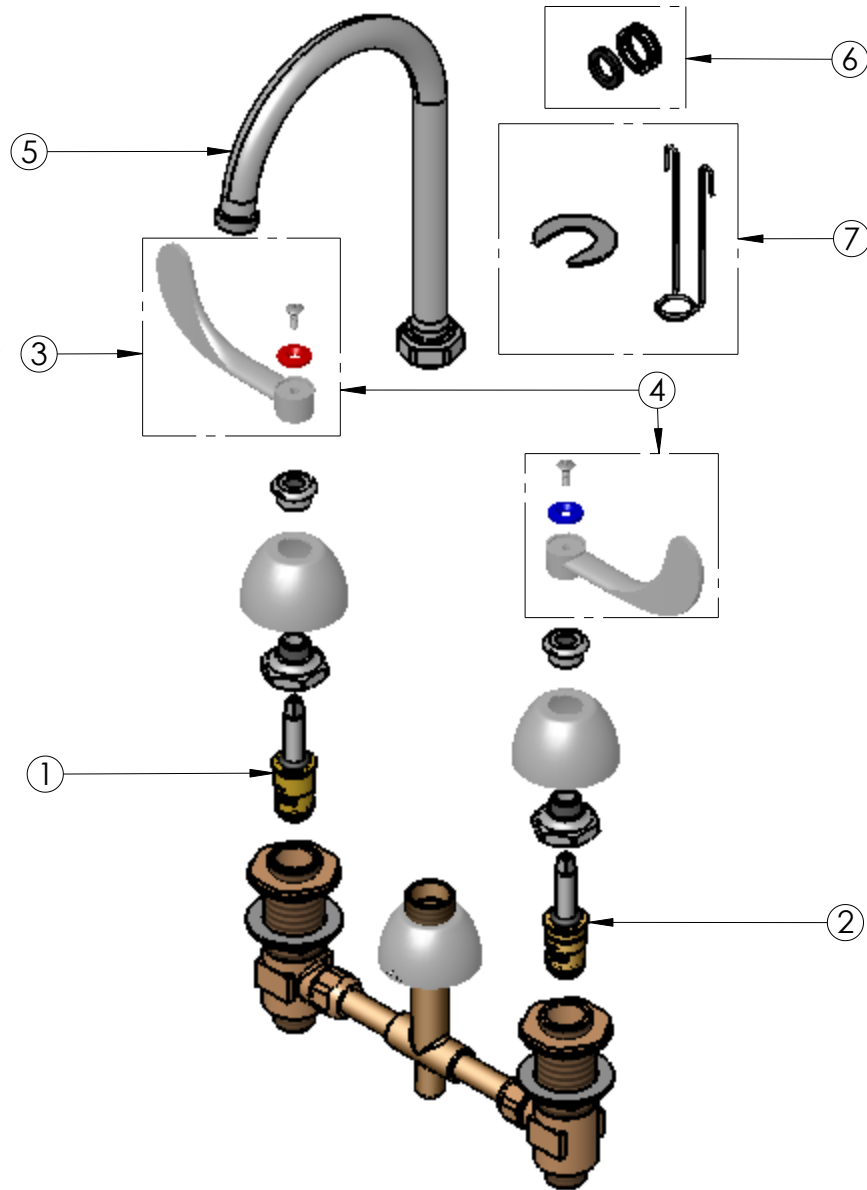
Product Specifications:  
**8" Widespread Mixing Faucet, Ceramic Cartridges, Wrist Action Handles, 5 3/4" Gooseneck (GN-B), 1.2 GPM Flow Control**

**T&S** T&S BRASS AND BRONZE WORKS, INC.  
 2 Saddleback Cove, P.O. Box 1088  
 Travelers Rest, South Carolina 29690  
 Phone: 800.476.4103 Fax: 800.834.3518, Simi Valley 800.423.0750



REG. #A2601  
 ISO #9001

ITEM NO.	SALES NO.	DESCRIPTION
1	Q015385-40	Long Ceramic Cartridge, Hot
2	Q015386-40	Long Ceramic Cartridge, Cold
3	Q015975-40	Wrist Action Handle, 1-Pack Kit
4	Q015974-40	Wrist Action Handle, 2-Pack Kit
5	Q015440-40	5 3/4" Gooseneck (GN-B) w/ 1.2 GPM Flow Control & Spout Ring
6	Q016062-45	GN Swivel/Rigid Kit
7	Q015984-45	Trim Installation Package



Model Number  
Q-858WB-5W

Date  
8/14/06

Scale  
1:4

Drawn  
DHL

Checked  
JRM

Approved  
JHB



Product Specifications:  
8" Widespread Mixing Faucet, Ceramic Cartridges,  
Wrist Action Handles, 5 3/4" Gooseneck (GN-B),  
1.2 GPM Flow Control



T&S BRASS AND BRONZE WORKS, INC.  
2 Saddleback Cove, P.O. Box 1088  
Travelers Rest, South Carolina 29690  
Phone: 800.476.4103 Fax: 800.834.3518, Simi Valley 800.423.0750



REG. #A2601  
ISO #9001