



ADA COMPLIANT

This Space for Architect/Engineer Approval

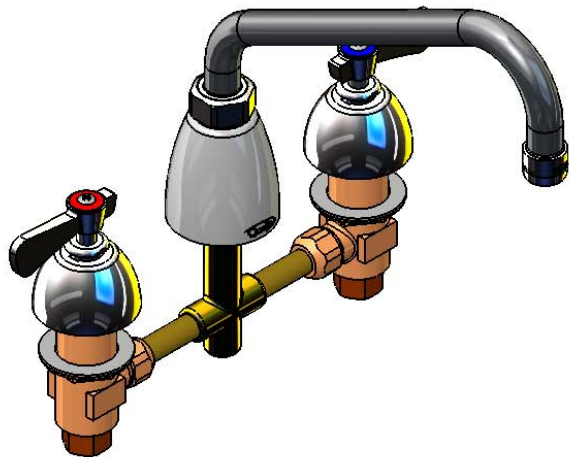
Job Name _____ Date _____

Model Specified _____ Quantity _____

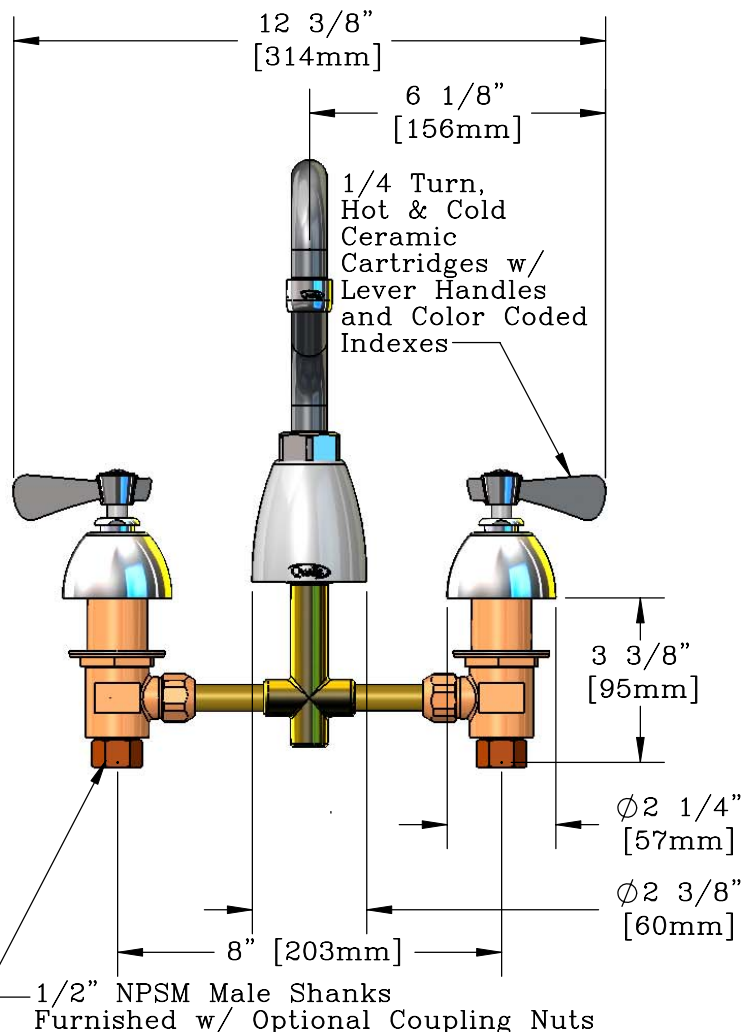
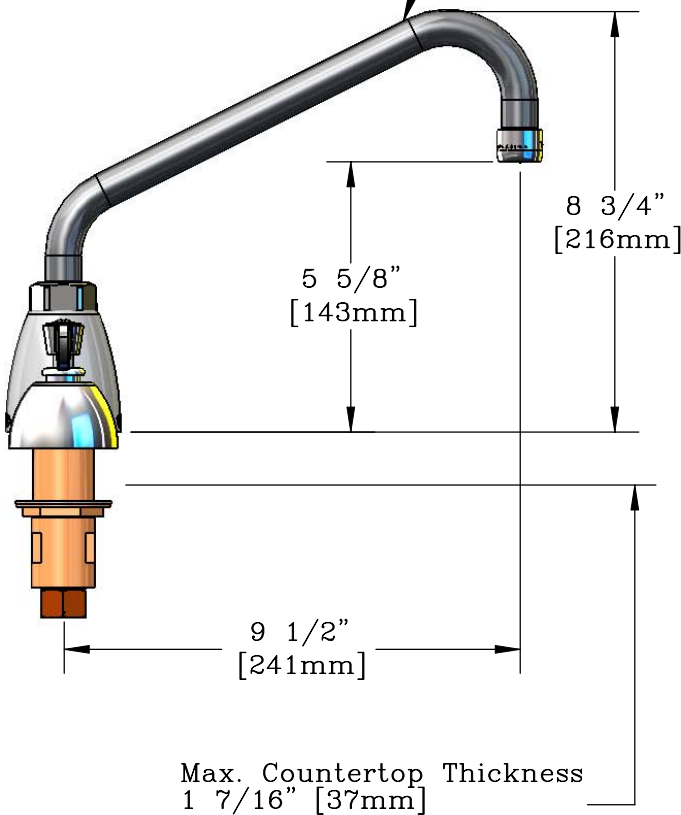
Customer/Wholesaler _____

Contractor _____

Architect/Engineer _____



Swing Spout
w/2.2 GPM VR Aerator



Model Number Q-858YD-5A	Date 6/3/08	Scale 1:4	Drawn JRM	Checked GEF	Approved JHB
----------------------------	----------------	--------------	--------------	----------------	-----------------



Product Specifications:

8" Widespread Mixing Faucet, Ceramic Cartridges, Lever Handles, 9 1/2" Swing Spout (SS-D), 2.2 GPM VR Aerator



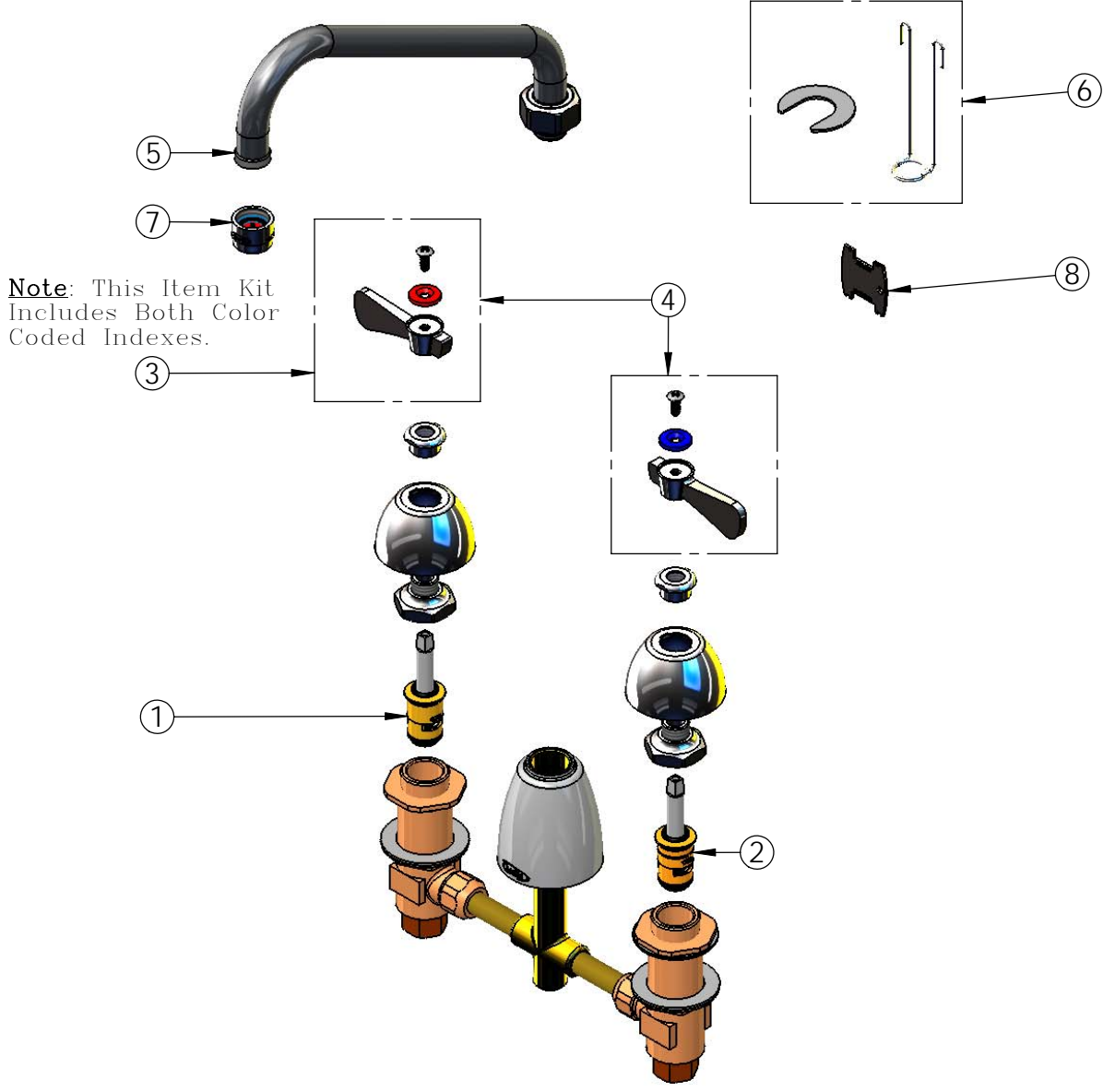
T&S BRASS AND BRONZE WORKS, INC.
2 Saddleback Cove, P.O. Box 1088
Travelers Rest, South Carolina 29690

Phone: 800.476.4103 Fax: 800.834.3518, Simi Valley 800.423.0750



REG. #A2601
ISO #9001

ITEM NO.	SALES NO.	DESCRIPTION
1	Q015385-40	Long Ceramic Cartridge, Hot
2	Q015386-40	Long Ceramic Cartridge, Cold
3	Q015973-40	Lever Handle, 1-Pack Kit
4	Q015972-40	Lever Handle, 2-Pack Kit
5	Q015376-40	9 1/2" Swing Spout (SS-D)
6	Q015984-45	Trim Installation Package
7	Q016076-45	Aerator, 2.2 GPM VR Female w/ Key
8	Q015425-45	Vandal Resistant Key



Model Number Q-858YD-5A	Date 6/3/08	Scale 1:4	Drawn JRM	Checked GEF	Approved JHB
----------------------------	----------------	--------------	--------------	----------------	-----------------



Product Specifications:
 8" Widespread Mixing Faucet, Ceramic Cartridges,
 Lever Handles, 9 1/2" Swing Spout (SS-D),
 2.2 GPM VR Aerator



T&S BRASS AND BRONZE WORKS, INC.
 2 Saddleback Cove, P.O. Box 1088
 Travelers Rest, South Carolina 29690

Phone: 800.476.4103 Fax: 800.834.3518, Simi Valley 800.423.0750



REG. #A2601
 ISO #9001