



ADA COMPLIANT

*This Space for Architect/Engineer Approval*

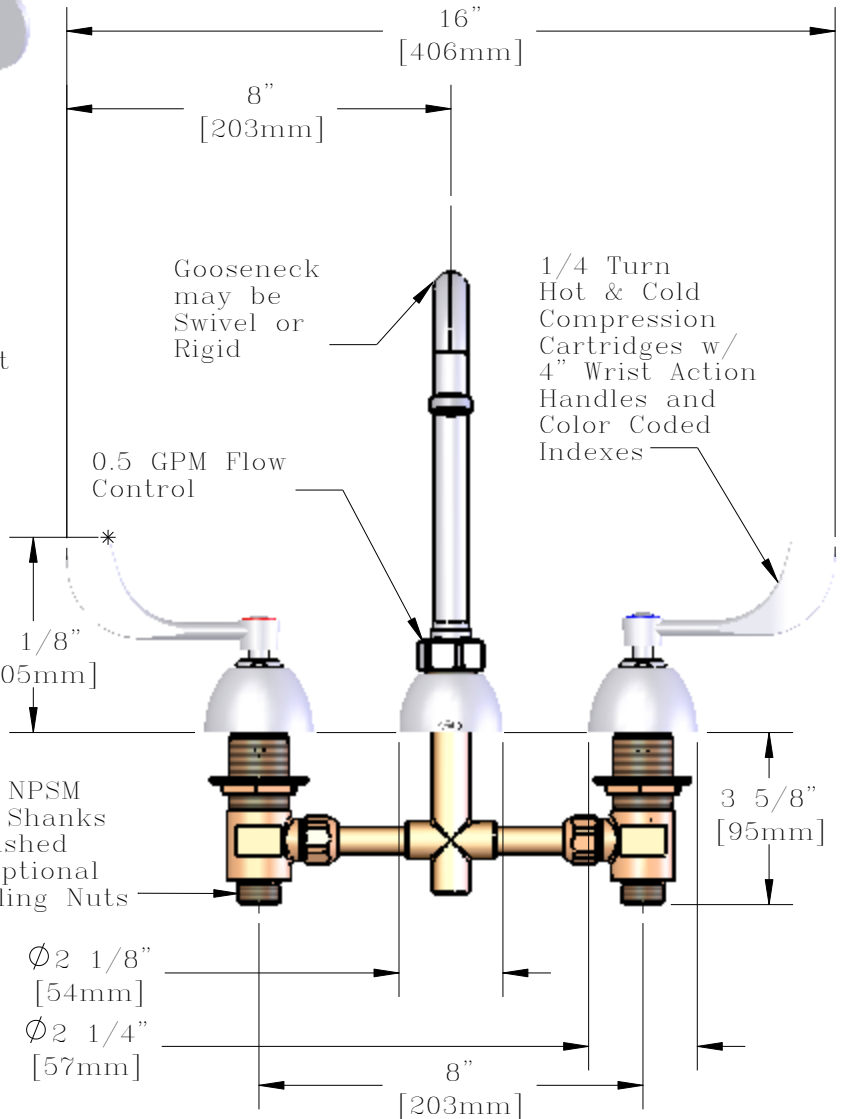
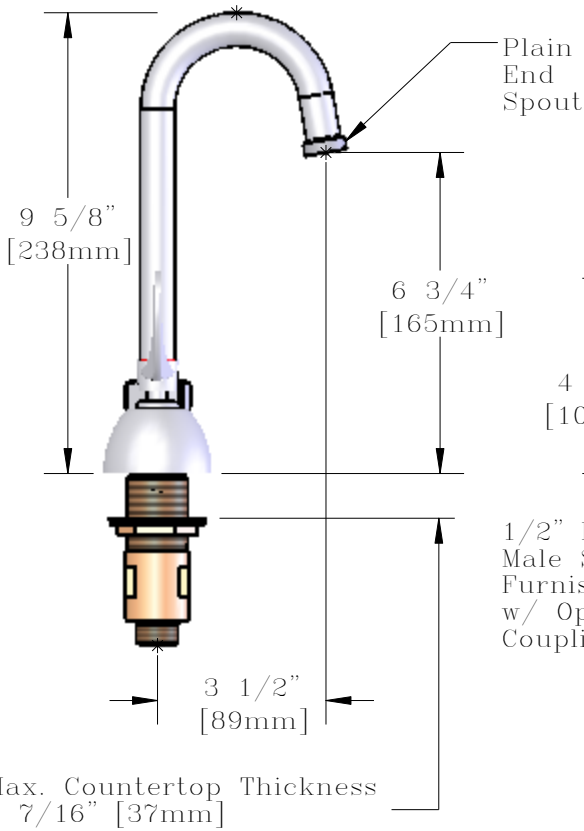
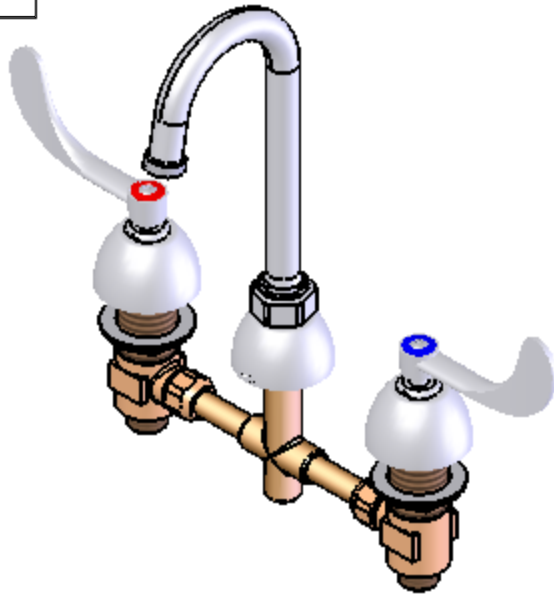
Job Name \_\_\_\_\_ Date \_\_\_\_\_

Model Specified \_\_\_\_\_ Quantity \_\_\_\_\_

Customer/Wholesaler \_\_\_\_\_

Contractor \_\_\_\_\_

Architect/Engineer \_\_\_\_\_



Model Number  
Q-859WA-5V

Date  
7/11/2006

Scale  
1:4

Drawn  
DHL

Checked  
JRM

Approved  
JHB



Product Specifications:  
8" Widespread Mixing Faucet, Compression Cartridges, Wrist Action Handles, 3 1/2" Gooseneck (GN-A), 0.5 GPM Flow Control



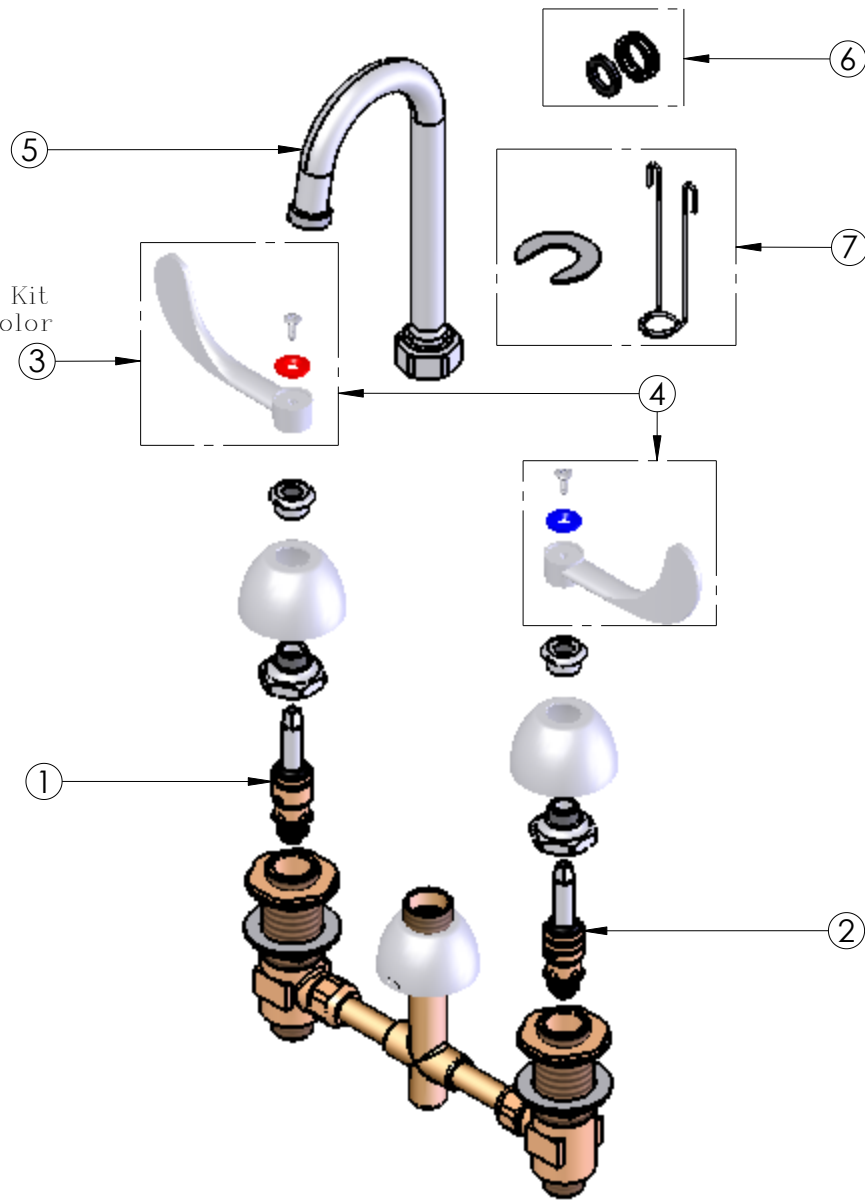
T&S BRASS AND BRONZE WORKS, INC.  
2 Saddleback Cove, P.O. Box 1088  
Travelers Rest, South Carolina 29690  
Phone: 800.476.4103 Fax: 800.834.3518, Simi Valley 800.423.0750



REG. #A2601  
ISO #9001

ITEM NO.	SALES NO.	DESCRIPTION
1	Q015389-40	Long Compression Cartridge, Hot
2	Q015390-40	Long Compression Cartridge, Cold
3	Q015975-40	Wrist Action Handle, 1-Pack Kit
4	Q015974-40	Wrist Action Handle, 2-Pack Kit
5	Q016125-40	3 1/2" Gooseneck (GN-A) w/ 0.5 GPM Flow Control & Spout Ring
6	Q016062-45	GN Swivel/Rigid Kit
7	Q015984-45	Trim Installation Package

Note: This Item Kit Includes Both Color Coded Indexes.



Model Number  
Q-859WA-5V

Date  
7/11/2006

Scale  
1:4

Drawn  
DHL

Checked  
JRM

Approved  
JHB



Product Specifications:  
8" Widespread Mixing Faucet, Compression Cartridges,  
Wrist Action Handles, 3 1/2" Gooseneck (GN-A),  
0.5 GPM Flow Control



T&S BRASS AND BRONZE WORKS, INC.  
2 Saddleback Cove, P.O. Box 1088  
Travelers Rest, South Carolina 29690

Phone: 800.476.4103 Fax: 800.834.3518, Simi Valley 800.423.0750



REG. #A2601  
ISO #9001