



ADA COMPLIANT

This Space for Architect/Engineer Approval

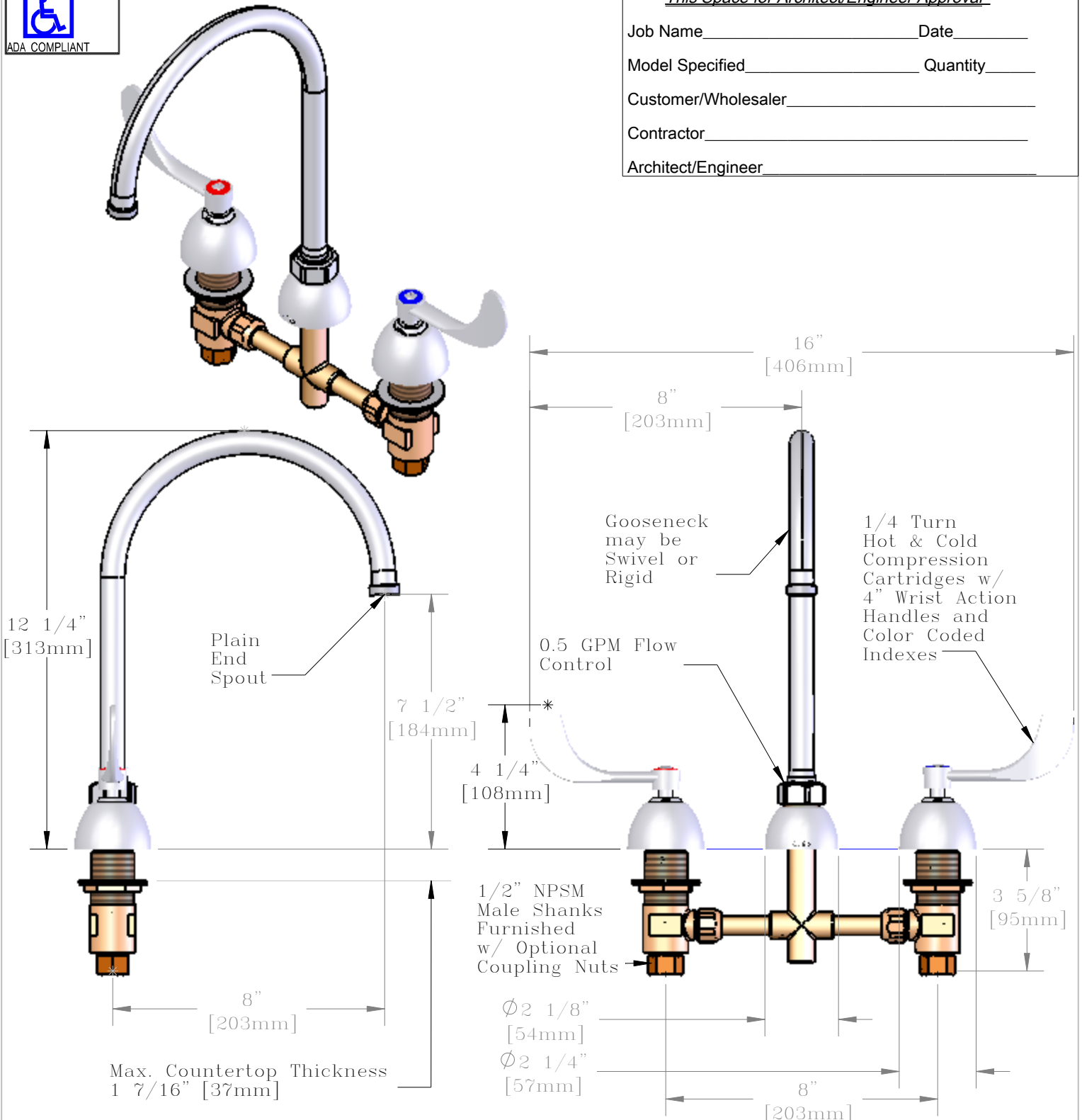
Job Name _____ Date _____

Model Specified _____ Quantity _____

Customer/Wholesaler _____

Contractor _____

Architect/Engineer _____



Model Number Q-859WC-5V	Date 7/11/2006	Scale 1:4	Drawn DHL	Checked JRM	Approved JHB
----------------------------	-------------------	--------------	--------------	----------------	-----------------

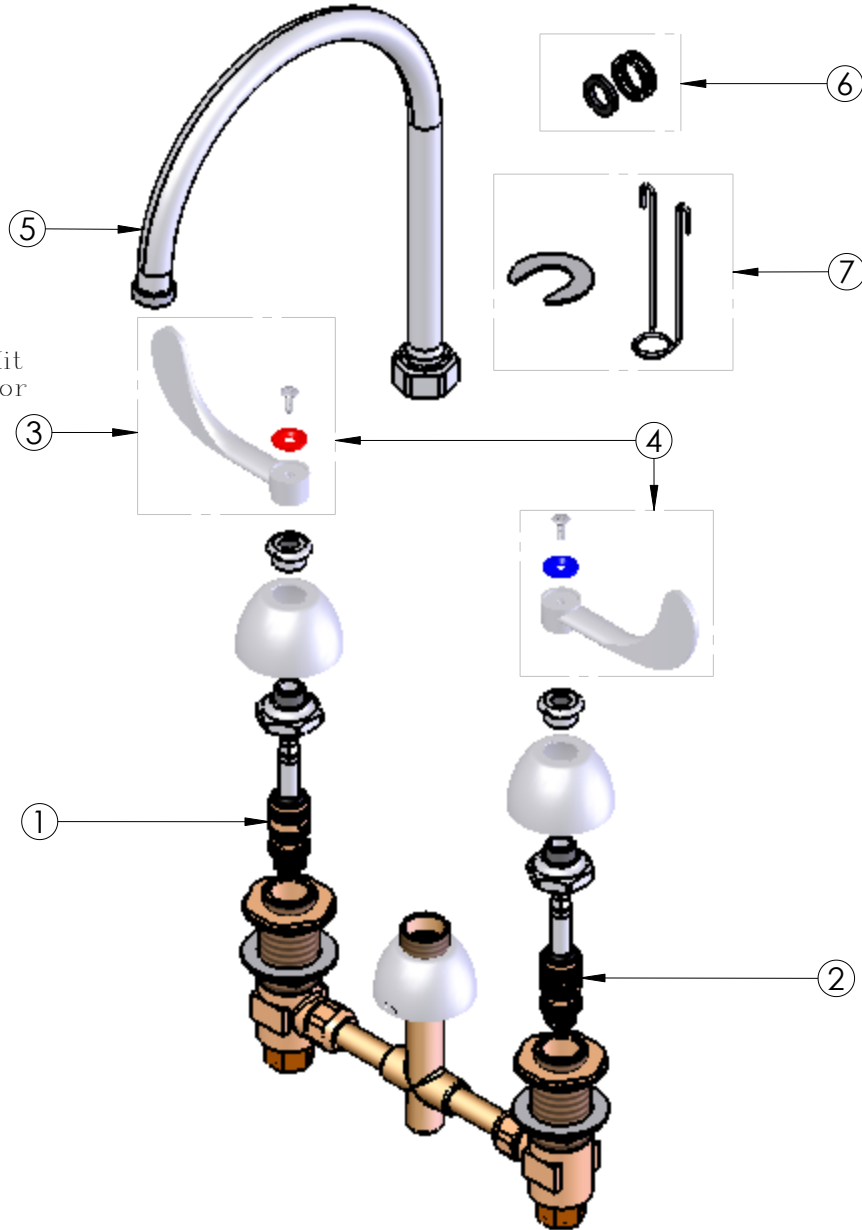


Product Specifications:
8" Widespread Mixing Faucet, Compression Cartridges, Wrist Action Handles, 8" Gooseneck (GN-C), 0.5 GPM Flow Control

T&S T&S BRASS AND BRONZE WORKS, INC.
 2 Saddleback Cove, P.O. Box 1088
 Travelers Rest, South Carolina 29690
 Phone: 800.476.4103 Fax: 800.834.3518, Simi Valley 800.423.0750

UL REGISTERED PARTY
 REG. #A2601
 ISO #9001

ITEM NO.	SALES NO.	DESCRIPTION
1	Q015389-40	Long Compression Cartridge, Hot
2	Q015390-40	Long Compression Cartridge, Cold
3	Q015975-40	Wrist Action Handle, 1-Pack Kit
4	Q015974-40	Wrist Action Handle, 2-Pack Kit
5	Q016115-40	8" Gooseneck (GN-C) w/ 0.5 GPM Flow Control & Spout Ring
6	Q016062-45	GN Swivel/Rigid Kit
7	Q015984-45	Trim Installation Package



Note: This Item Kit Includes Both Color Coded Indexes.

Model Number Q-859WC-5V	Date 7/11/2006	Scale 1:4	Drawn DHL	Checked JRM	Approved JHB
----------------------------	-------------------	--------------	--------------	----------------	-----------------



Product Specifications:
8" Widespread Mixing Faucet, Compression Cartridges,
Wrist Action Handles, 8" Gooseneck (GN-C),
0.5 GPM Flow Control



T&S BRASS AND BRONZE WORKS, INC.
2 Saddleback Cove, P.O. Box 1088
Travelers Rest, South Carolina 29690

Phone: 800.476.4103 Fax: 800.834.3518, Simi Valley 800.423.0750



REG. #A2601
ISO #9001