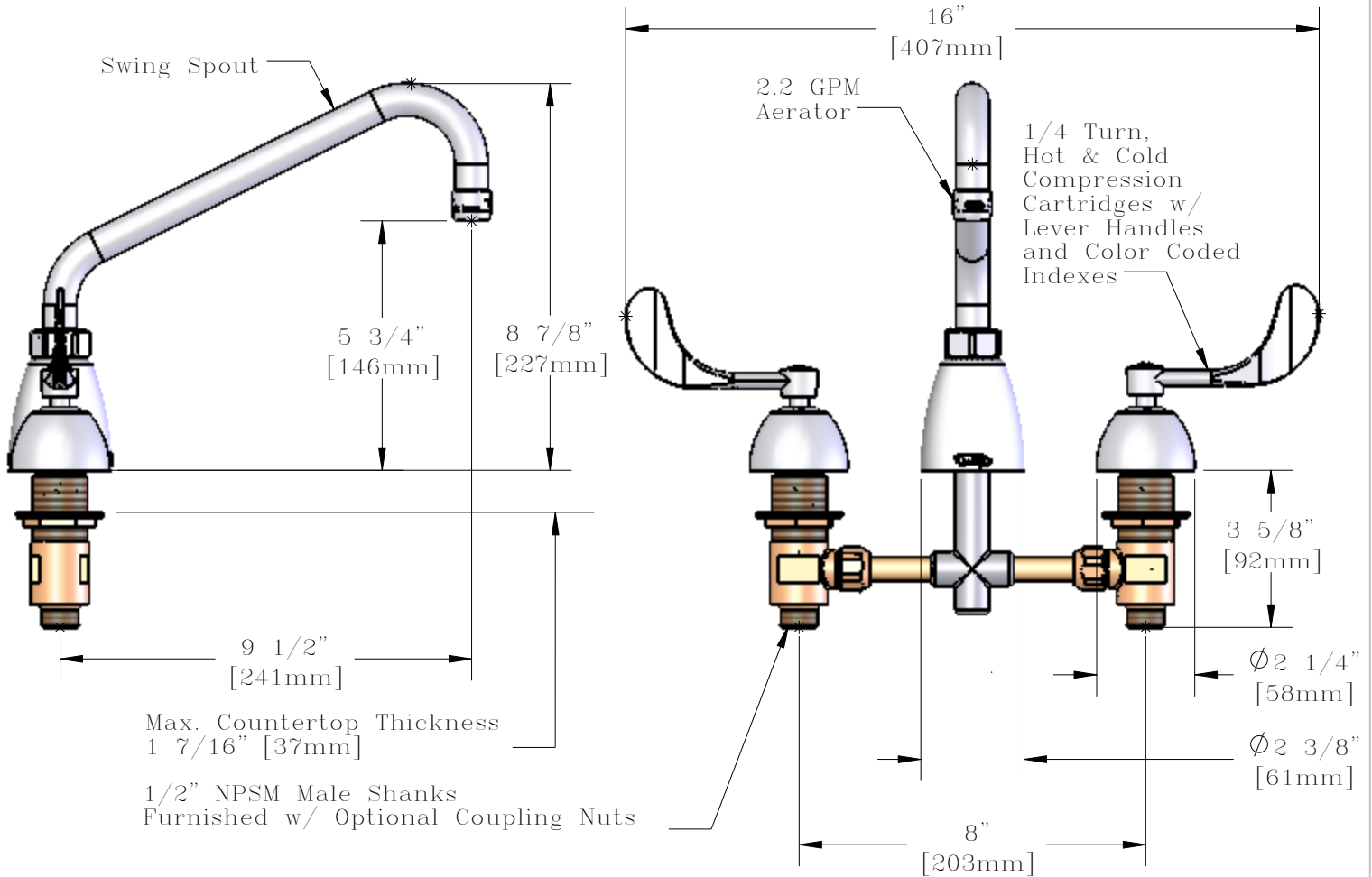


This Space for Architect/Engineer Approval

Job Name _____ Date _____
 Model Specified _____ Quantity _____
 Customer/Wholesaler _____
 Contractor _____
 Architect/Engineer _____

Available Options

Model Suffix #	Description
<input type="checkbox"/> -5A	2.2 GPM VR Aerator
<input type="checkbox"/> -5B	0.5 GPM Aerator
<input type="checkbox"/> -5C	0.5 GPM VR Aerator
<input type="checkbox"/> -5D	2.2 GPM Laminar Flow
<input type="checkbox"/> -VR5C	Complete VR Pkg (0.5 GPM)
<input type="checkbox"/> -VR5A	Complete VR Pkg (2.2 GPM)



Model Number Q-859WD	Date 10/23/2006	Scale 1:4	Drawn DHL	Checked JRM	Approved JHB
--------------------------------	---------------------------	---------------------	---------------------	-----------------------	------------------------



Product Specifications:
8" Widespread Mixing Faucet, Compression Cartridges, Wrist Action Handles, 9 1/2" Swing Spout (SS-D), 2.2 GPM Aerator



T&S BRASS AND BRONZE WORKS, INC.
 2 Saddleback Cove, P.O. Box 1088
 Travelers Rest, South Carolina 29690

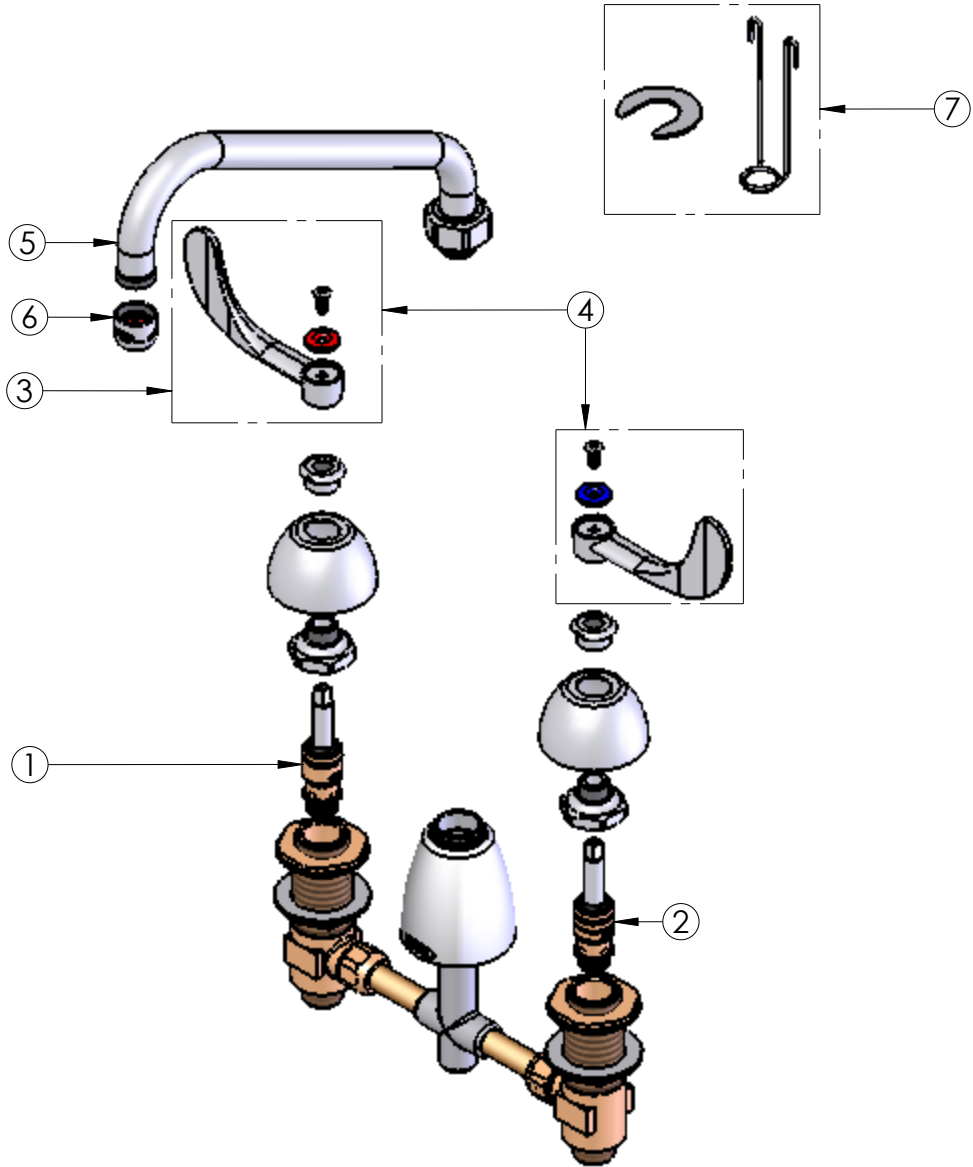
Phone: 800.476.4103 Fax: 800.834.3518, Simi Valley 800.423.0750



REG. #A2601
 ISO #9001

ITEM NO.	SALES NO.	DESCRIPTION
1	Q015389-40	Long Compression Cartridge, Hot
2	Q015390-40	Long Compression Cartridge, Cold
3	Q015975-40	Wrist Action Handle, 1-Pack Kit
4	Q015974-40	Wrist Action Handle, 2-Pack Kit
5	Q015376-40	9 1/2" Swing Spout (SS-D)
6	Q014986-45	Aerator, Female, 2.2 GPM
7	Q015984-45	Trim Installation Package

Note: This Item Kit Includes Both Color Coded Indexes.



Model Number
Q-859WD

Date
10/23/2006

Scale
1:4

Drawn
DHL

Checked
JRM

Approved
JHB



Product Specifications:
8" Widespread Mixing Faucet, Compression Cartridges,
Wrist Action Handles, 9 1/2" Swing Spout (SS-D),
2.2 GPM Aerator



T&S BRASS AND BRONZE WORKS, INC.
2 Saddleback Cove, P.O. Box 1088
Travelers Rest, South Carolina 29690
Phone: 800.476.4103 Fax: 800.834.3518, Simi Valley 800.423.0750



REG. #A2601
ISO #9001