



ADA COMPLIANT



*This Space for Architect/Engineer Approval*

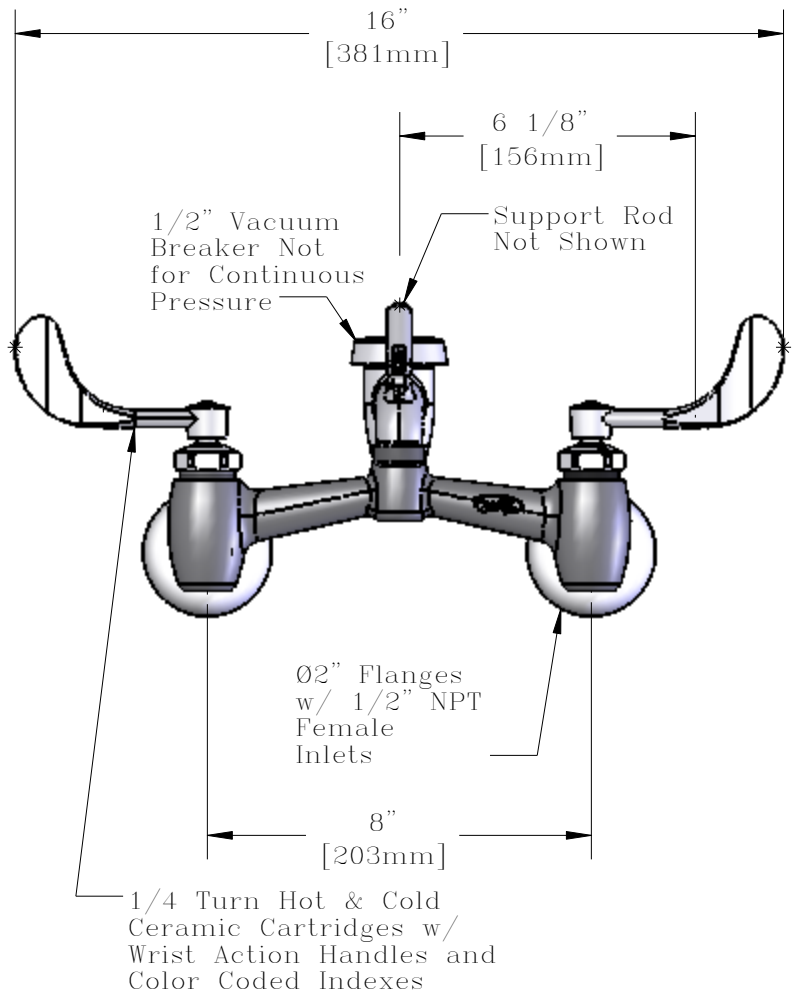
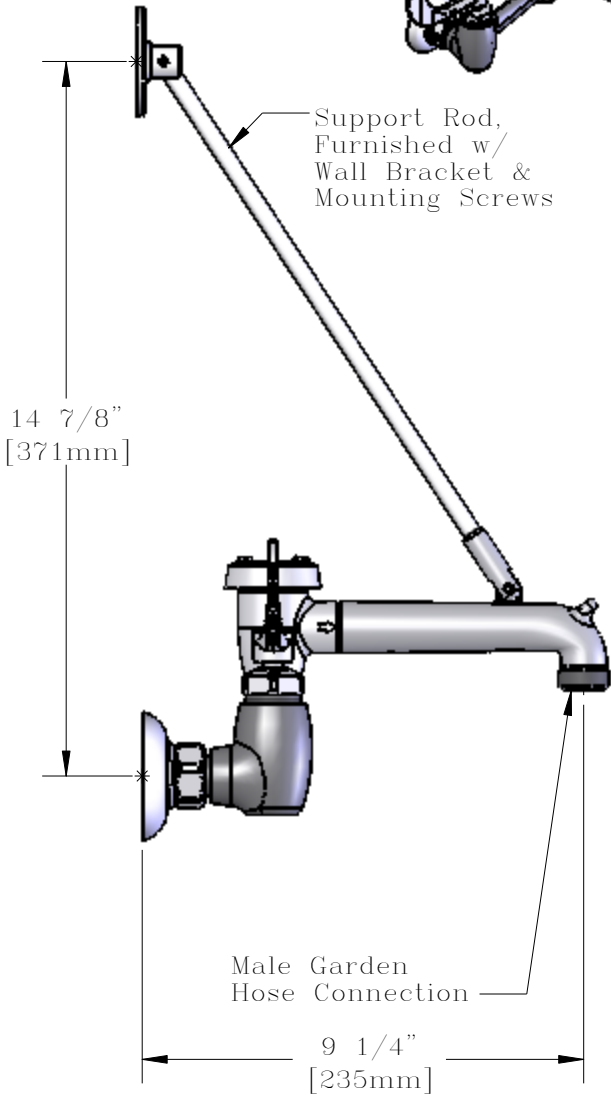
Job Name \_\_\_\_\_ Date \_\_\_\_\_

Model Specified \_\_\_\_\_ Quantity \_\_\_\_\_

Customer/Wholesaler \_\_\_\_\_

Contractor \_\_\_\_\_

Architect/Engineer \_\_\_\_\_



Model Number  
Q-938WT-R

Date  
7/11/2006

Scale  
1:4

Drawn  
DHL

Checked  
JRM

Approved  
JHB



Product Specifications:

Service Sink, Inlet Stops, Ceramic Cartridges,  
Wrist Action Handles, Rough Chrome



T&S BRASS AND BRONZE WORKS, INC.  
2 Saddleback Cove, P.O. Box 1088  
Travelers Rest, South Carolina 29690

Phone: 800.476.4103 Fax: 800.834.3518, Simi Valley 800.423.0750

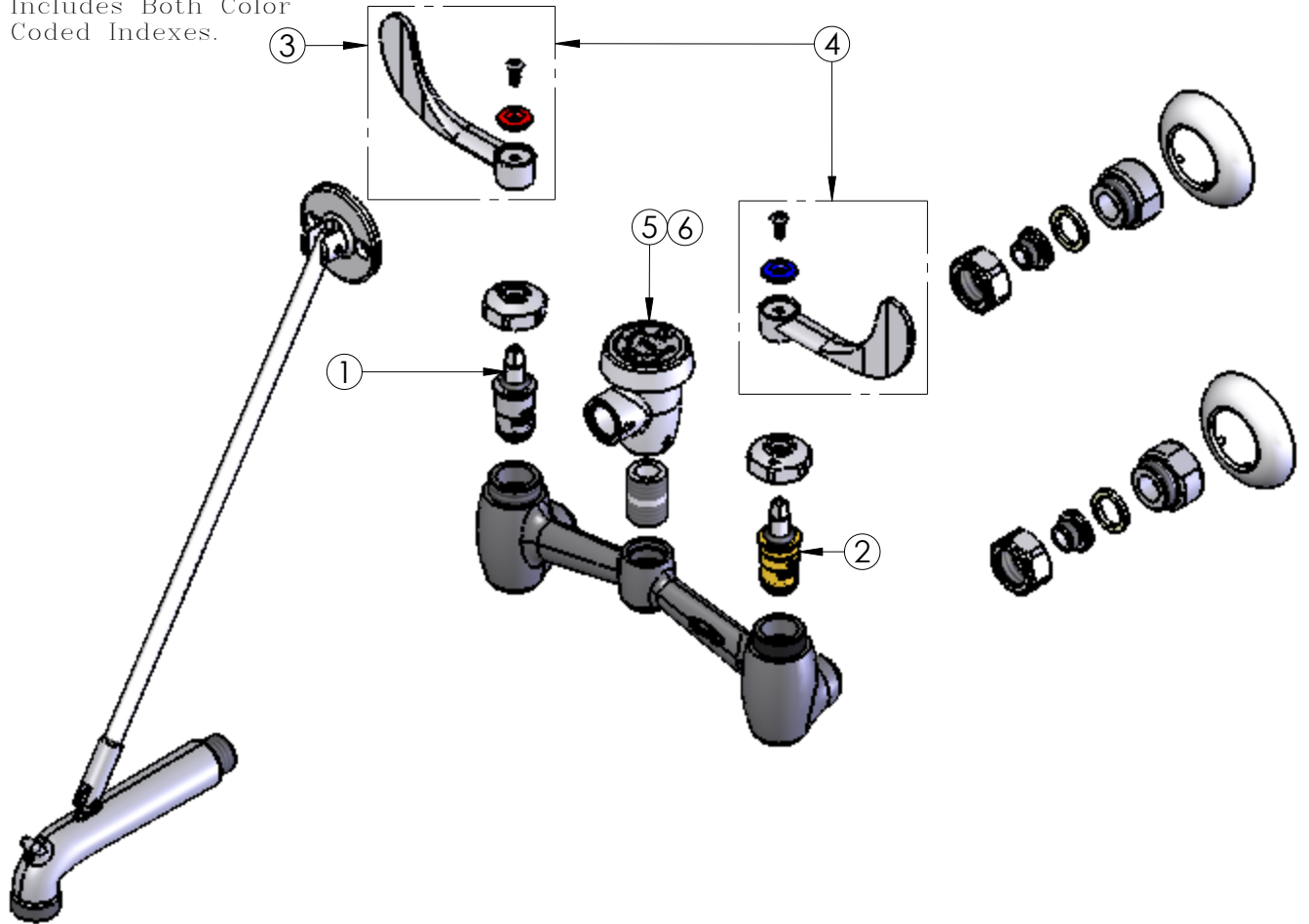


REG. #A2601  
ISO #9001

SHEET: 1 of 2

ITEM	SALES NO.	DESCRIPTION
1	Q015383-40	Standard Ceramic Cartridge, Hot
2	Q015384-40	Standard Ceramic Cartridge, Cold
3	Q015975-40	Wrist Action Handle, 1-Pack Kit
4	Q015974-40	Wrist Action Handle, 2-Pack Kit
5	Q015484-45	1/2 Vacuum Breaker- Qualis
6	Q012600-45	Repair Kit for 1/2" Vacuum Breaker

Note: This Item Kit Includes Both Color Coded Indexes.



Model Number  
Q-938WT-R

Date  
7/11/2006

Scale  
1:4

Drawn  
DHL

Checked  
JRM

Approved  
JHB



Product Specifications:

Service Sink, Inlet Stops, Ceramic Cartridges,  
Wrist Action Handles, Rough Chrome



T&S BRASS AND BRONZE WORKS, INC.  
2 Saddleback Cove, P.O. Box 1088  
Travelers Rest, South Carolina 29690

Phone: 800.476.4103 Fax: 800.834.3518, Simi Valley 800.423.0750



REG. #A2601  
ISO #9001