

This Space for Architect/Engineer Approval

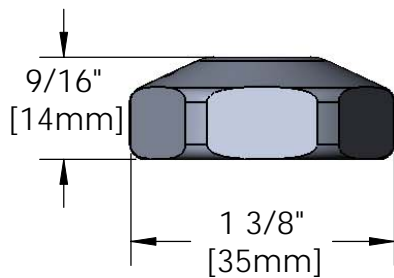
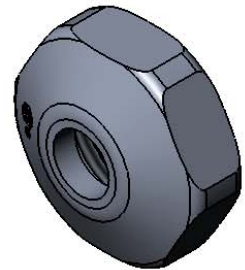
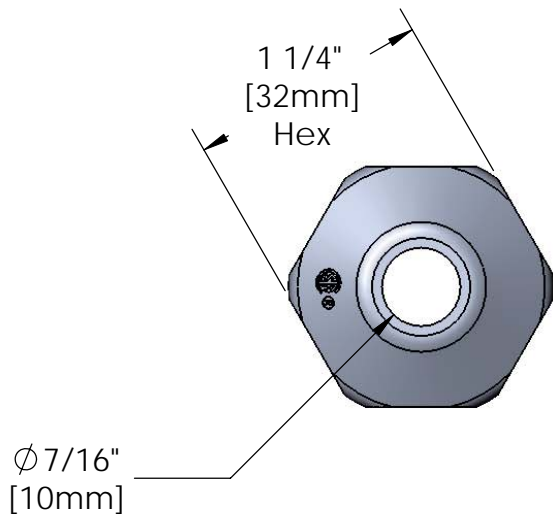
Job Name _____ Date _____

Model Specified _____ Quantity _____

Customer/Wholesaler _____

Contractor _____

Architect/Engineer _____



Finish: Chrome Plate

Model Number Q015017-40	Date 02/17/09	Scale 1:1	Drawn JRM	Checked GEF	Approved JHB
----------------------------	------------------	--------------	--------------	----------------	-----------------



Product Specifications:

Bonnet Nut



T&S BRASS AND BRONZE WORKS, INC.
2 Saddleback Cove, P.O. Box 1088
Travelers Rest, South Carolina 29690

Phone: 800.476.4103 Fax: 800.834.3518, Simi Valley 800.423.0750



REG. #A2601
ISO #9001