

This Space for Architect/Engineer Approval

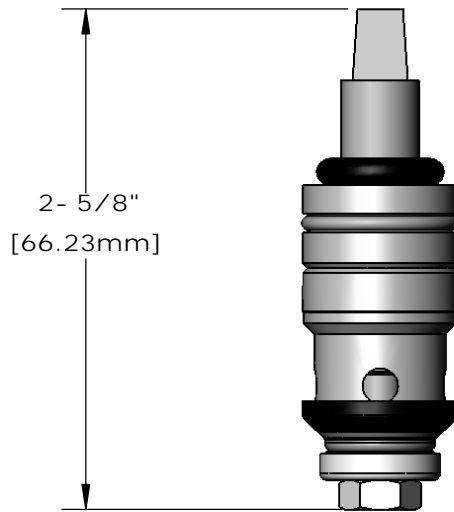
Job Name _____ Date _____

Model Specified _____ Quantity _____

Customer/Wholesaler _____

Contractor _____

Architect _____



Model Number Q015388-40	Date 3/10/2006	Scale 1:1	Drawn JRM	Checked WJS	Approved JHB
----------------------------	-------------------	--------------	--------------	----------------	-----------------



Product Specifications:

LTC, C-CW, COLD SIDE
COMPRESSION



T&S BRASS AND BRONZE WORKS, INC.
2 Saddleback Cove, P.O. Box 1088
Travelers Rest, South Carolina 29690

Phone: 800.476.4103 Fax: 800.834.3518, Simi Valley 800.423.0750



REG. #A2601
ISO #9001