

This Space for Architect/Engineer Approval

Job Name _____ Date _____

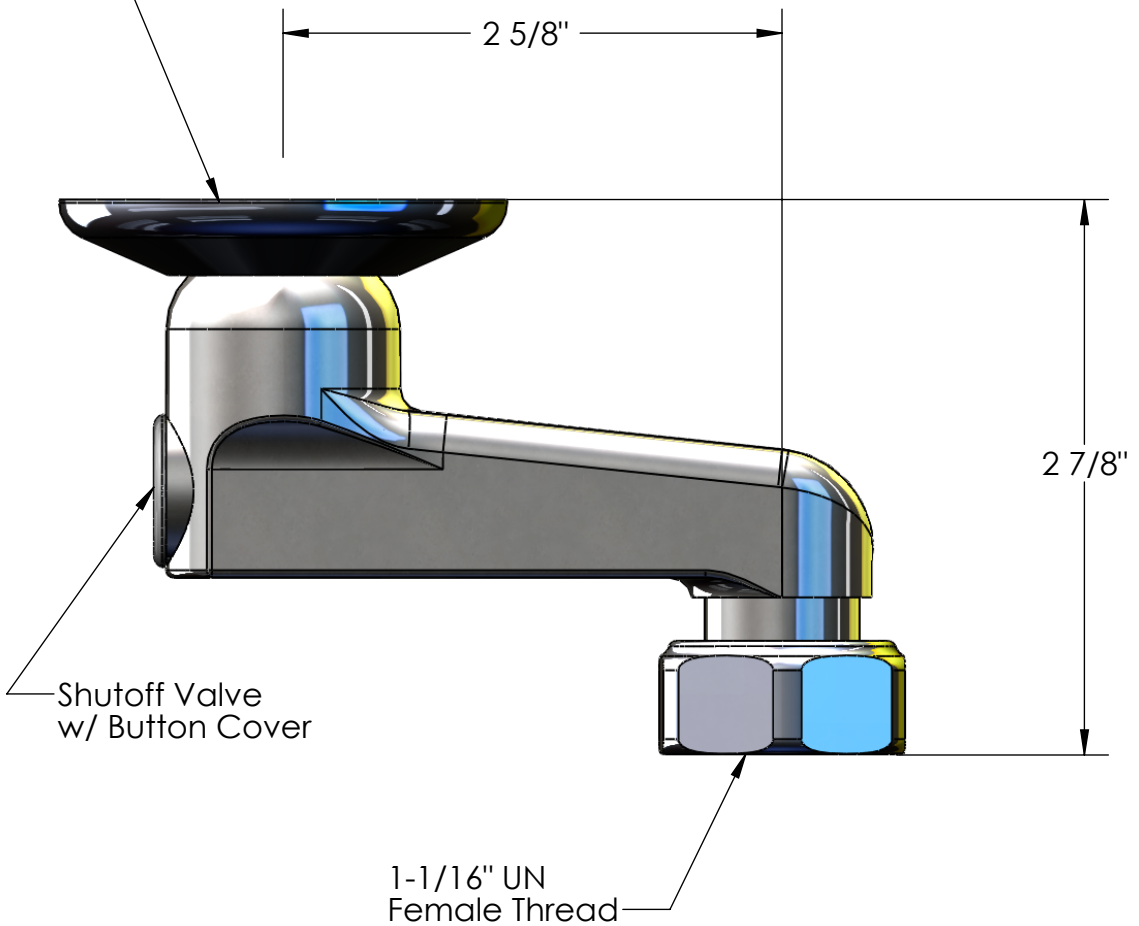
Model Specified _____ Quantity _____

Customer/Wholesaler _____

Contractor _____

Architect/Engineer _____

2" Wall Flange
w/ 1/2" NPSM
Female Inlet



Model Number
Q015473-25

Date
04/04/08

Scale
1:1

Drawn
JRM

Checked
GEF

Approved
JHB



Product Specifications:

2-1/2" Supply Arm
w/ Integral Stop-Rough Chrome



T&S BRASS AND BRONZE WORKS, INC.
2 Saddleback Cove, P.O. Box 1088
Travelers Rest, South Carolina 29690
Phone: 800.476.4103 Fax: 800.834.3518, Simi Valley 800.423.0750



REG. #A2601
ISO #9001