

*This Space for Architect/Engineer Approval*

Job Name \_\_\_\_\_ Date \_\_\_\_\_

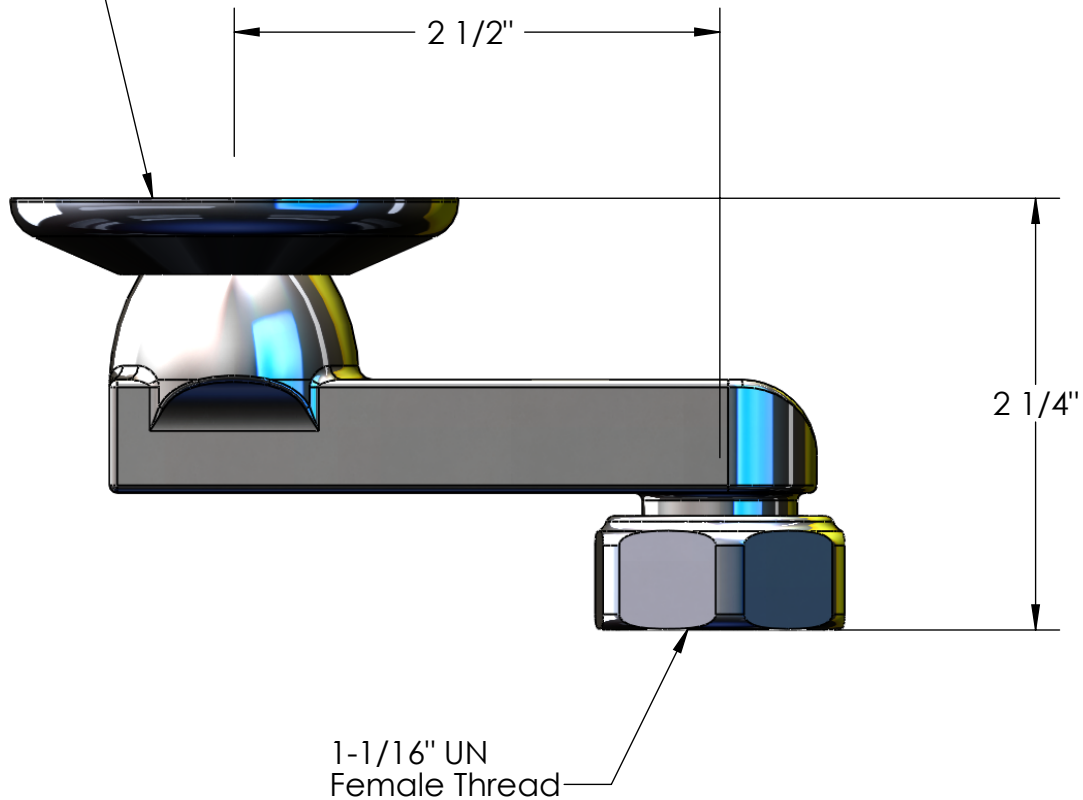
Model Specified \_\_\_\_\_ Quantity \_\_\_\_\_

Customer/Wholesaler \_\_\_\_\_

Contractor \_\_\_\_\_

Architect/Engineer \_\_\_\_\_

2" Wall Flange  
w/ 1/2" NPT  
Female Inlet



Model Number  
Q015478-40

Date  
04/04/08

Scale  
1:1

Drawn  
JRM

Checked  
GEF

Approved  
JHB



Product Specifications:

2-1/2" Supply Arm - Polished Chrome



T&S BRASS AND BRONZE WORKS, INC.  
2 Saddleback Cove, P.O. Box 1088  
Travelers Rest, South Carolina 29690

Phone: 800.476.4103 Fax: 800.834.3518, Simi Valley 800.423.0750



REG. #A2601  
ISO #9001