

This Space for Architect/Engineer Approval

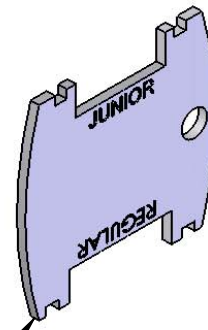
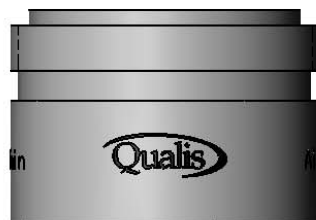
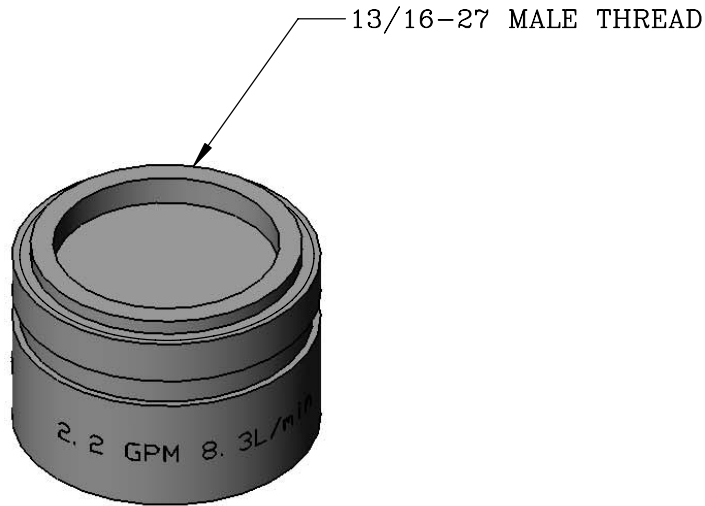
Job Name _____ Date _____

Model Specified _____ Quantity _____

Customer/Wholesaler _____

Contractor _____

Architect _____



VANDAL RESISTANT
TOOL INCLUDED

Model Number Q015563-45	Date 3/13/2006	Scale 2:1	Drawn DHL	Checked JRM	Approved JHB
----------------------------	-------------------	--------------	--------------	----------------	-----------------



Product Specifications:

2.2 GPM VANDAL RESISTANT
MALE AERATOR



T&S BRASS AND BRONZE WORKS, INC.
2 Saddleback Cove, P.O. Box 1088
Travelers Rest, South Carolina 29690
Phone: 800.476.4103 Fax: 800.834.3518, Simi Valley 800.423.0750



REG. #A2601
ISO #9001