

This Space for Architect/Engineer Approval

Job Name _____ Date _____

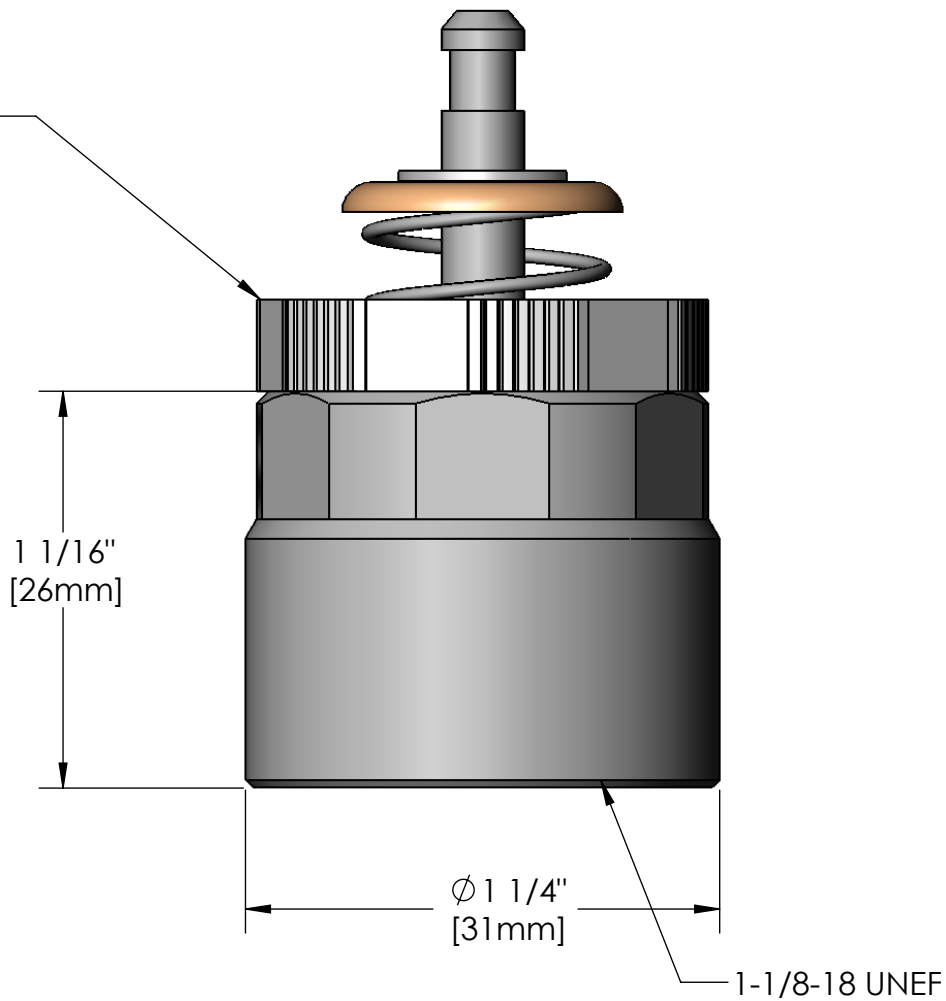
Model Specified _____ Quantity _____

Customer/Wholesaler _____

Contractor _____

Architect _____

Adjustable
Timing Nut



Model Number Q015991-40	Date 12/15/07	Scale 2:1	Drawn JRM	Checked GEF	Approved JHB
----------------------------	------------------	--------------	--------------	----------------	-----------------

	<p>Product Specifications:</p> <p style="text-align: center;">Metering Cartridge Upper Repair Kit</p>
	<p style="text-align: center;"> T&S BRASS AND BRONZE WORKS, INC. 2 Saddleback Cove, P.O. Box 1088 Travelers Rest, South Carolina 29690 Phone: 800.476.4103 Fax: 800.834.3518, Simi Valley 800.423.0750 </p>



REG. #A2601
ISO #9001