

*This Space for Architect/Engineer Approval*

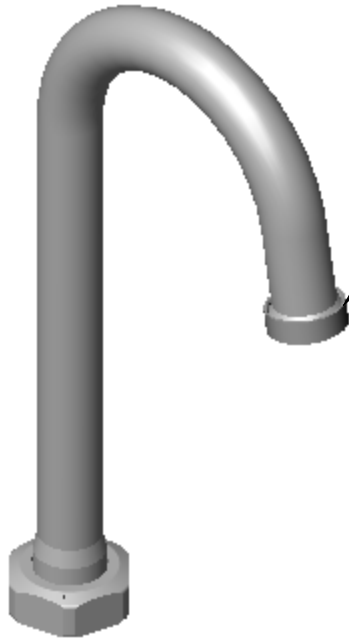
Job Name \_\_\_\_\_ Date \_\_\_\_\_

Model Specified \_\_\_\_\_ Quantity \_\_\_\_\_

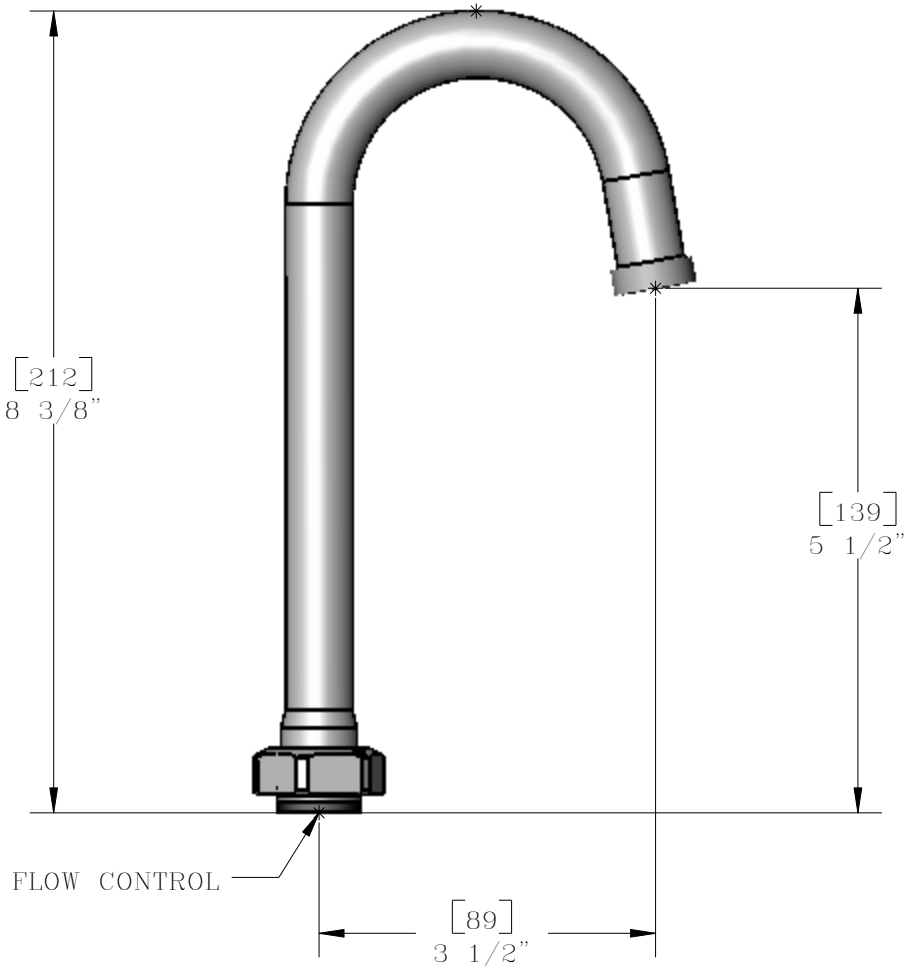
Customer/Wholesaler \_\_\_\_\_

Contractor \_\_\_\_\_

Architect \_\_\_\_\_



13/16-24 MALE THREAD  
 CONCEALED BY PLAIN-END  
 SPOUT RING



1.2 GPM FLOW CONTROL

Model Number Q016124-40	Date 7/11/2006	Scale 1:2	Drawn DHL	Checked JRM	Approved JHB
----------------------------	-------------------	--------------	--------------	----------------	-----------------



Product Specifications:  
 3 1/2" (GN-A) Gooseneck, Plain End  
 w/ 1.2 GPM Flow Control

**T&S** T&S BRASS AND BRONZE WORKS, INC.  
 2 Saddleback Cove, P.O. Box 1088  
 Travelers Rest, South Carolina 29690  
 Phone: 800.476.4103 Fax: 800.834.3518, Simi Valley 800.423.0750



REG. #A2601  
 ISO #9001