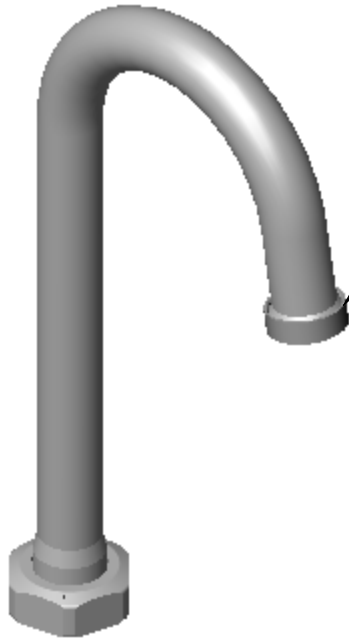
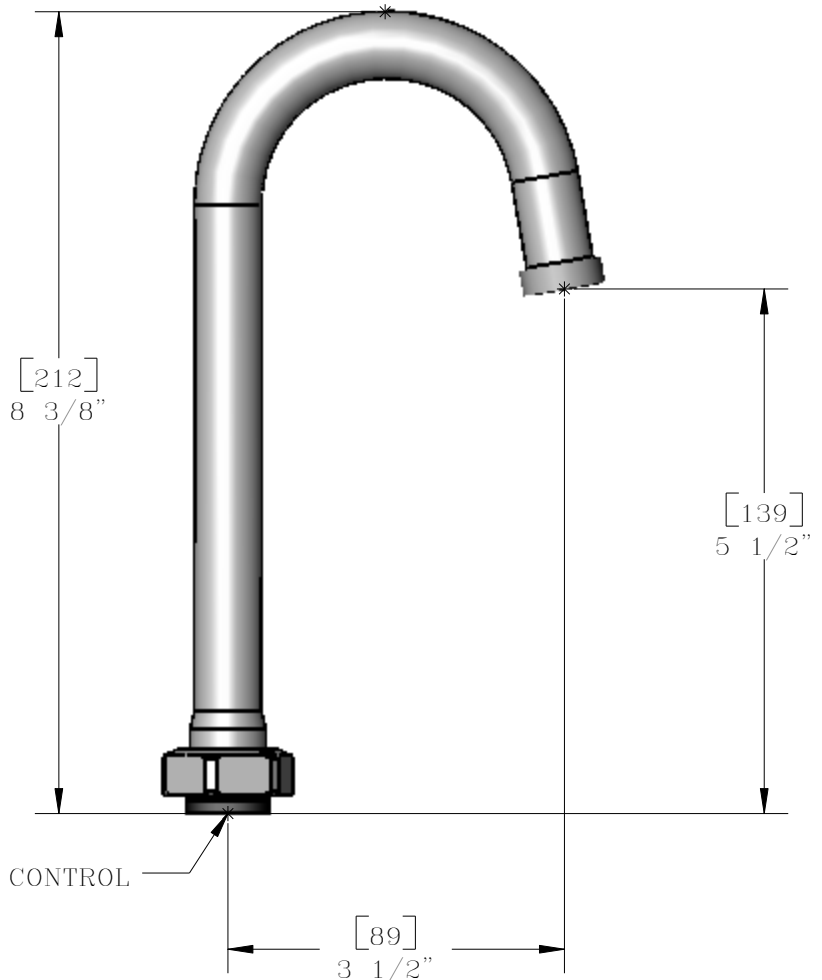


This Space for Architect/Engineer Approval

Job Name _____ Date _____
Model Specified _____ Quantity _____
Customer/Wholesaler _____
Contractor _____
Architect _____



13/16-24 MALE THREAD
CONCEALED BY PLAIN-END
SPOUT RING



Model Number
Q016125-40

Date
7/11/2006

Scale
1:2

Drawn
DHL

Checked
JRM

Approved
JHB



Product Specifications:

3 1/2" (GN-A) Gooseneck, Plain End
w/ 0.5 GPM Flow Control



T&S BRASS AND BRONZE WORKS, INC.
2 Saddleback Cove, P.O. Box 1088
Travelers Rest, South Carolina 29690
Phone: 800.476.4103 Fax: 800.834.3518, Simi Valley 800.423.0750



REG. #A2601
ISO #9001