

This Space for Architect/Engineer Approval

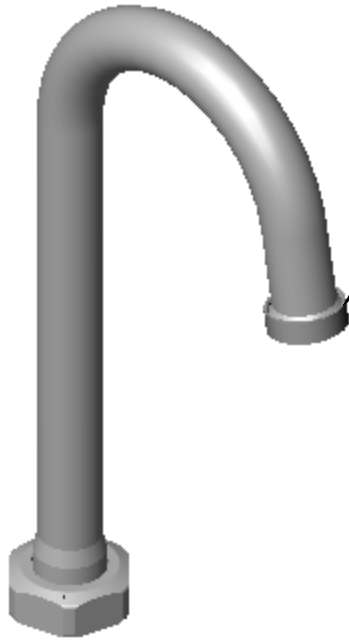
Job Name _____ Date _____

Model Specified _____ Quantity _____

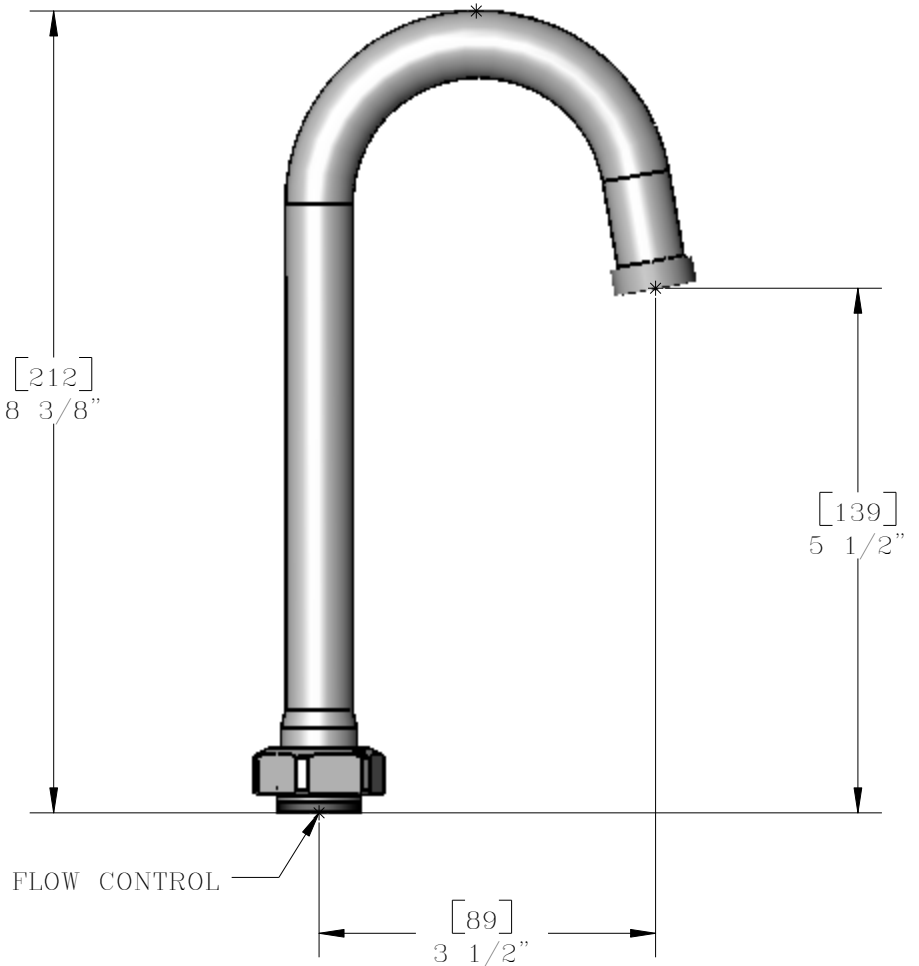
Customer/Wholesaler _____

Contractor _____

Architect _____



13/16-24 MALE THREAD
 CONCEALED BY PLAIN-END
 SPOUT RING



Model Number Q016233-40	Date 8/14/06	Scale 1:2	Drawn DHL	Checked JRM	Approved JHB
----------------------------	-----------------	--------------	--------------	----------------	-----------------



Product Specifications:
 3 1/2" (GN-A) Gooseneck, Plain End
 w/ 1.6 GPM Flow Control

T&S T&S BRASS AND BRONZE WORKS, INC.
 2 Saddleback Cove, P.O. Box 1088
 Travelers Rest, South Carolina 29690
 Phone: 800.476.4103 Fax: 800.834.3518, Simi Valley 800.423.0750



REG. #A2601
 ISO #9001