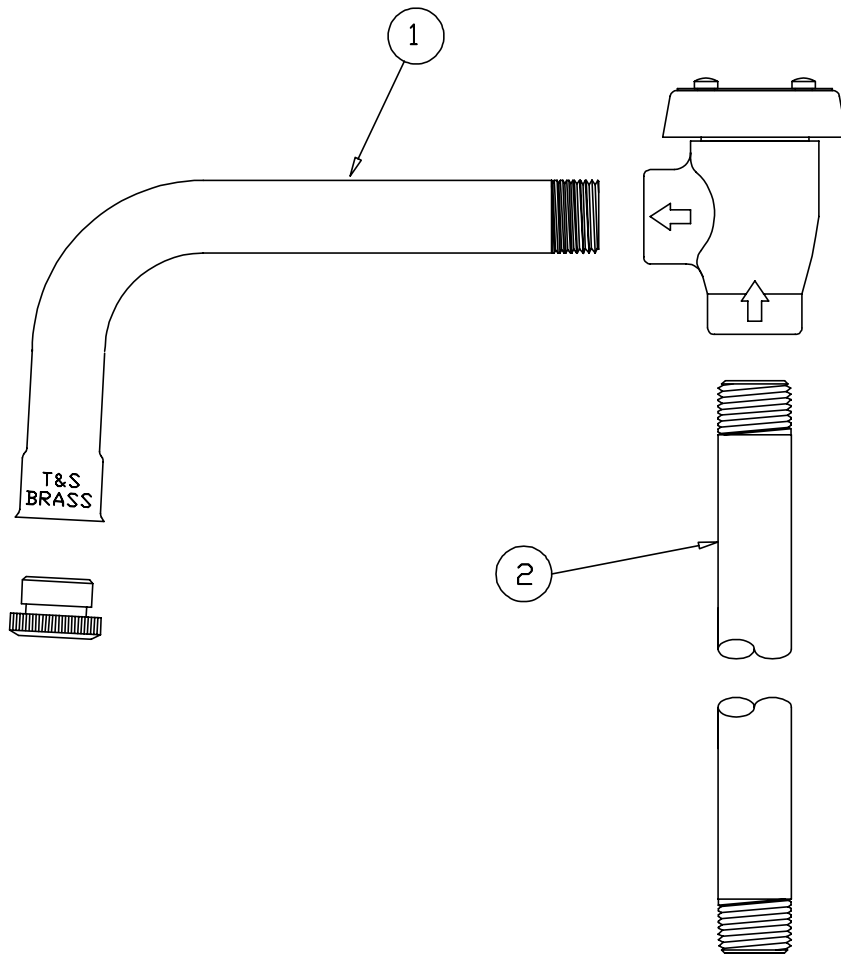


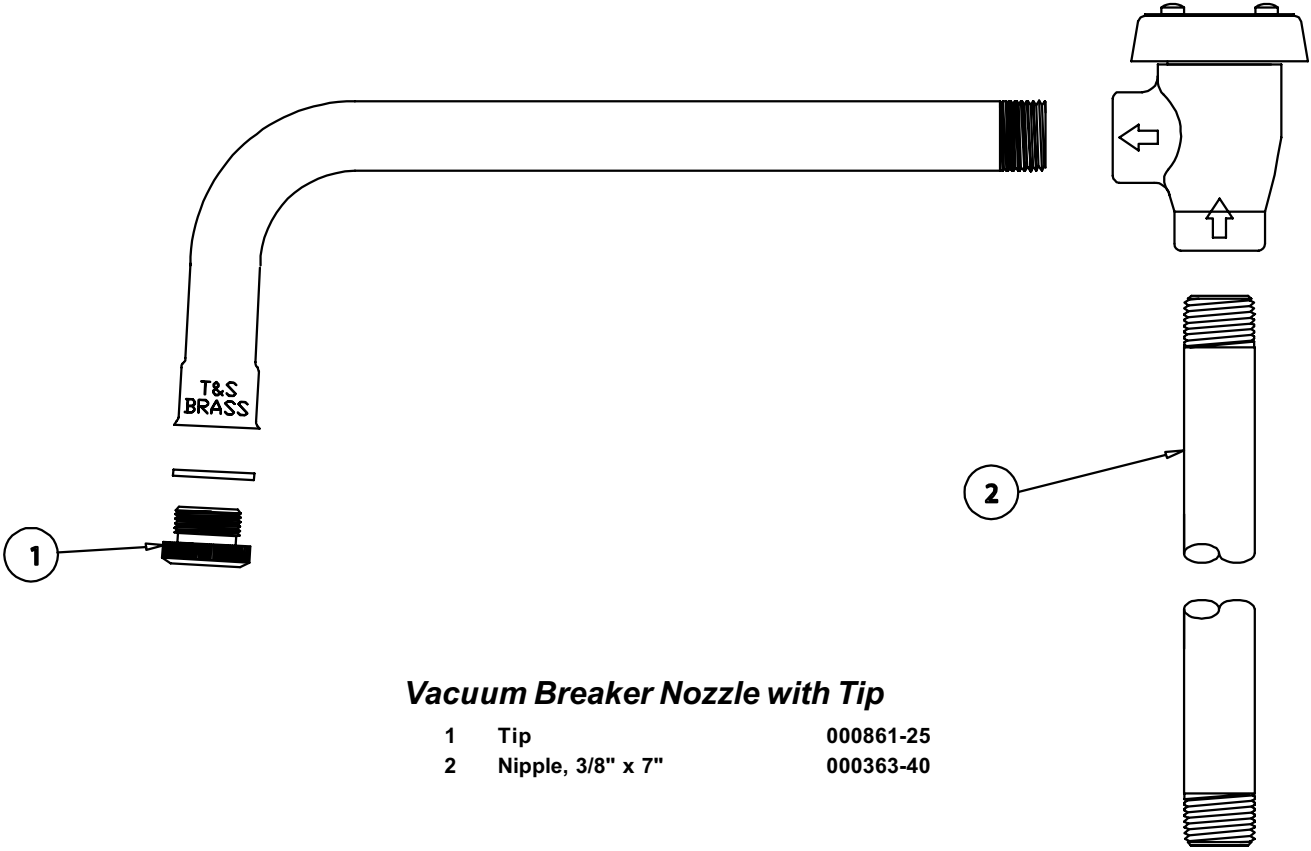
B-0405-02



Vacuum Breaker Nozzle

- | | | |
|---|-------------------|-----------|
| 1 | Nozzle, 6" | 000387-40 |
| 2 | Nipple, 3/8" x 7" | 000363-40 |

B-0405-03

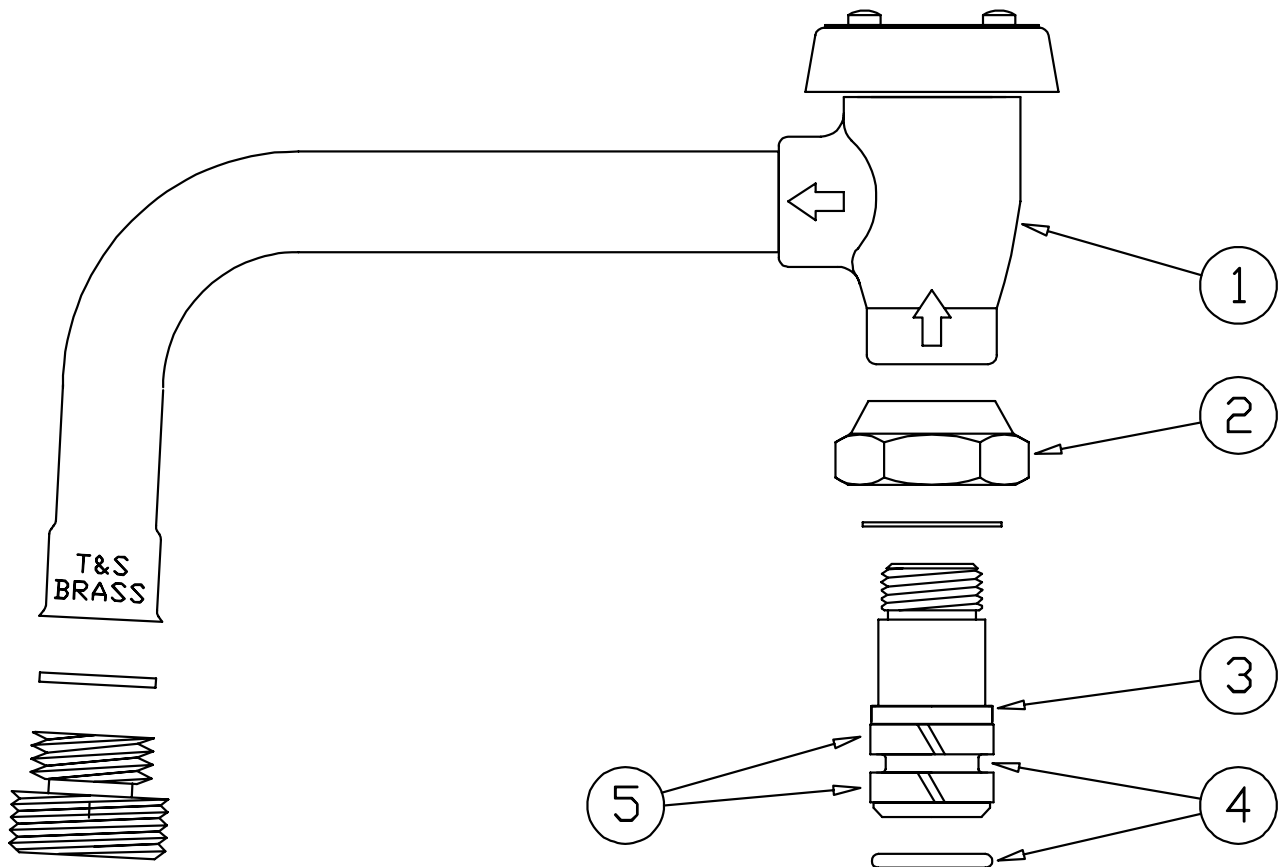


Vacuum Breaker Nozzle with Tip

- 1 Tip 000861-25
- 2 Nipple, 3/8" x 7" 000363-40



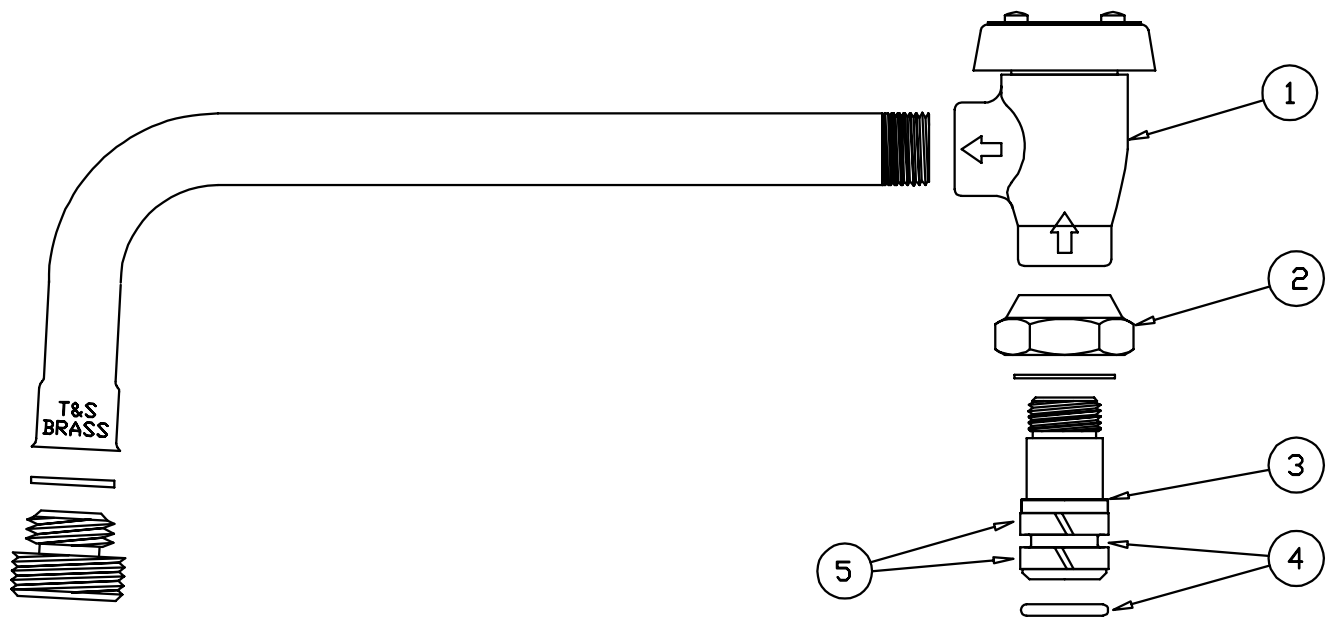
B-0409-02



Vacuum Breaker Swing Nozzle

1	Asm, Nozzle, Vacuum Breaker	B-0968
2	Nut, Swing Adapter	000711-40
3	Adapter, Swing	000843-25
4	O-Ring, Swing	001074-45
5	Sleeve, Swing	011429-45

B-0409-03

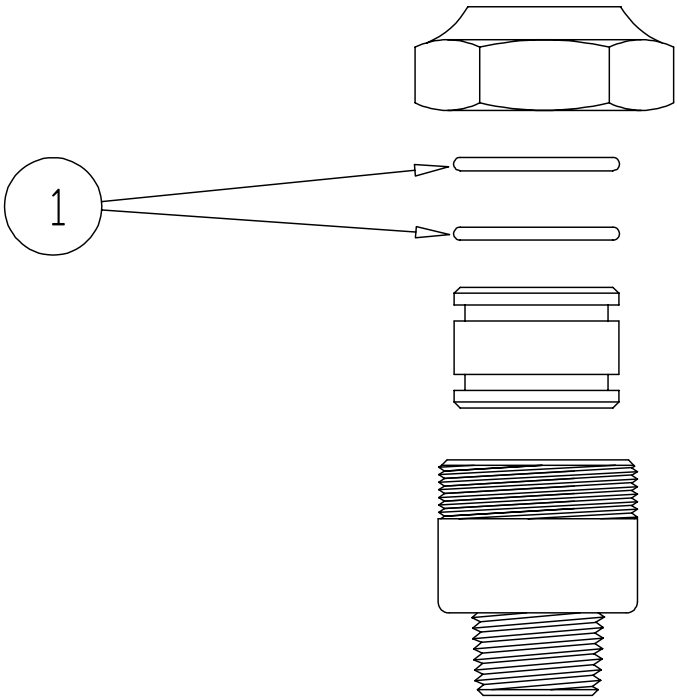


Vacuum Breaker Swing Nozzle

1	Asm, Vacuum Breaker	B-0968
2	Nut, Swing Adapter	000711-40
3	Adapter, Swing	000843-25
4	O-Ring, Swing	001074-45
5	Sleeve, Swing	011429-45



B-0414



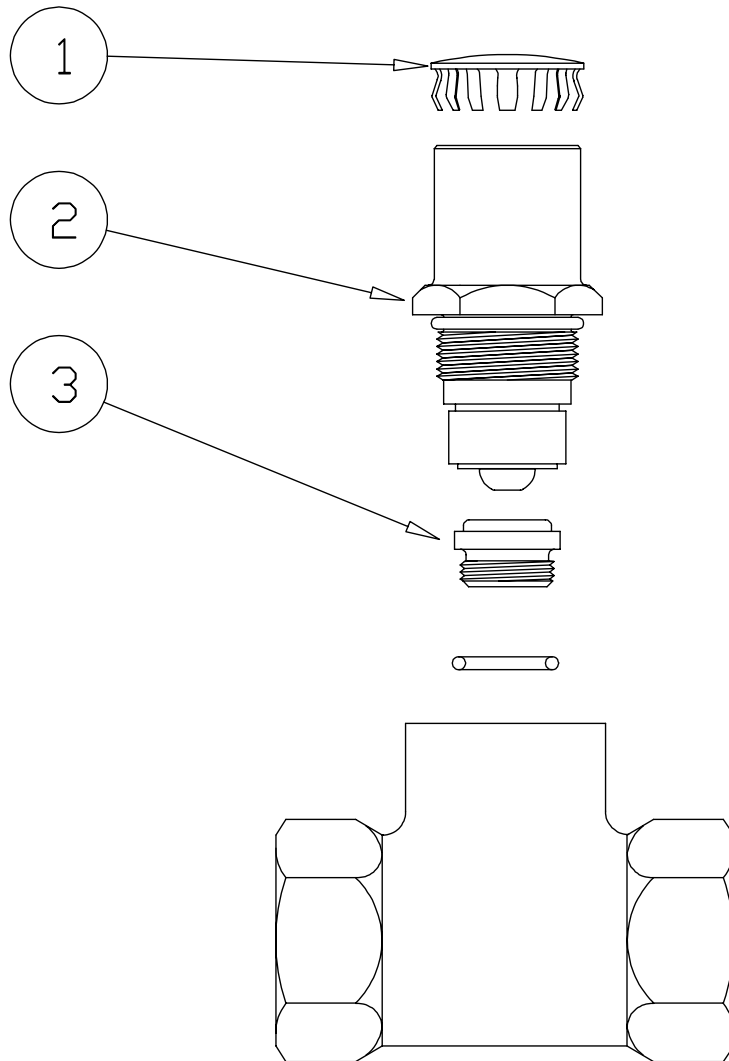
Gooseneck Coupling

1 O-Ring

003426-45



B-0416

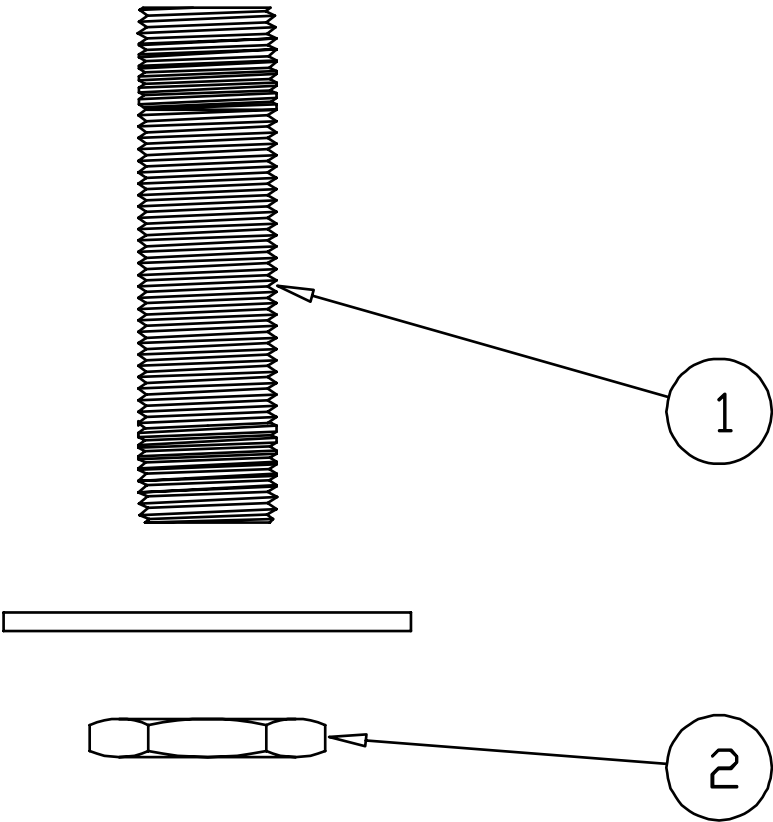


Straight Loose Key Stop

1	Cap, Key Stop	001605-45
2	Asm, Spindle	002892-40
3	Seat	000763-20



B-0425

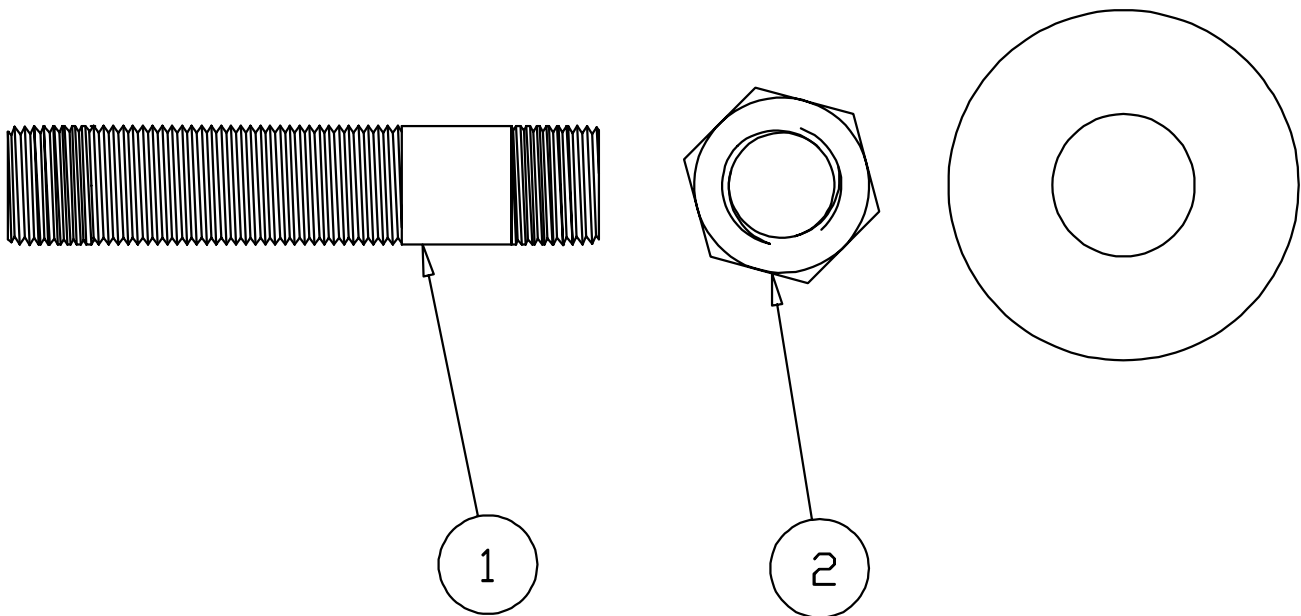


Supply Nipple Unit

- | | | |
|---|----------------|-----------|
| 1 | Nipple, Supply | 000422-20 |
| 2 | Locknut, Shank | 002954-45 |



B-0429

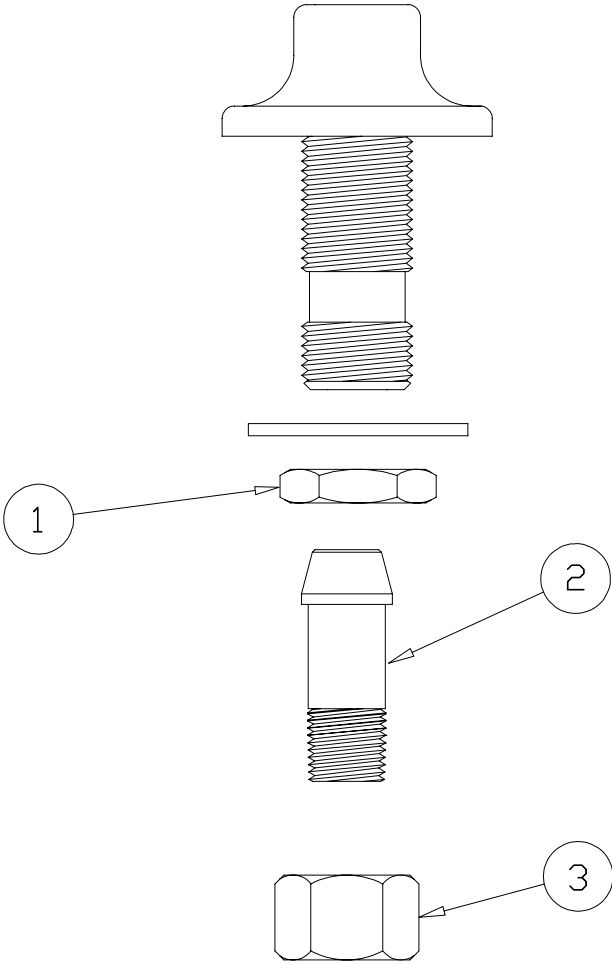


Supply Nipple Assembly

- | | | |
|---|----------------|-----------|
| 1 | Nipple, Supply | 000379-20 |
| 2 | Locknut | 000969-45 |



B-0430

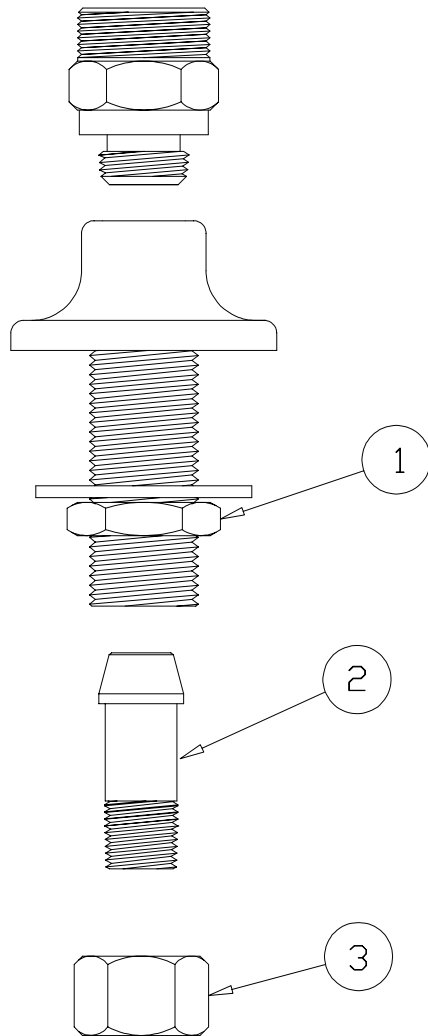


Horizontal Mounting Base

- | | | |
|---|-----------|-----------|
| 1 | Locknut | 002954-45 |
| 2 | Tailpiece | 001592-20 |
| 3 | Nut | 000958-20 |



B-0431

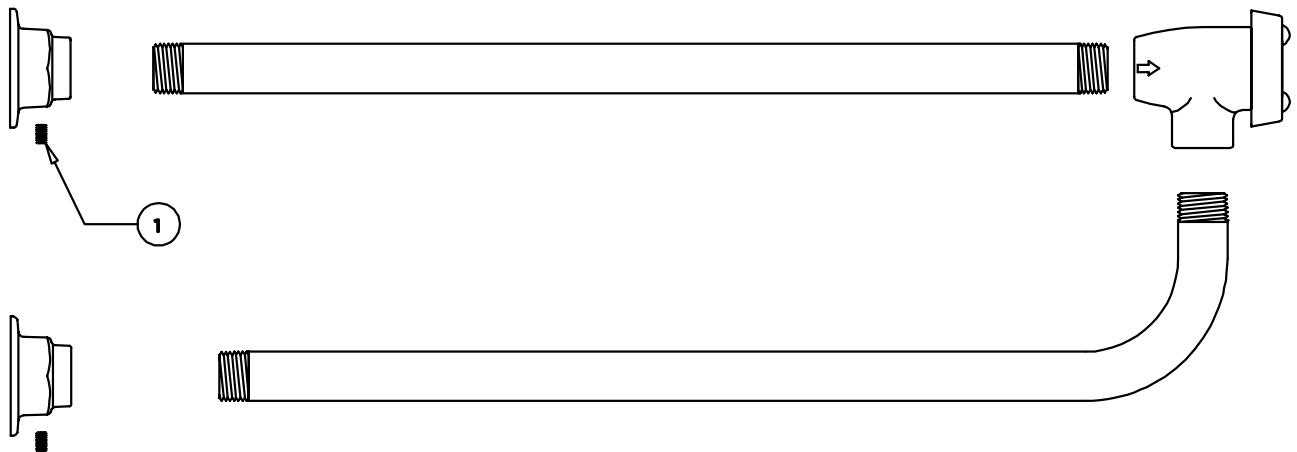


Horizontal Mounted Base

1	Locknut	002954-45
2	Tailpiece	001592-20
3	Nut	000958-20



B-0456-04



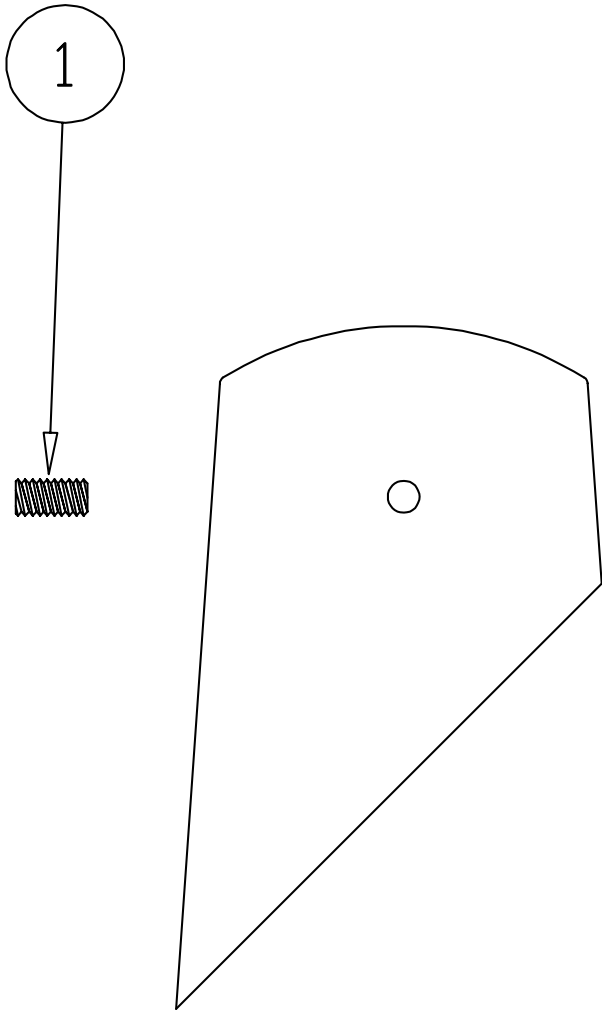
Vacuum Breaker Unit with 4" CC Inlets

1 Set Screw

000939-45



B-0463



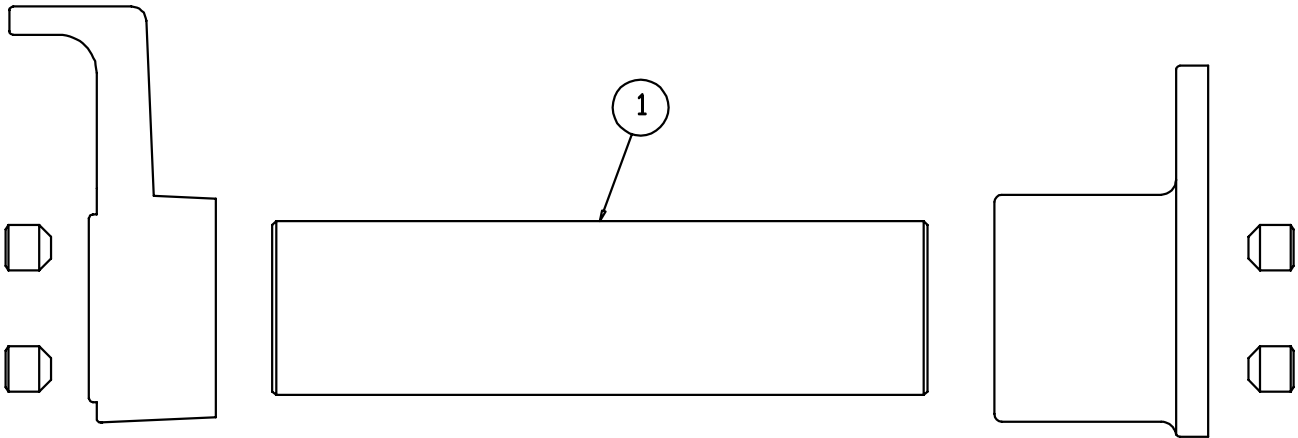
Angled Slip Flange

1 Screw, Set

000938-45



B-0473



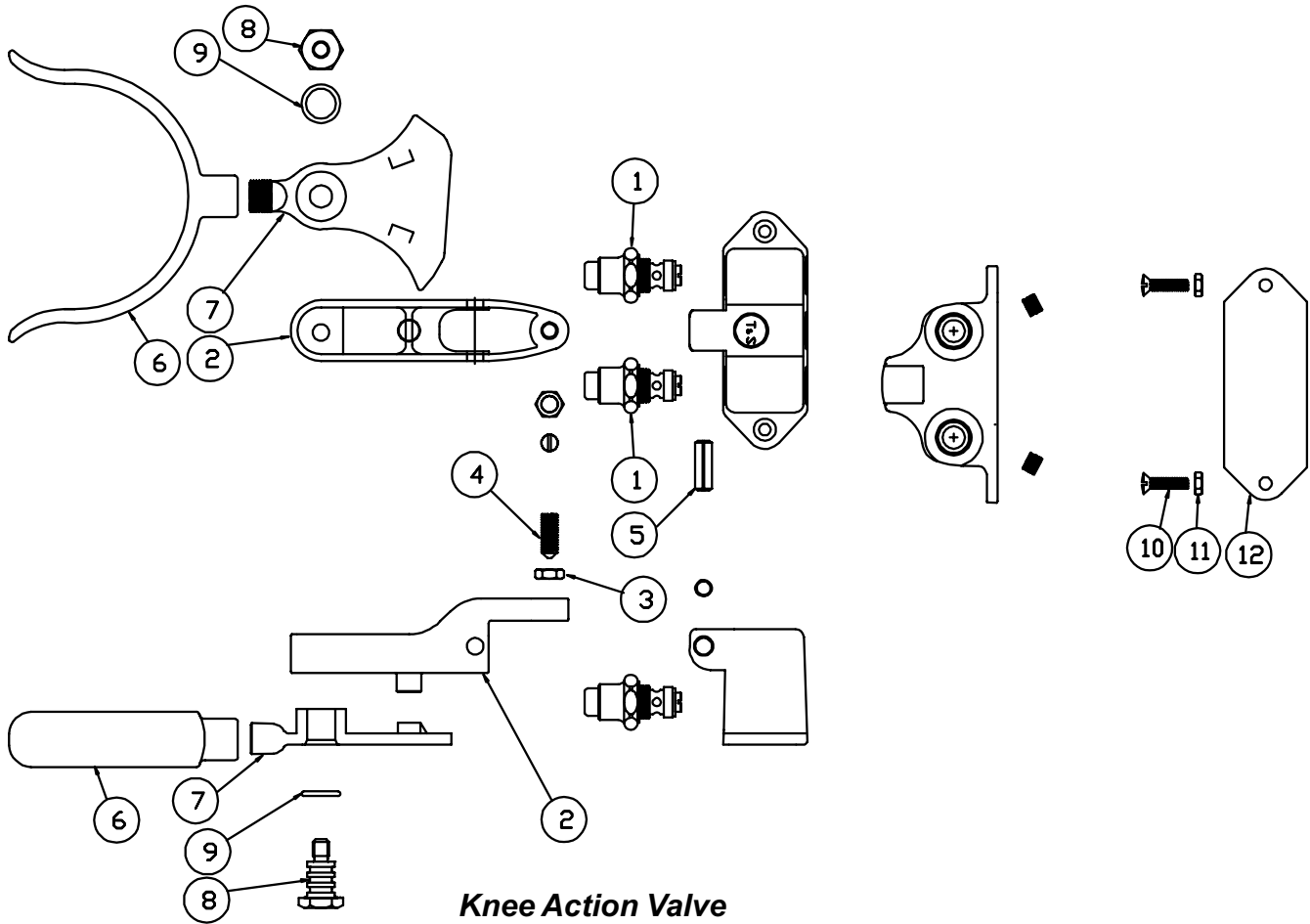
Wall Support

1 Pipe, Wall Support

000453-26



B-0475

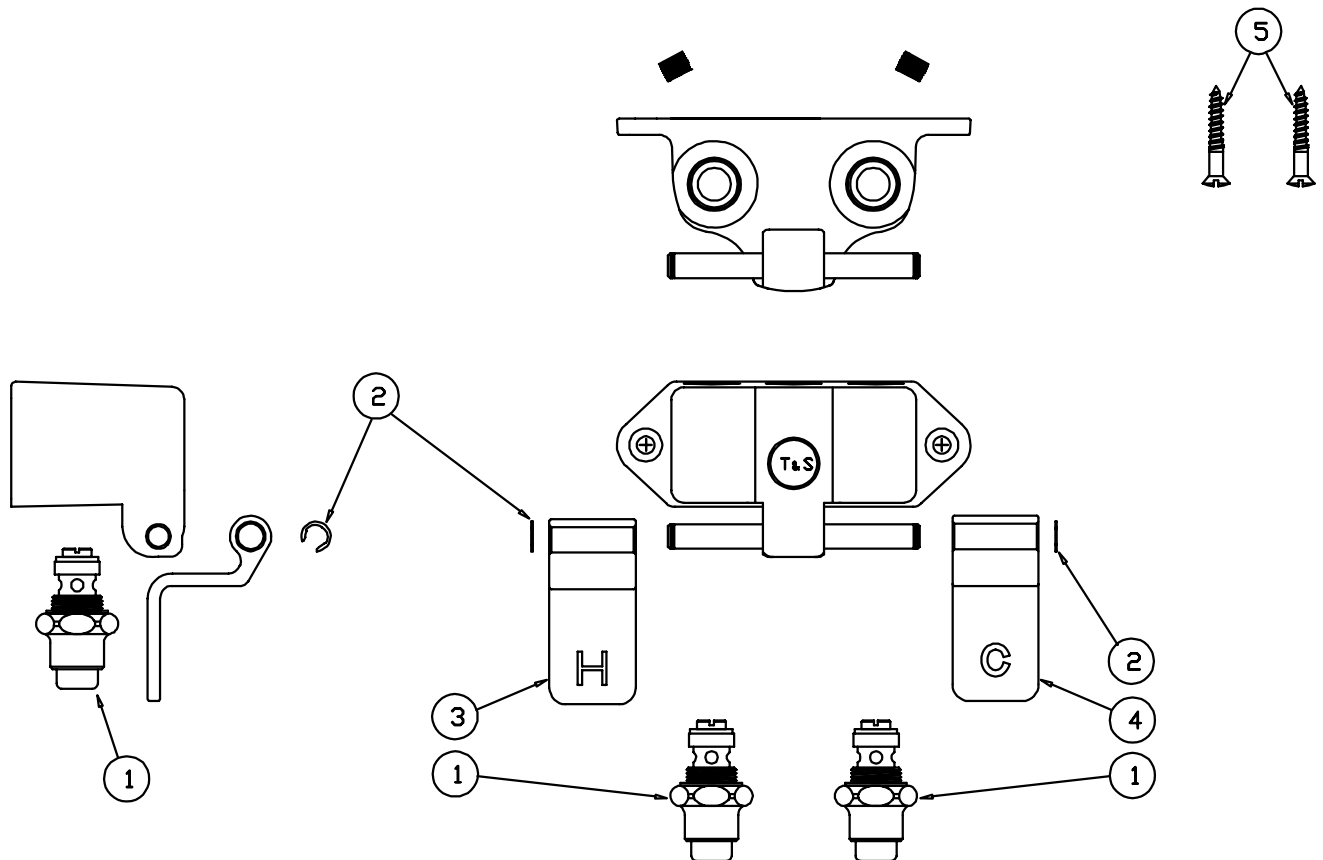


Knee Action Valve

1	Asm, Bonnet	002983-40
2	Center Lever, Knee Action Valve	000124-40
3	Locknut, Adjustable	000952-45
4	Set Screw, Nylon	001123-45
5	Roll Pin	001310-45
6	Stirrup, Knee Valve	000125-40
7	Cam, Knee Valve	000123-40
8	Cam Bolt, Knee Valve	000630-40
9	O-Ring	001060-45
10	Screw, Wall Mount	000919-45
11	Nut, Machine 1/4-20	000951-45
12	Cover Plate	001253-45



B-0502



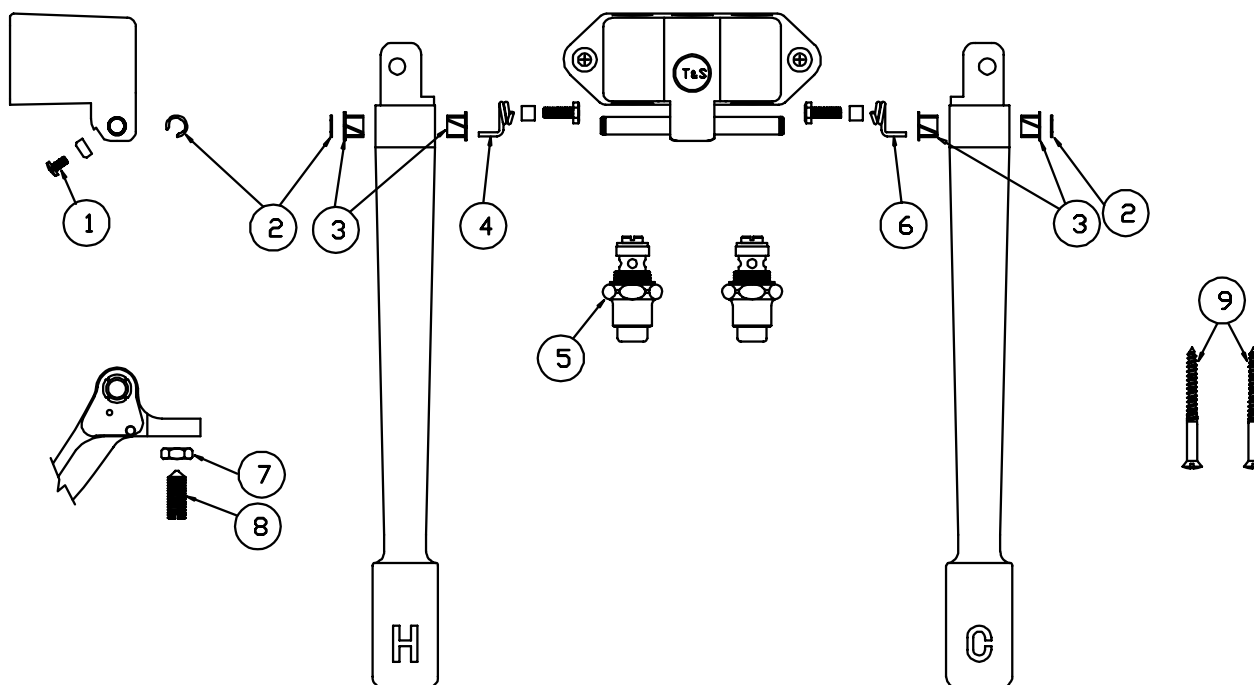
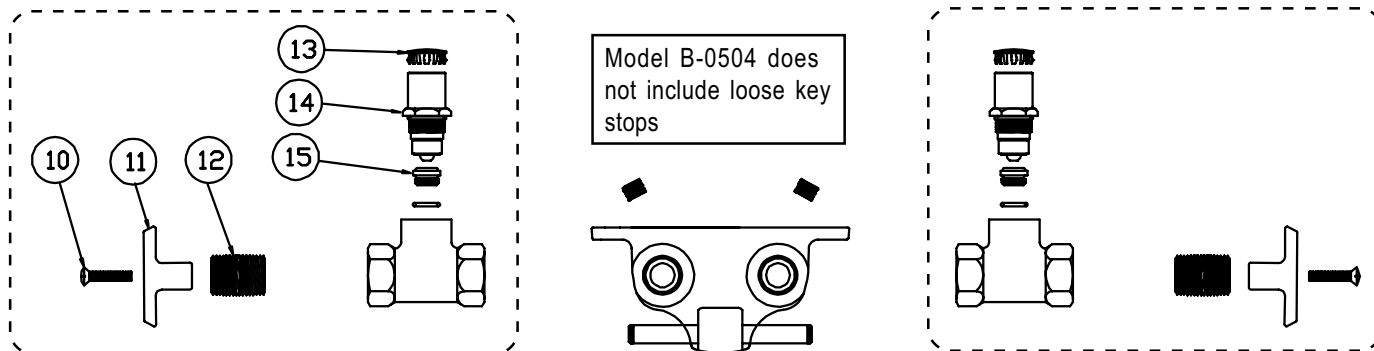
Double Pedal Valve Assembly

1	Asm, Bonnett	005312-40
2	Ring, 'E'-Style, 3/8" Shaft	012512-45
3	Pedal, Foot - Hot	000092-25
4	Pedal, Foot - Cold	000091-25
5	Screw, Wall Mount	000915-45





B-0504, B-0504-LKS



Double Pedal Valve Assembly

1	Screw, Nylon Pad	012523-45	9	Screw, Wall Mounting	003749-45
2	Snap-Ring, Shaft	012512-45	10	Screw, Supply Stop, Handle	002432-45
3	Bushing	001602-45	11	T' Handle, Supply Stop	001802-45
4	Spring, LH Pedal Hot	000886-45	12	Nipple, Supply Stop	002534-25
5	Asm, Bonnet	005312-40	13	Cap, Key Stop	001605-45
6	Spring, RH Pedal Cold	000887-45	14	Asm, Spindle	166A
7	Nut, Adjustable Screw Lock	000952-45	15	Seat	000763-20
8	Set Screw, Adjustable	001123-45			

