



T&S BRASS AND BRONZE WORKS, INC.

2 Saddleback Cove / P.O. Box 1088
Travelers Rest, SC 29690



REG. #A2601
ISO #9001

Model No.

B-0466

Item No.

Travelers Rest, SC: 800-476-4103 Simi Valley, CA: 800-423-0150 Fax: 864-834-3518 www.tsbrass.com

This Space for Architect/Engineer Approval

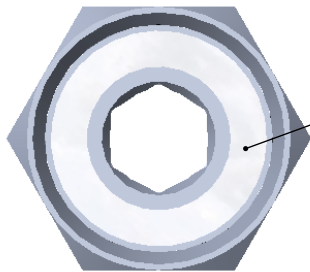
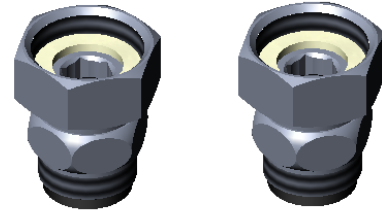
Job Name _____ Date _____

Model Specified _____ Quantity _____

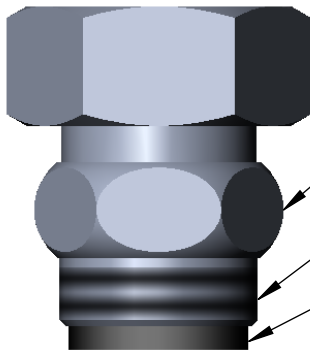
Customer/Wholesaler _____

Contractor _____

Architect/Engineer _____



Supplied with (1)
Santoprene Seal per Assembly

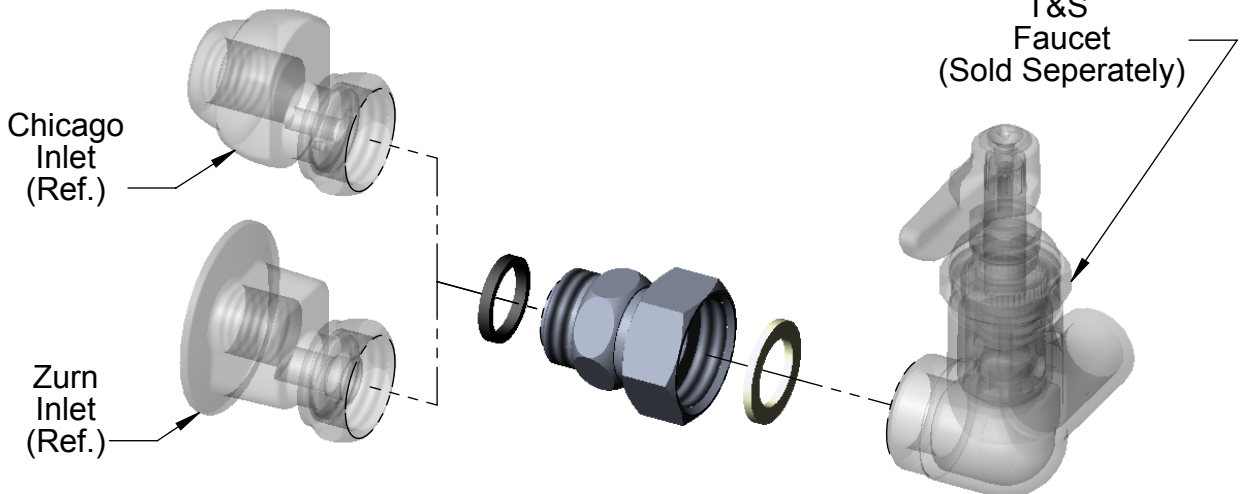


1 3/8" [35mm] Swivel Hex Nut with Internal Threads
to fit T&S Faucet Body

1 1/8" [28.5mm] Hex on Body

Threads fit Chicago and Zurn
Inlet Flanges

Supplied with (1)
Nitrile or EPDM seal per assembly



Product Specifications:

**B-0466 Wall Mount Faucet Adapter
for T&S Faucet to Chicago / Zurn Inlets
(Supplied in Qty (2) per package)**

Drawn
GEF

Checked
JRM

Approved
JHB

Scale:

1:1

Date:

6/26/07



T&S BRASS AND BRONZE WORKS, INC.

2 Saddleback Cove / P.O. Box 1088
Travelers Rest, SC 29690



REG. #A2601
ISO #9001

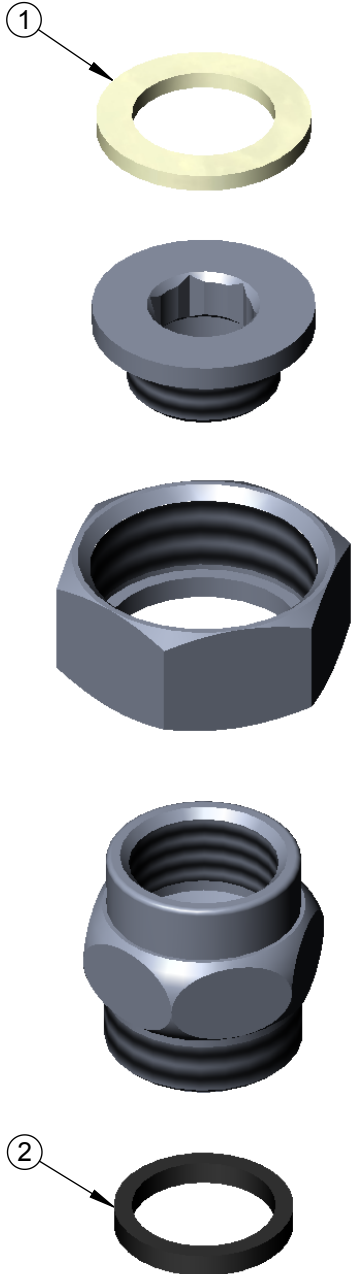
Model No.

B-0466

Item No.

Travelers Rest, SC: 800-476-4103 Simi Valley, CA: 800-423-0150 Fax: 864-834-3518 www.tsbrass.com

ITEM NO.	SALES NO.	DESCRIPTION
1	001019-45	Washer, Coupling Nut
2	001040-45	Washer, 3/4 ID x 15/16 OD x 1/8 thick



Product Specifications:

**B-0466 Wall Mount Faucet Adapter
for T&S Faucet to Chicago / Zurn Inlets
(Supplied in Qty (2) per package)**

Drawn GEF	Checked JRM	Approved JHB
Scale: 1:1		Date: 6/26/07