



# T&S BRASS AND BRONZE WORKS, INC.

2 Saddleback Cove / P.O. Box 1088  
Travelers Rest, SC 29690



REG. #A2601  
ISO #9001

Model No.

**B-0662**

Item No.

Travelers Rest, SC: 800-476-4103 Simi Valley, CA: 800-423-0150 Fax: 864-834-3518 www.tsbrass.com

This Space for Architect/Engineer Approval

Job Name \_\_\_\_\_ Date \_\_\_\_\_

Model Specified \_\_\_\_\_ Quantity \_\_\_\_\_

Customer/Wholesaler \_\_\_\_\_

Contractor \_\_\_\_\_

Architect/Engineer \_\_\_\_\_

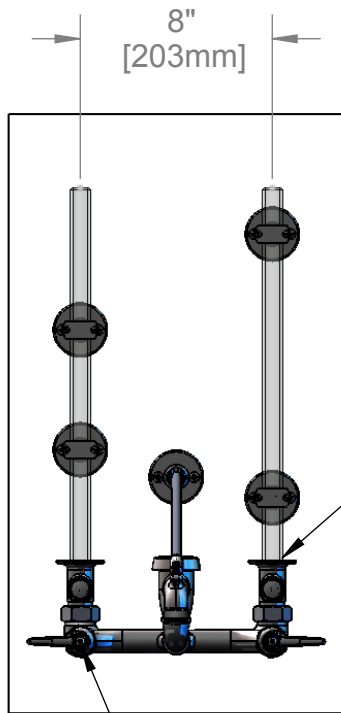
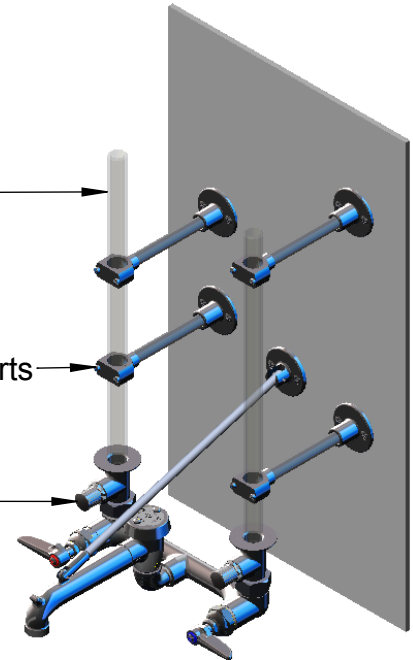


**ADA Compliant**

1/2" NPT CW-HW  
Supply Pipes  
(Supplied by Others)

(4) B-0110 Pipe Supports

Integral Stop



8"  
[203mm]

Hot & Cold  
Eterna Cartridges  
w/ Spring Checks  
& Lever Handles  
w/ Color Coded Indexes

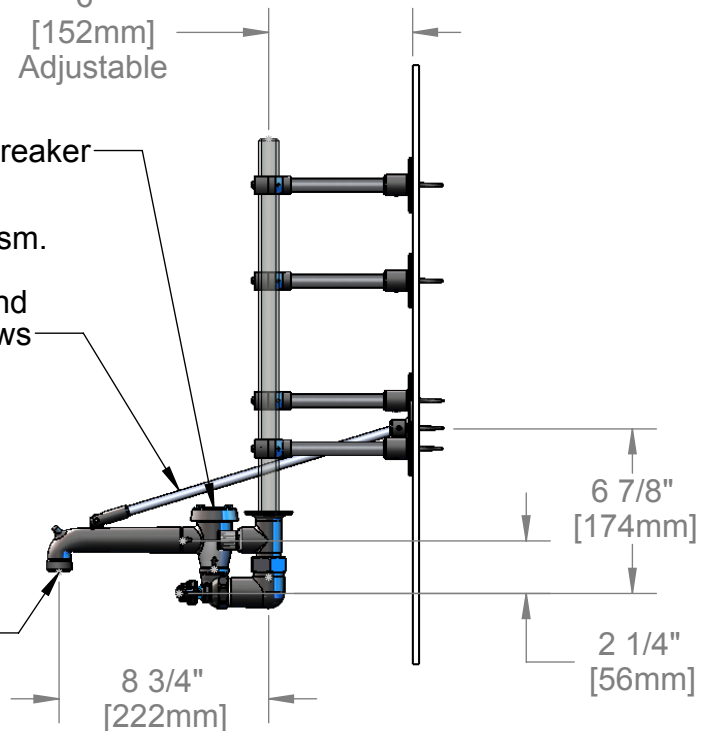
6"  
[152mm]  
Adjustable

B-0969  
1/2" Vacuum Breaker

Support Rod Asm.  
Furnished w/  
Wall Bracket and  
Mounting Screws

1/2" NPT  
Female Inlet

Male Garden  
Hose Outlet



6 7/8"  
[174mm]

2 1/4"  
[56mm]

8 3/4"  
[222mm]

Product Specifications:

Service Sink Faucet, Integral Stops w/ 1/2" NPT Female Inlets, Vacuum Breaker & Wall Brace Assembly, (Designed for Exposed Ceiling Supply Lines)

Drawn  
DHL

Checked  
GEF

Approved  
JHB

Scale:

1:8

Date:

5/16/08



# T&S BRASS AND BRONZE WORKS, INC.

2 Saddleback Cove / P.O. Box 1088  
Travelers Rest, SC 29690



REG. #A2601  
ISO #9001

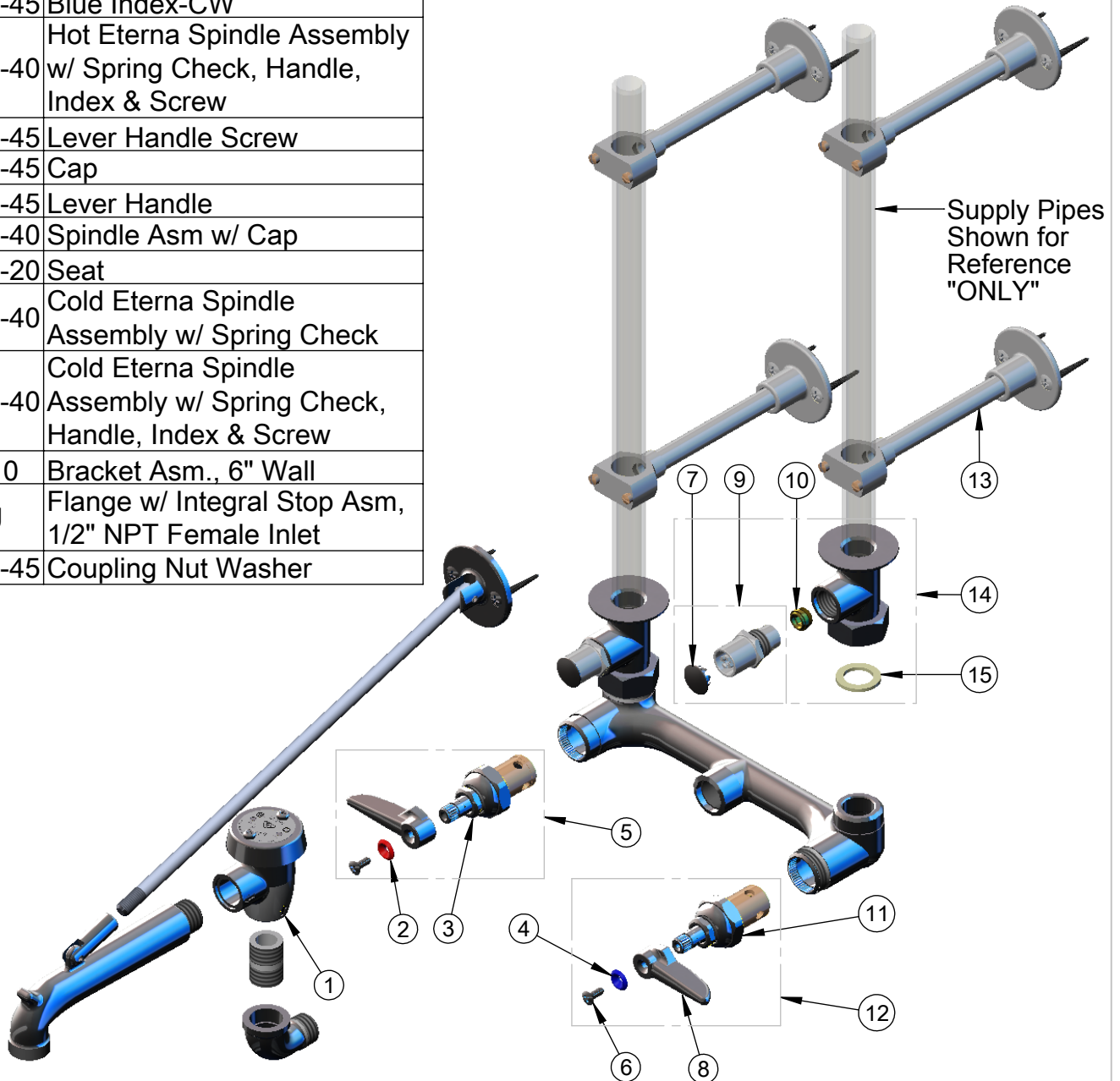
Model No.

**B-0662**

Item No.

Travelers Rest, SC: 800-476-4103 Simi Valley, CA: 800-423-0150 Fax: 864-834-3518 www.tsbrass.com

ITEM NO.	SALES NO.	DESCRIPTION
1	B-0969	Vacuum Breaker, 1/2"
2	001661-45	Red Index-HW
3	012443-40	Hot Eterna Spindle Assembly w/ Spring Check
4	001660-45	Blue Index-CW
5	002712-40	Hot Eterna Spindle Assembly w/ Spring Check, Handle, Index & Screw
6	000922-45	Lever Handle Screw
7	001605-45	Cap
8	001638-45	Lever Handle
9	002892-40	Spindle Asm w/ Cap
10	000763-20	Seat
11	012442-40	Cold Eterna Spindle Assembly w/ Spring Check
12	002711-40	Cold Eterna Spindle Assembly w/ Spring Check, Handle, Index & Screw
13	B-0110	Bracket Asm., 6" Wall
14	00JJ	Flange w/ Integral Stop Asm, 1/2" NPT Female Inlet
15	001019-45	Coupling Nut Washer



Product Specifications:

Service Sink Faucet, Integral Stops w/ 1/2" NPT Female Inlets, Vacuum Breaker & Wall Brace Assembly, (Designed for Exposed Ceiling Supply Lines)

Drawn <b>DHL</b>	Checked <b>GEF</b>	Approved <b>JHB</b>
Scale: <b>1:4</b>		Date: <b>5/16/08</b>