



T&S BRASS AND BRONZE WORKS, INC.

2 Saddleback Cove / P.O. Box 1088
Travelers Rest, SC 29690



REG. #A2601
ISO #9001

Model No.

B-0664-03

Item No.

Travelers Rest, SC: 800-476-4103 Simi Valley, CA: 800-423-0150 Fax: 864-834-3518 www.tsbrass.com

This Space for Architect/Engineer Approval

Job Name _____ Date _____

Model Specified _____ Quantity _____

Customer/Wholesaler _____

Contractor _____

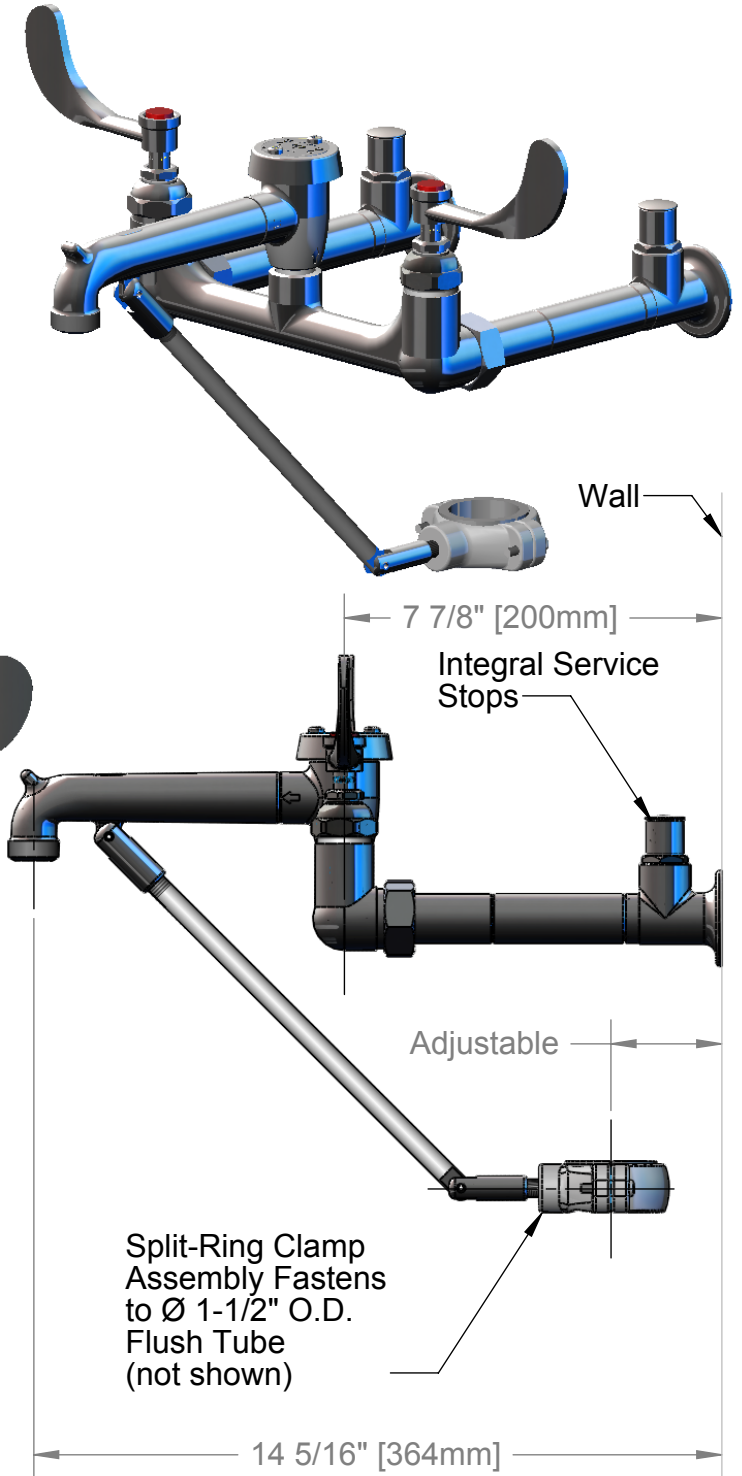
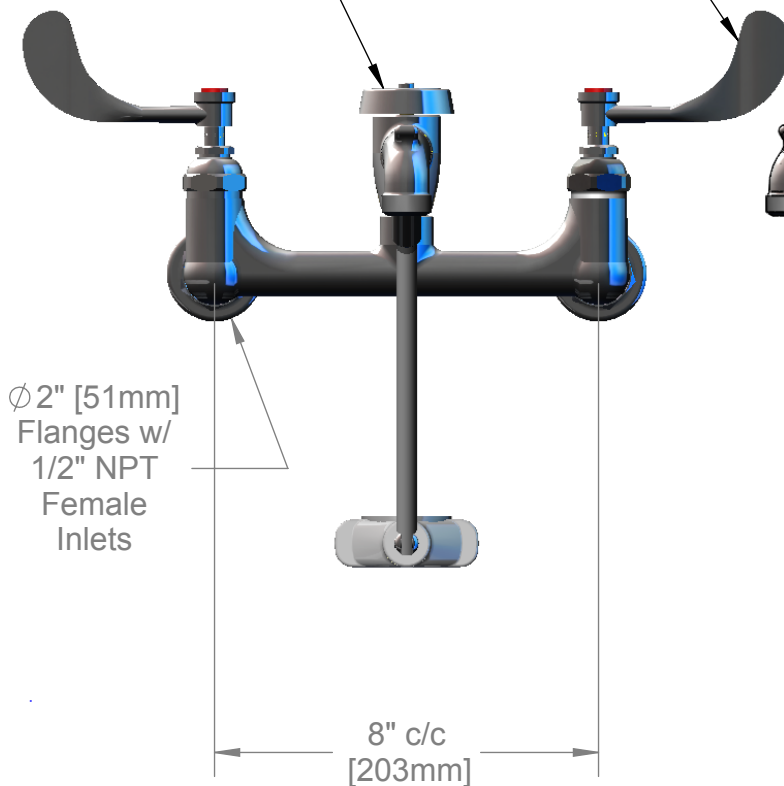
Architect/Engineer _____



ADA Compliant

Hot & Cold
Eterna Cartridges
w/ Spring Check
& 4" Wrist Action
Handles w/ Color
Coded Indexes

B-0969
1/2" Vacuum
Breaker



Product Specifications:

Service Sink Faucet w/ Split-Ring Clamp for use on
Ø 1-1/2" Flush Tubes, 4" Wrist Action Handles, Vacuum
Breaker, 1/2" NPT Female Inlets, Integral Service Stops

Drawn
DHL

Checked
GEF

Approved
JHB

Scale:

1:4

Date:

5/16/08



T&S BRASS AND BRONZE WORKS, INC.

2 Saddleback Cove / P.O. Box 1088
Travelers Rest, SC 29690



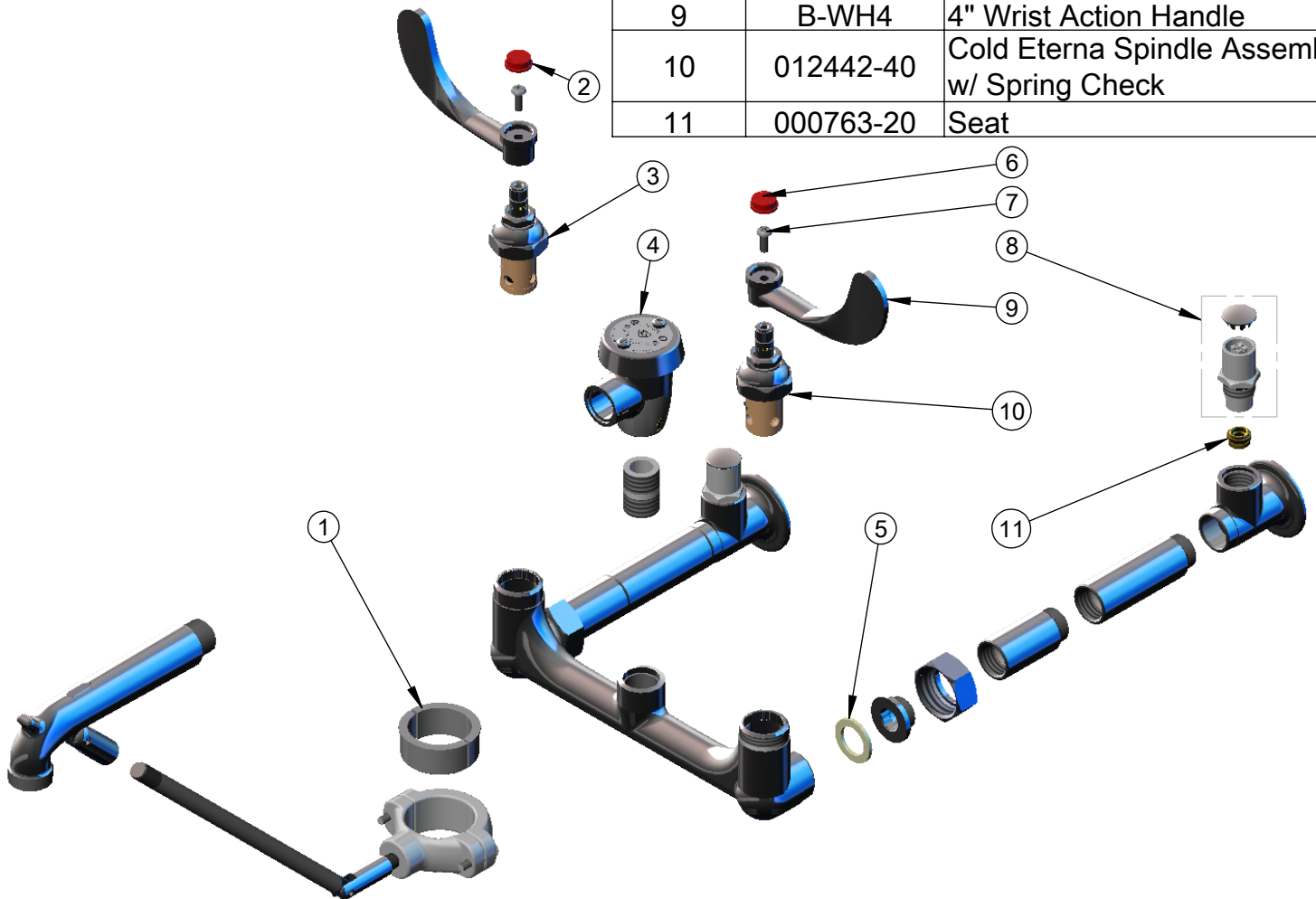
REG. #A2601
ISO #9001

Model No.
B-0664-03

Item No.

Travelers Rest, SC: 800-476-4103 Simi Valley, CA: 800-423-0150 Fax: 864-834-3518 www.tsbrass.com

ITEM NO.	SALES NO.	DESCRIPTION
1	016863-20	Clamp Split Bushing (Set of 2 halves)
2	001194-45	Red HW Index
3	012443-40	Hot Eterna Spindle Assembly w/ Spring Check
4	B-0969	Vacuum Breaker, 1/2"
5	001019-45	Coupling Nut Washer
6	001686-45	Blue CW Index
7	000925-45	Lab Handle Screw
8	002892-40	Stop Spindle Assembly w/ Cap
9	B-WH4	4" Wrist Action Handle
10	012442-40	Cold Eterna Spindle Assembly w/ Spring Check
11	000763-20	Seat



Product Specifications:

Service Sink Faucet w/ Split-Ring Clamp for use on
Ø 1-1/2" Flush Tubes, 4" Wrist Action Handles, Vacuum
Breaker, 1/2" NPT Female Inlets, Intergral Service Stops

Drawn DHL	Checked GEF	Approved JHB
Scale: 1:4		Date: 5/16/08