



T&S BRASS AND BRONZE WORKS, INC.

2 Saddleback Cove / P.O. Box 1088
Travelers Rest, SC 29690



REG. #A2601
ISO #9001

Model No.
B-0664-05

Item No.

Travelers Rest, SC: 800-476-4103 Simi Valley, CA: 800-423-0150 Fax: 864-834-3518 www.tsbrass.com

This Space for Architect/Engineer Approval

Job Name _____ Date _____

Model Specified _____ Quantity _____

Customer/Wholesaler _____

Contractor _____

Architect/Engineer _____



ADA Compliant

Hot & Cold
Eterna Cartridges
w/ Spring Checks
& 6" Wrist Action
Handles w/ Color
Coded Indexes

Split-Ring Clamp
Assembly Fastens to
Ø 1-1/2" O.D.
Flush Tube
(not shown)

Adjustable

B-0969
1/2" Vacuum
Breaker

Adjustable

7 7/8"
[200mm]

Integral
Service
Stops

Ø 2 [51mm]
Flanges w/
1/2" NPT
Female Inlets

8"
[203mm]

14 5/16"
[364mm]

Product Specifications:

Service Sink Faucet w/ Split-Ring Clamp for use on
Ø 1-1/2" O.D. Flush Tubes, 6" Wrist Action Handles,
Vacuum Breaker, 1/2" NPT Female Inlets, Integral Stops

Drawn
DHL

Checked
GEF

Approved
JHB

Scale:

1:4

Date:

5/16/08



T&S BRASS AND BRONZE WORKS, INC.

2 Saddleback Cove / P.O. Box 1088
Travelers Rest, SC 29690



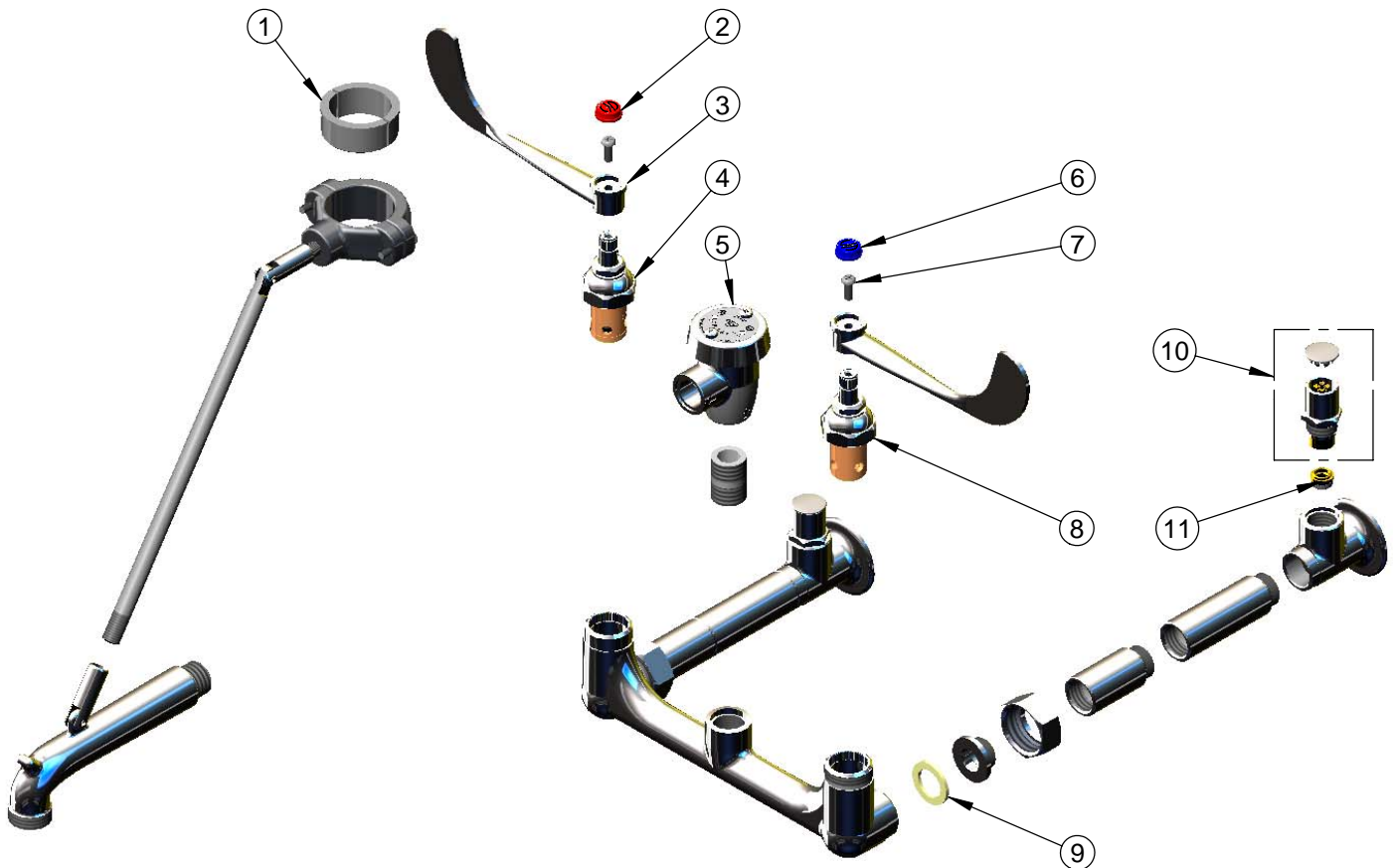
REG. #A2601
ISO #9001

Model No.
B-0664-05

Item No.

Travelers Rest, SC: 800-476-4103 Simi Valley, CA: 800-423-0150 Fax: 864-834-3518 www.tsbrass.com

ITEM NO.	SALES NO.	DESCRIPTION
1	016863-20	Clamp Split Bushing (Set of 2 halves)
2	001194-45	Red HW Index
3	B-WH6	6" Wrist Action Handle
4	012443-40	Eterna w/ Spring Check Hot Spindle Assembly
5	B-0969	Vacuum Breaker, 1/2"
6	001686-45	Blue CW Index
7	000925-45	Lab Handle Screw </td
8	012442-40	Eterna w/ Spring Check Cold Spindle Assembly
9	001019-45	Coupling Nut Washer
10	002892-40	Stop Spindle Assembly w/ Cap
11	000763-20	Seat



Product Specifications:

Service Sink Faucet w/ Split-Ring Clamp for use on
Ø 1-1/2" O.D. Flush Tubes, 6" Wrist Action Handles,
Vacuum Breaker, 1/2" NPT Female Inlets, Integral Stops

Drawn DHL	Checked GEF	Approved JHB
Scale: NTS		Date: 5/16/08