



# T&S BRASS AND BRONZE WORKS, INC.

2 Saddleback Cove / P.O. Box 1088  
Travelers Rest, SC 29690



REG. #A2601  
ISO #9001

Model No.

**B-0668-RGH**

Item No.

Travelers Rest, SC: 800-476-4103 Simi Valley, CA: 800-423-0150 Fax: 864-834-3518 www.tsbrass.com

This Space for Architect/Engineer Approval

Job Name \_\_\_\_\_ Date \_\_\_\_\_

Model Specified \_\_\_\_\_ Quantity \_\_\_\_\_

Customer/Wholesaler \_\_\_\_\_

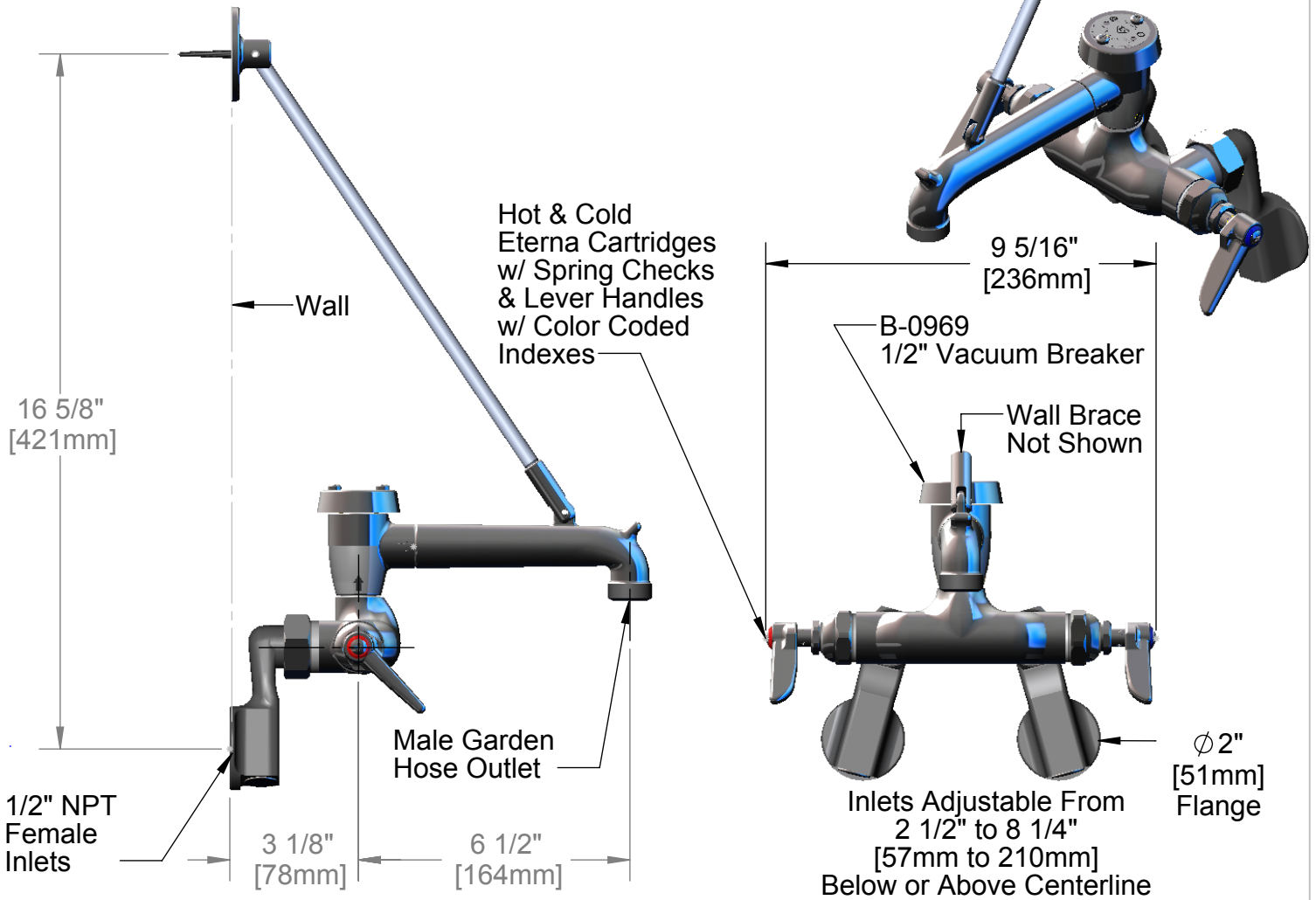
Contractor \_\_\_\_\_

Architect/Engineer \_\_\_\_\_

Support Rod Asm. Furnished w/  
Wall Bracket and Mounting Screws



**ADA Compliant**



**Product Specifications:**

Service Sink Faucet, Rough Chrome Finish, Vacuum Breaker, Lever Handles, Wall Brace, 1/2" NPT Female Adjustable Inlets & Male Garden Hose Outlet

Drawn <b>DHL</b>	Checked <b>GEF</b>	Approved <b>JHB</b>
Scale: <b>1:4</b>		Date: <b>5/16/08</b>



**T&S BRASS AND BRONZE WORKS, INC.**

2 Saddleback Cove / P.O. Box 1088  
Travelers Rest, SC 29690



REG. #A2601  
ISO #9001

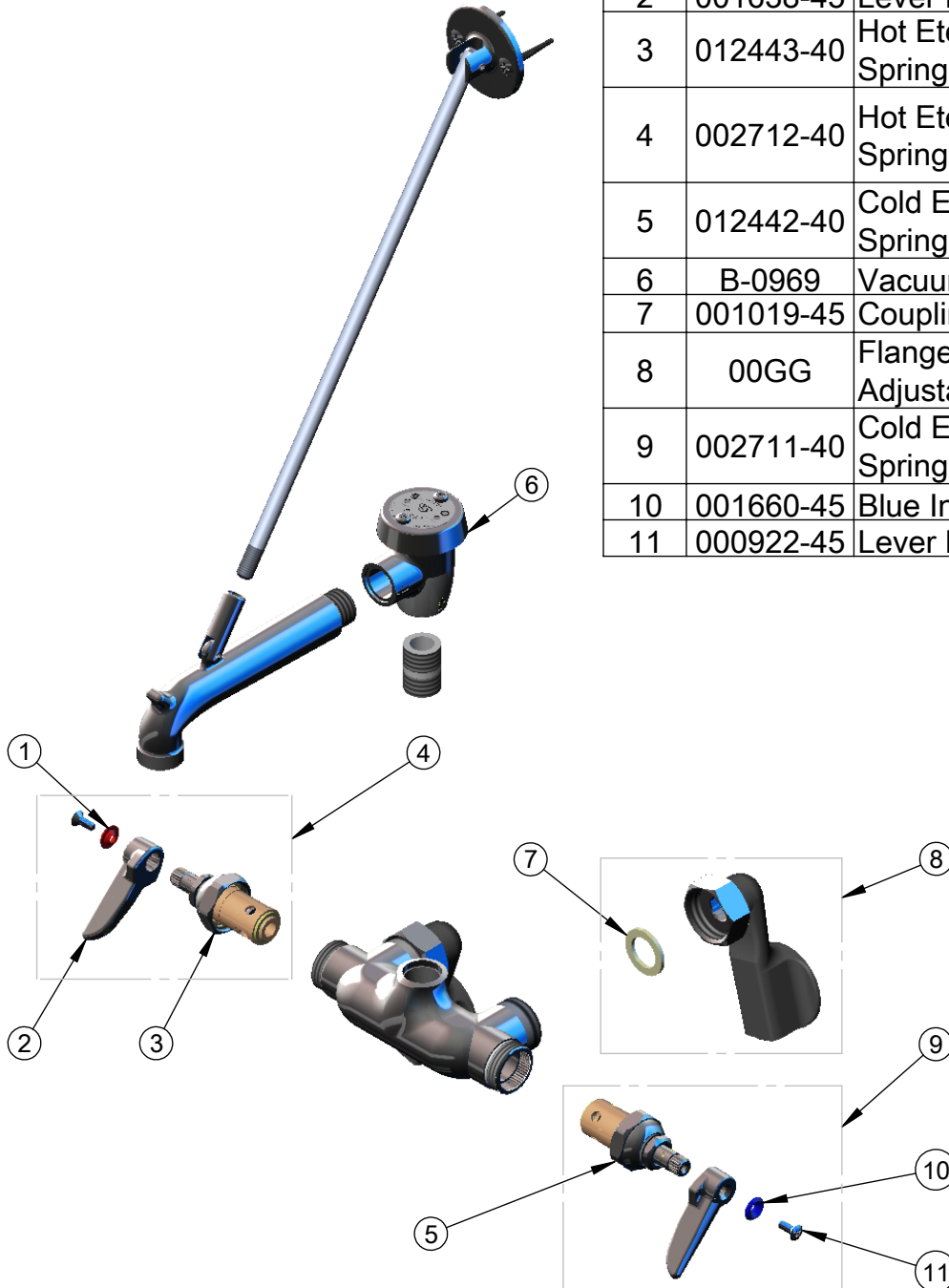
Model No.

**B-0668-RGH**

Item No.

Travelers Rest, SC: 800-476-4103 Simi Valley, CA: 800-423-0150 Fax: 864-834-3518 www.tsbrass.com

ITEM NO.	SALES NO.	DESCRIPTION
1	001661-45	Red Index-HW
2	001638-45	Lever Handle
3	012443-40	Hot Eterna Spindle Assembly w/ Spring Check
4	002712-40	Hot Eterna Spindle Assembly w/ Spring Check, Handle, Index & Screw
5	012442-40	Cold Eterna Spindle Assembly w/ Spring Check
6	B-0969	Vacuum Breaker, 1/2"
7	001019-45	Coupling Nut Washer
8	00GG	Flange Assembly, 1/2" NPT, Adjustable
9	002711-40	Cold Eterna Spindle Assembly w/ Spring Check, Handle, Index & Screw
10	001660-45	Blue Index-CW
11	000922-45	Lever Handle Screw



Product Specifications:

Service Sink Faucet, Rough Chrome Finish, Vacuum Breaker, Lever Handles, Wall Brace, 1/2" NPT Female Adjustable Inlets & Male Garden Hose Outlet

Drawn DHL	Checked GEF	Approved JHB
Scale: 1:4		Date: 5/16/08