



# T&S BRASS AND BRONZE WORKS, INC.

2 Saddleback Cove / P.O. Box 1088  
Travelers Rest, SC 29690



REG. #A2601  
ISO #9001

Model No.  
**B-0689**

Item No.

Travelers Rest, SC: 800-476-4103 Simi Valley, CA: 800-423-0150 Fax: 864-834-3518 www.tsbrass.com

This Space for Architect/Engineer Approval

Job Name \_\_\_\_\_ Date \_\_\_\_\_

Model Specified \_\_\_\_\_ Quantity \_\_\_\_\_

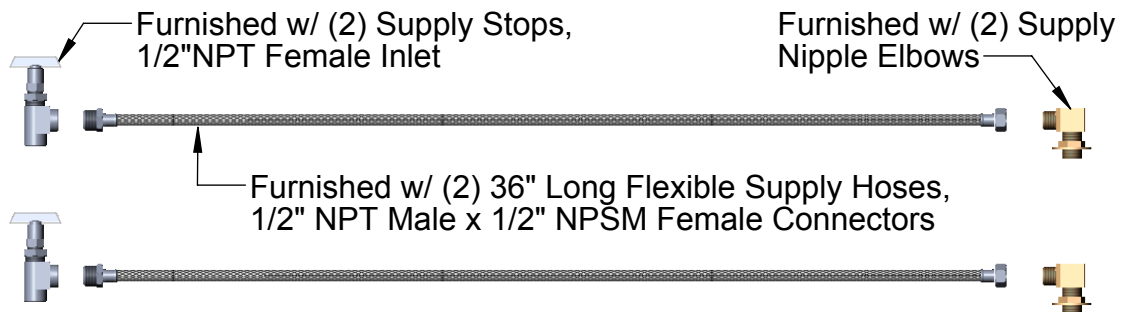
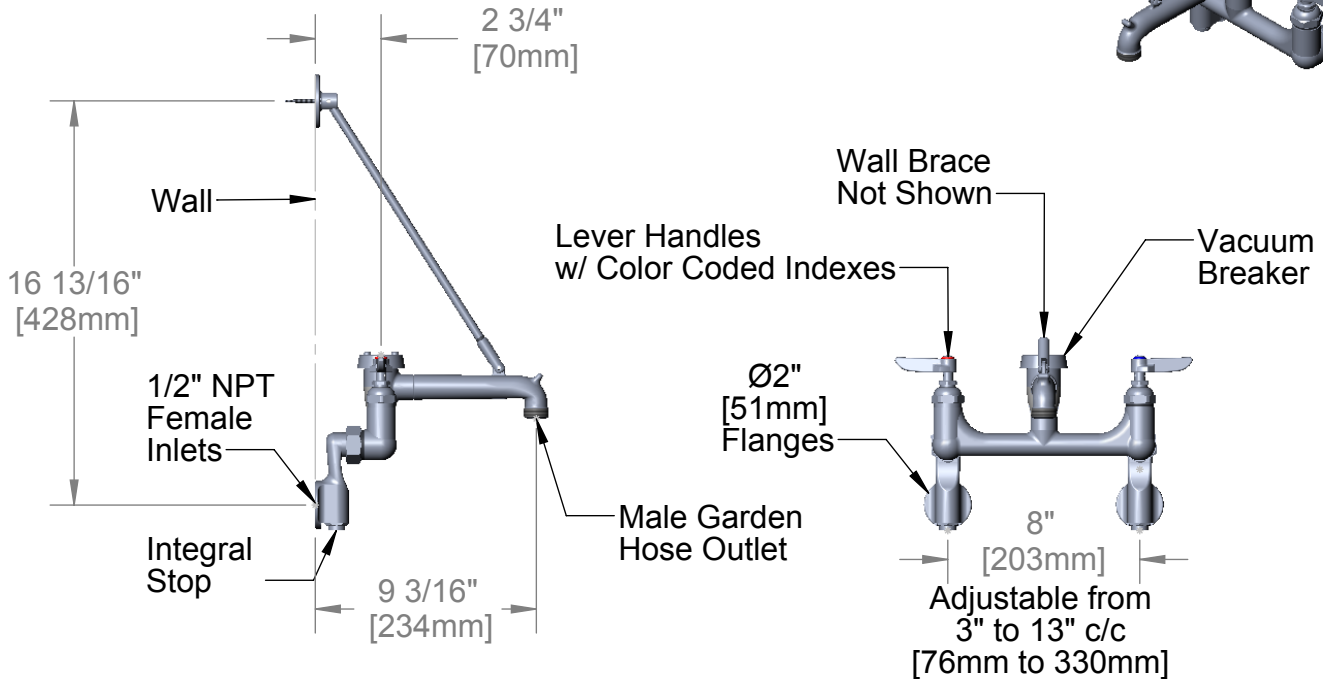
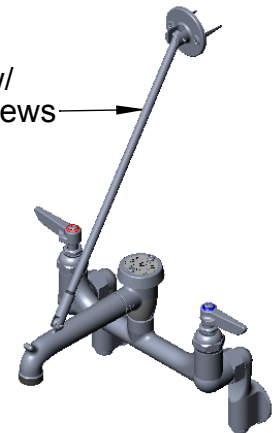
Customer/Wholesaler \_\_\_\_\_

Contractor \_\_\_\_\_

Architect/Engineer \_\_\_\_\_

- Variations or Applicable Options:
- WH4 4" Wrist Action Handles
  - WH6 6" Wrist Action Handles
  - 175F 4-Arm Kitchen Handles

Support Rod Asm. Furnished w/  
Wall Bracket and Mounting Screws



Product Specifications:

Service Sink Faucet, Lever Handles, Integral Stops, Vacuum Breaker, Wall Brace Assembly, 1/2" NPT Inlets & Male Garden Hose Outlet. (Also Furnished w/ (2) 013121-45 36" Long Flexible Supply Hoses, B-0230-K Supply Nipple Elbow Kit & (2) B-0418 Supply Stops)

|              |                |                   |
|--------------|----------------|-------------------|
| Drawn<br>DHL | Checked<br>GEF | Approved<br>JHB   |
| Scale:       | 1:8            | Date:<br>04/23/07 |



# T&S BRASS AND BRONZE WORKS, INC.

2 Saddleback Cove / P.O. Box 1088  
Travelers Rest, SC 29690



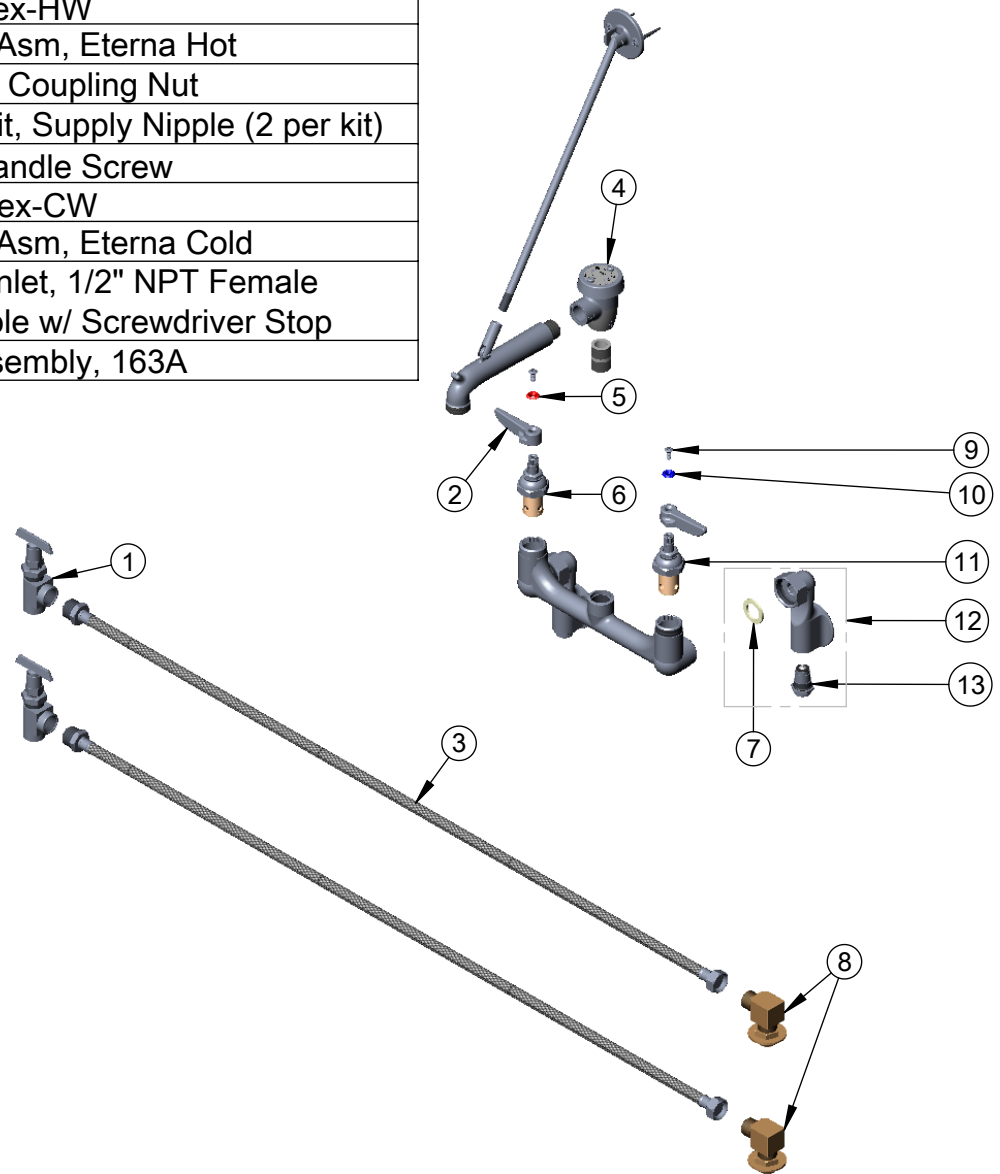
REG. #A2601  
ISO #9001

Model No.  
**B-0689**

Item No.

Travelers Rest, SC: 800-476-4103 Simi Valley, CA: 800-423-0150 Fax: 864-834-3518 www.tsbrass.com

| ITEM NO. | SALES NO. | DESCRIPTION  |
|----------|-----------|--|
| 1        | B-0418    | Supply Stop w/ 1/2" NPT Inlet                                      |
| 2        | 177F      | Lever Handle   |
| 3        | 013121-45 | Flexible Supply Hose, 36" Long w/ 1/2" NPT Male & 1/2" NPSM Female |
| 4        | B-0969    | Vacuum Breaker, 1/2"   |
| 5        | 001661-45 | Red Index-HW   |
| 6        | 002712-40 | Spindle Asm, Eterna Hot  |
| 7        | 001019-45 | Washer, Coupling Nut   |
| 8        | B-0230-K  | Elbow Kit, Supply Nipple (2 per kit)                               |
| 9        | 000922-45 | Lever Handle Screw   |
| 10       | 001660-45 | Blue Index-CW  |
| 11       | 002711-40 | Spindle Asm, Eterna Cold   |
| 12       | 00XX      | Flange Inlet, 1/2" NPT Female Adjustable w/ Screwdriver Stop       |
| 13       | 163A      | BST Assembly, 163A   |



**Product Specifications:**

Service Sink Faucet, Lever Handles, Integral Stops, Vacuum Breaker, Wall Brace Assembly, 1/2" NPT Inlets & Male Garden Hose Outlet. (Also Furnished w/ (2) 013121-45 36" Long Flexible Supply Hoses, B-0230-K Supply Nipple Elbow Kit & (2) B-0418 Supply Stops)

|                      |                          |                        |
|----------------------|--------------------------|------------------------|
| Drawn<br><b>DHL</b>  | Checked<br><b>GEF</b>    | Approved<br><b>JHB</b> |
| Scale:<br><b>1:8</b> | Date:<br><b>04/23/07</b> |                        |