



T&S BRASS AND BRONZE WORKS, INC.

2 Saddleback Cove / P.O. Box 1088
Travelers Rest, SC 29690



REG. #A2601
ISO #9001

Model No.
B-0708-JJ

Item No.

Travelers Rest, SC: 800-476-4103 Simi Valley, CA: 800-423-0150 Fax: 864-834-3518 www.tsbrass.com

This Space for Architect/Engineer Approval

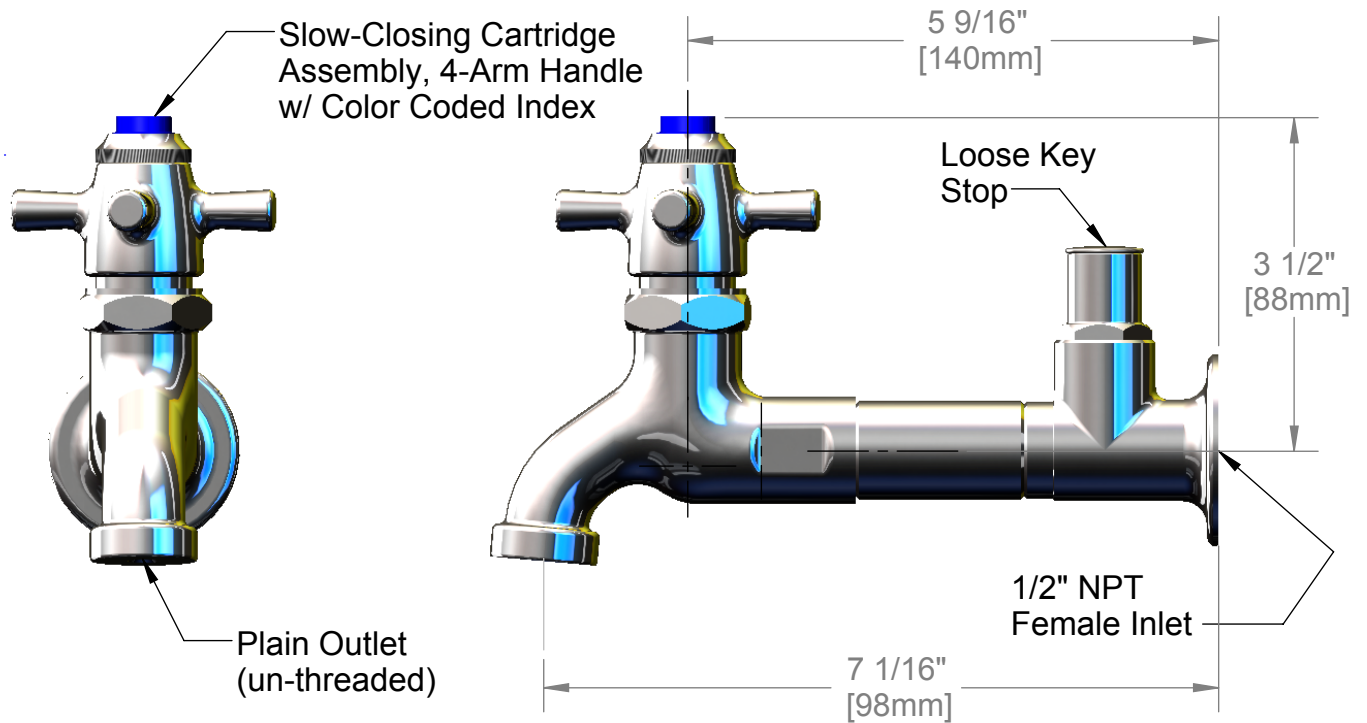
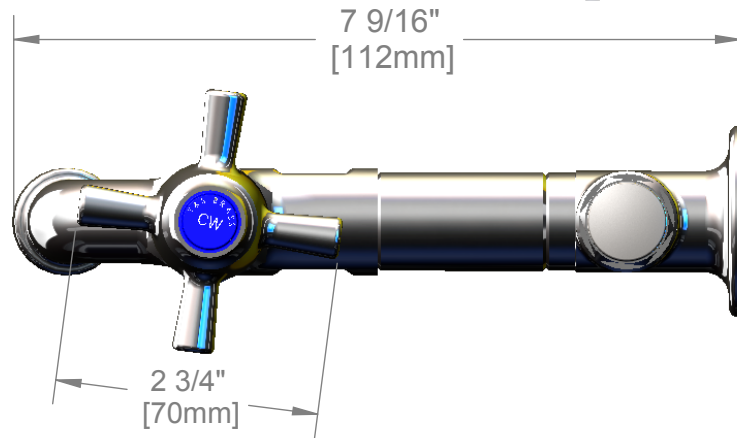
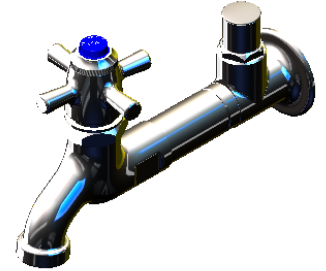
Job Name _____ Date _____

Model Specified _____ Quantity _____

Customer/Wholesaler _____

Contractor _____

Architect/Engineer _____



Product Specifications:

Self-Closing Hose Bibb Faucet, 4-Arm Handle w/ Blue "CW" Index, 1/2" NPT Female Inlet w/ Extension & Plain Outlet

Drawn DHL	Checked JRM	Approved JHB
Scale: 1:2	Date: 03/10/08	



T&S BRASS AND BRONZE WORKS, INC.

2 Saddleback Cove / P.O. Box 1088
Travelers Rest, SC 29690



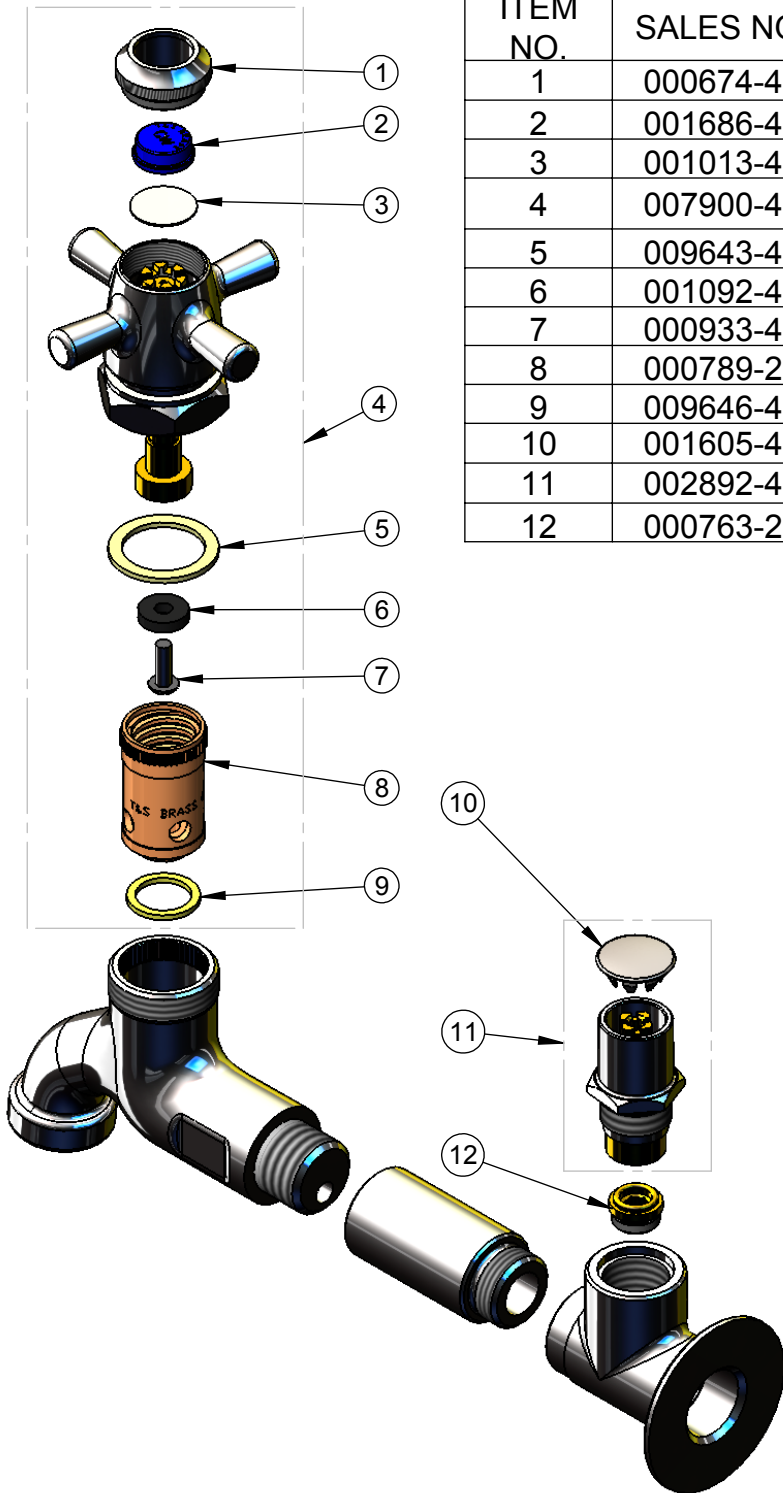
REG. #A2601
ISO #9001

Model No.

B-0708-JJ

Item No.

Travelers Rest, SC: 800-476-4103 Simi Valley, CA: 800-423-0150 Fax: 864-834-3518 www.tsbrass.com



ITEM NO.	SALES NO.	DESCRIPTION
1	000674-40	Slow Close Index Ring
2	001686-45	Blue Cold Index
3	001013-45	Slow Close Handle Disc
4	007900-40	Slow-Closing Cold Cartridge Assembly
5	009643-45	Washer
6	001092-45	Seat Washer
7	000933-45	Seat Washer Screw
8	000789-20	Removable Insert, LH Thread
9	009646-45	Washer
10	001605-45	Cap
11	002892-40	Spindle Asm w/ Cap
12	000763-20	Seat

Product Specifications:

Self-Closing Hose Bibb Faucet, 4-Arm Handle w/ Blue "CW" Index, 1/2" NPT Female Inlet w/ Extension & Plain Outlet

Drawn DHL	Checked JRM	Approved JHB
Scale: 1:2	Date: 03/10/08	