



T&S BRASS AND BRONZE WORKS, INC.

2 Saddleback Cove / P.O. Box 1088
Travelers Rest, SC 29690



REG. #A2601
ISO #9001

Model No.
B-0805

Item No.

Travelers Rest, SC: 800-476-4103 Simi Valley, CA: 800-423-0150 Fax: 864-834-3518 www.tsbrass.com

This Space for Architect/Engineer Approval

Job Name _____ Date _____

Model Specified _____ Quantity _____

Customer/Wholesaler _____

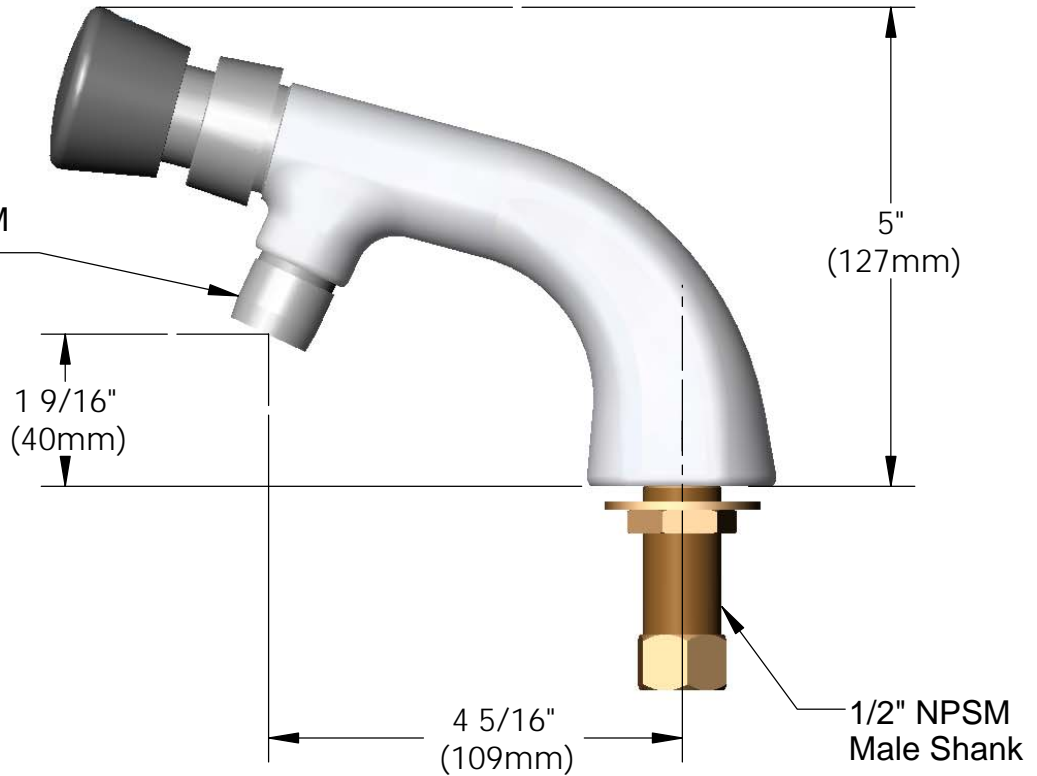
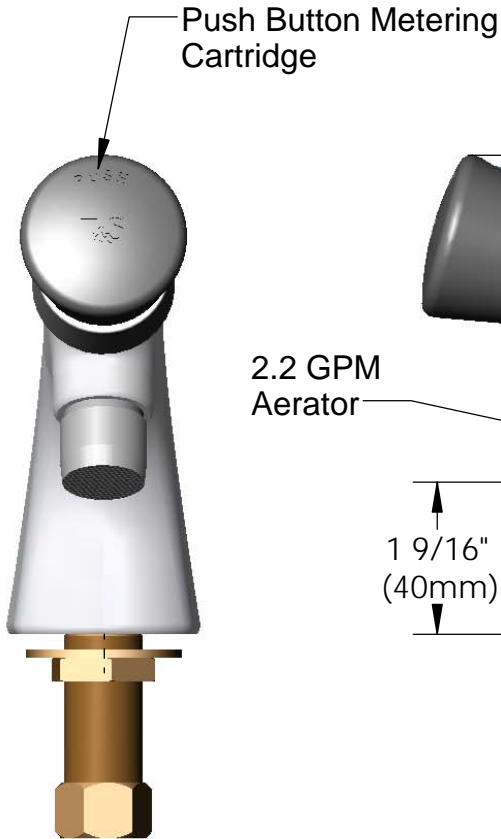
Contractor _____

Architect/Engineer _____

Variations or Applicable Options:
-B-0199-21 2.2 GPM Laminar Flow Outlet



Furnished w/
Spanner Bit for
Flow Duration
Adjustment



Product Specifications:
Single Temperature Deck Mount Faucet, 1/2" NPSM Male Shank, Push Button Metering Cartridge, & 2.2 GPM Aerator

Drawn WJS	Checked JRM	Approved JHB
Scale: 1:2		Date: 3/13/2006



T&S BRASS AND BRONZE WORKS, INC.
 2 Saddleback Cove / P.O. Box 1088
 Travelers Rest, SC 29690



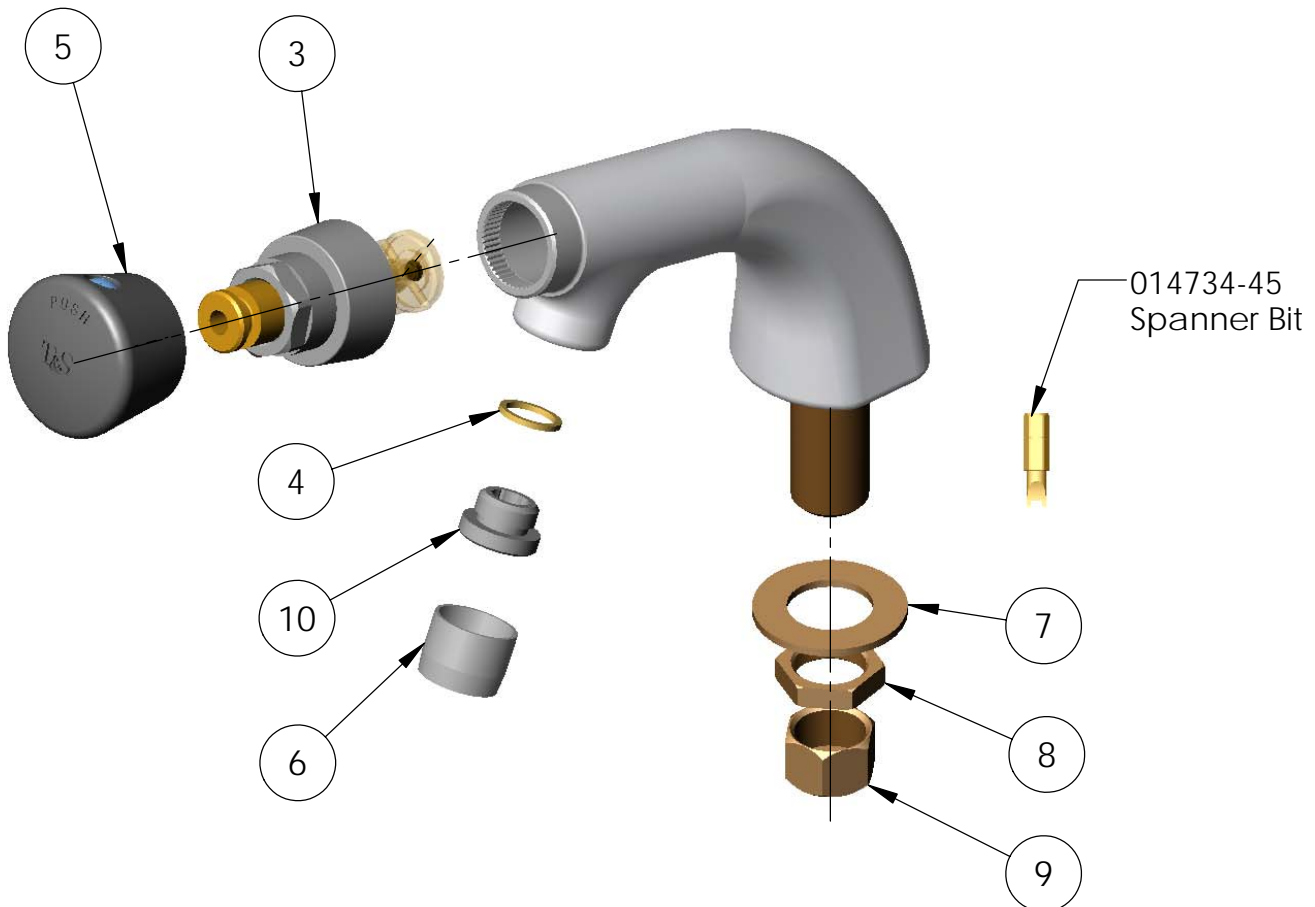
REG. #A2601
 ISO #9001

Model No.
B-0805

Item No.

Travelers Rest, SC: 800-476-4103 Simi Valley, CA: 800-423-0150 Fax: 864-834-3518 www.tsbrass.com

Item No.	Sales No.	Description
3	238A	Push Button Metering Ctg.
4	009636-45	Washer
5	014193-40	Push Button Cap Asm.
6	B-0199-01	2.2 GPM Aerator
7	007361-45	Brass Lock Washer
8	002954-45	Shank Lock Nut
9	000958-20	Coupling Nut
10	044A	3/8" to Aer. Adapter



Product Specifications:

Single Temperature Deck Mount Faucet, 1/2" NPSM
 Male Shank, Push Button Metering Cartridge,
 & 2.2 GPM Aerator

Drawn WJS	Checked JRM	Approved JHB
Scale: 1:2		Date: 3/13/2006