



# T&S BRASS AND BRONZE WORKS, INC.

2 Saddleback Cove / P.O. Box 1088  
Travelers Rest, SC 29690



REG. #A2601  
ISO #9001

Model No.

**B-0806-PA**

Item No.

Travelers Rest, SC: 800-476-4103 Simi Valley, CA: 800-423-0150 Fax: 864-834-3518 www.tsbrass.com

This Space for Architect/Engineer Approval

Job Name \_\_\_\_\_ Date \_\_\_\_\_

Model Specified \_\_\_\_\_ Quantity \_\_\_\_\_

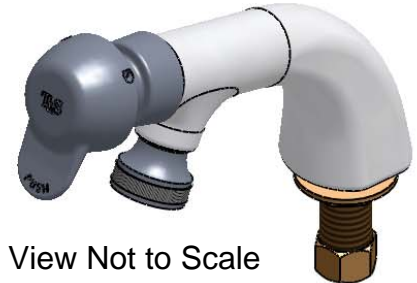
Customer/Wholesaler \_\_\_\_\_

Contractor \_\_\_\_\_

Architect/Engineer \_\_\_\_\_



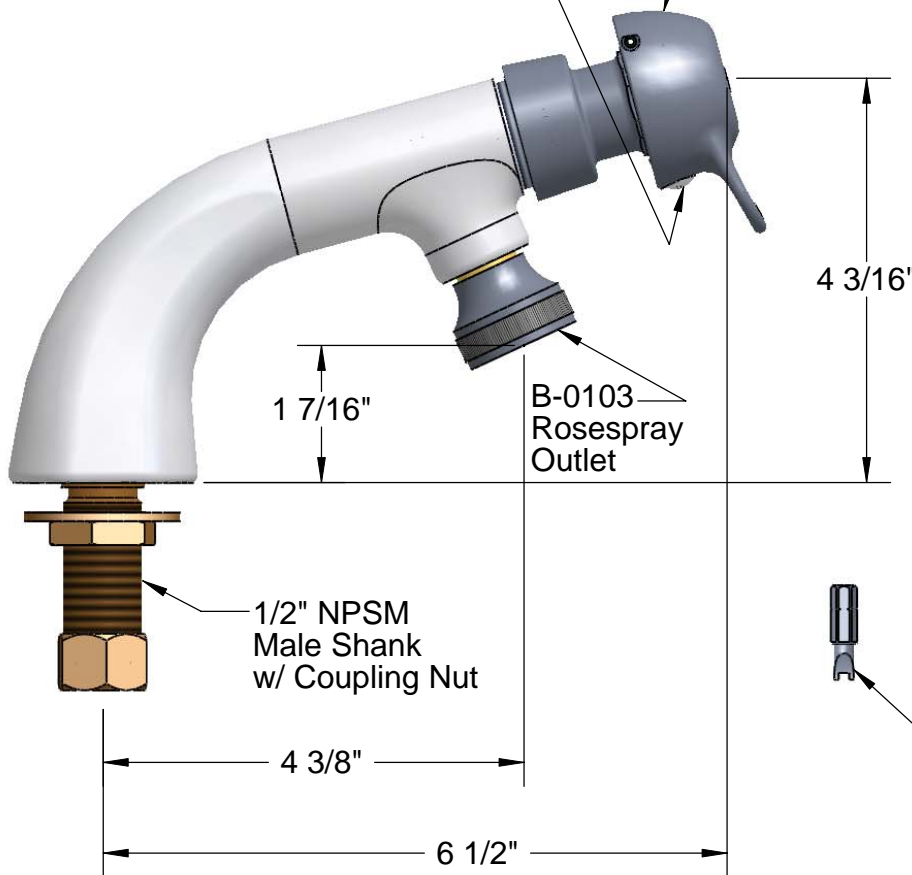
**ADA Compliant**



View Not to Scale

Vandal Resistant Screw.  
Loosen Screw (Do Not  
Remove) and Flip Handle  
Up to Access Metering  
Adjustment.  
(Metering Adjustment  
Requires 3/32" Hex Key)

238AB-PA  
Pivot Action  
Metering Cartridge  
w/ Blank Handle and  
Vandal Resistant Screw



Furnished w/  
Spanner Bit for  
Vandal Resistant  
Screw.

Rough-In:  $\phi$ 1" Hole

Product Specifications:

Single Temp Metering Faucet w/ 1/2" NPSM Male Shank,  
Pivot Action Metering Cartridge and Rosespray Outlet

Drawn <b>DMH</b>	Checked <b>GEF</b>	Approved <b>JHB</b>
Scale: <b>1:8</b>		Date: <b>10/03/08</b>



**T&S BRASS AND BRONZE WORKS, INC.**

2 Saddleback Cove / P.O. Box 1088  
Travelers Rest, SC 29690



REG. #A2601  
ISO #9001

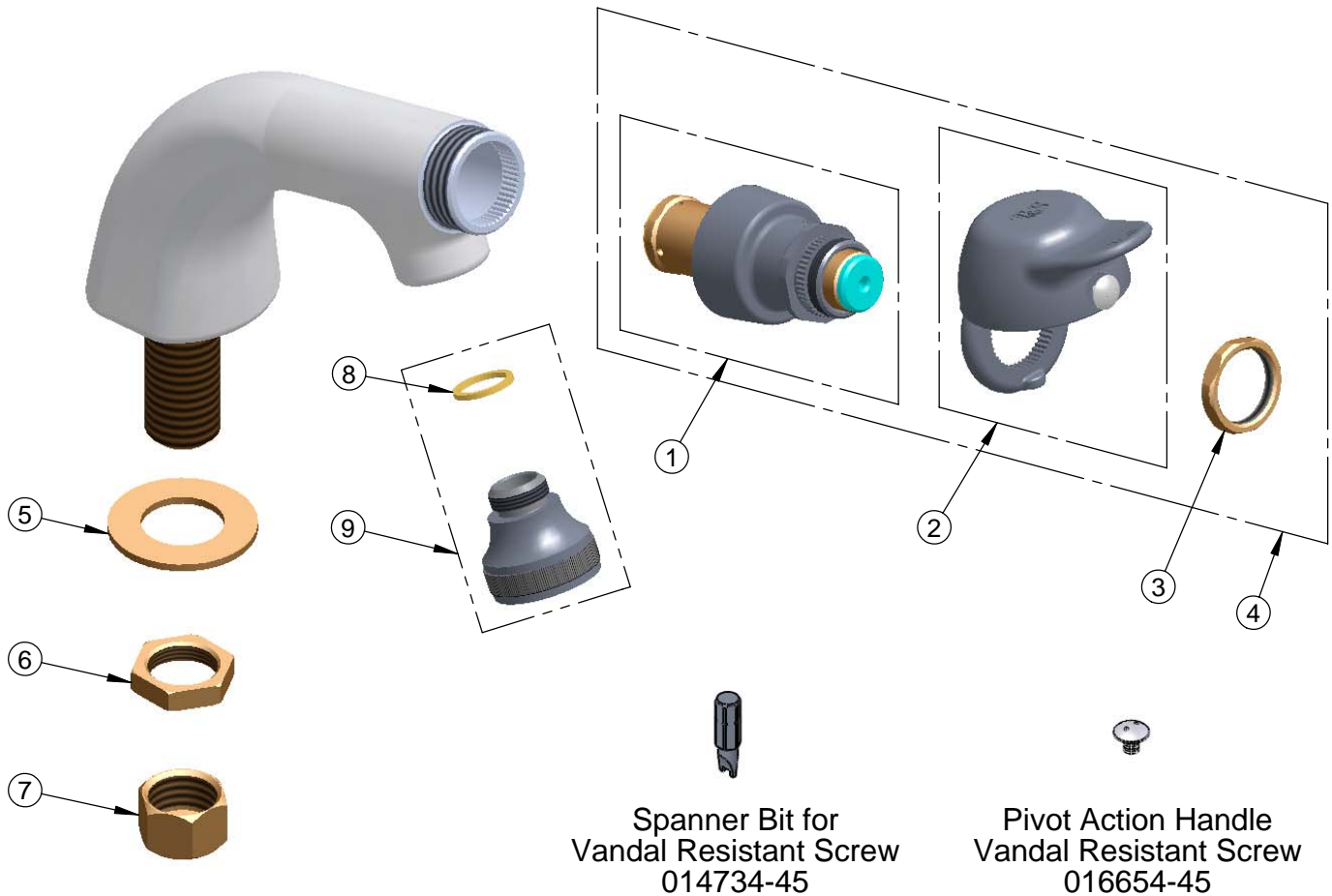
Model No.

**B-0806-PA**

Item No.

Travelers Rest, SC: 800-476-4103 Simi Valley, CA: 800-423-0150 Fax: 864-834-3518 www.tsbrass.com

ITEM NO.	SALES NO.	DESCRIPTION
1	238A-PA	Pivot Action Metering Cartridge w/ Retaining Nut
2	PA-B	Blank Pivot Action Handle Assembly w/ Retaining Nut and Spanner Bit
3	PA-N	Retaining Nut
4	238AB-PA	Pivot Action Metering Cartridge w/ Blank Pivot Action Handle, Retaining Nut and Spanner Bit
5	000999-45	Brass Lock Washer
6	002954-45	Shank Lock Nut
7	000958-20	Coupling Nut
8	001043-45	Washer
9	B-0103	Rosespray



Product Specifications:

Single Temp Metering Faucet w/ 1/2" NPSM Male Shank,  
Pivot Action Metering Cartridge and Rosespray Outlet

Drawn

**DMH**

Checked

**GEF**

Approved

**JHB**

Scale:

**1:4**

Date:

**10/03/08**