



T&S BRASS AND BRONZE WORKS, INC.

2 Saddleback Cove / P.O. Box 1088
Travelers Rest, SC 29690



REG. #A2601
ISO #9001

Model No.
B-0834-01

Item No.

Travelers Rest, SC: 800-476-4103 Simi Valley, CA: 800-423-0150 Fax: 864-834-3518 www.tsbrass.com

This Space for Architect/Engineer Approval

Job Name _____ Date _____

Model Specified _____ Quantity _____

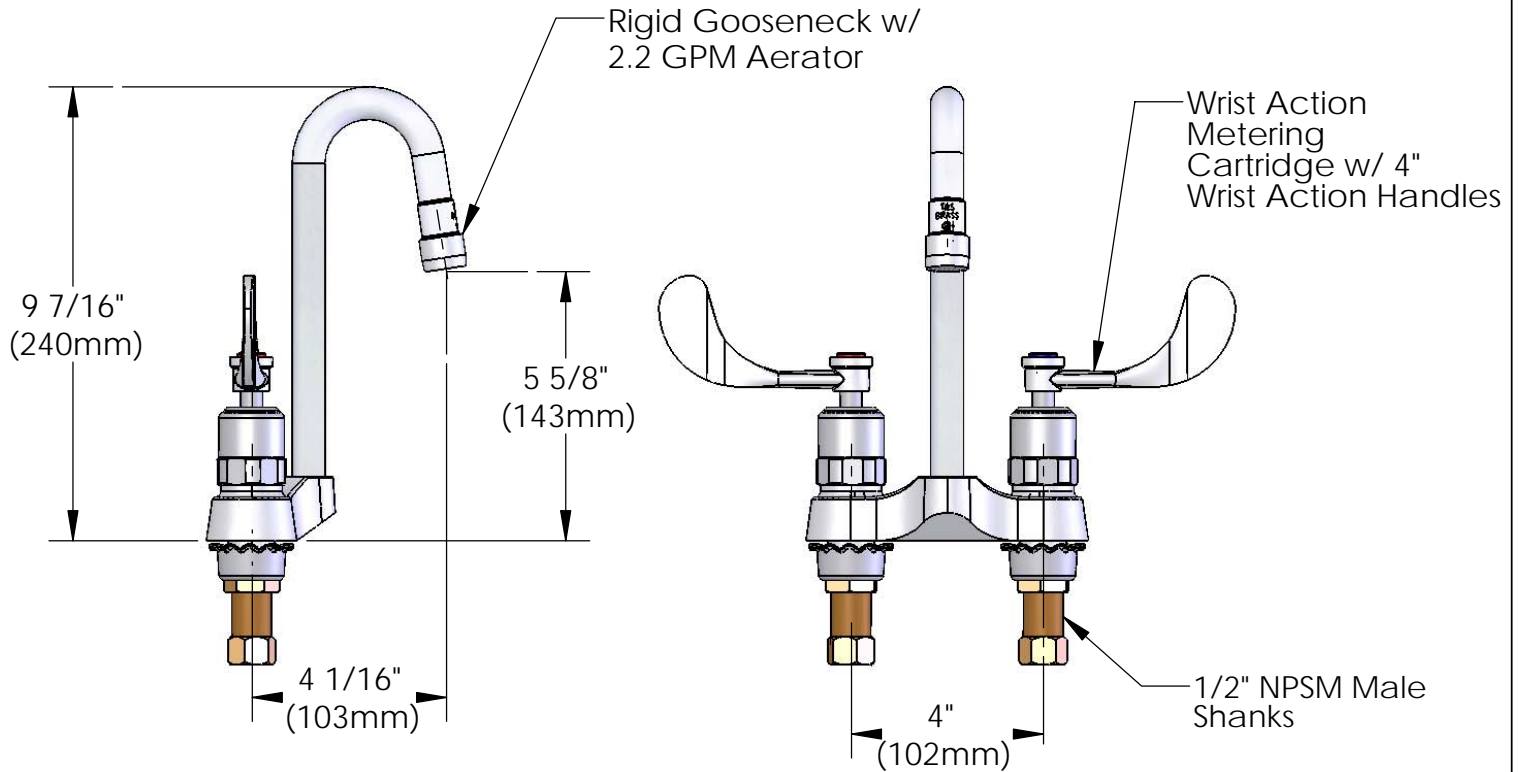
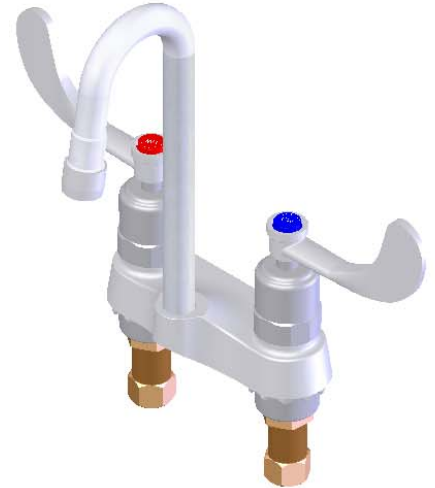
Customer/Wholesaler _____

Contractor _____

Architect/Engineer _____

Variations or Applicable Options:

- WH6 6" Wrist Action Handles
- 177F Lever Handles
- 175F 4-Arm Kitchen Handles



Product Specifications:
4" Centerset Mixing Faucet, 1/2" NPSM Male Shanks,
Wrist Action Metering Cartridges, 4" Wrist Action
Handles, Rigid Gooseneck, & 2.2 GPM Aerator

Drawn WJS	Checked JRM	Approved JHB
Scale: 1:4		Date: 3/13/2006



T&S BRASS AND BRONZE WORKS, INC.

2 Saddleback Cove / P.O. Box 1088
Travelers Rest, SC 29690



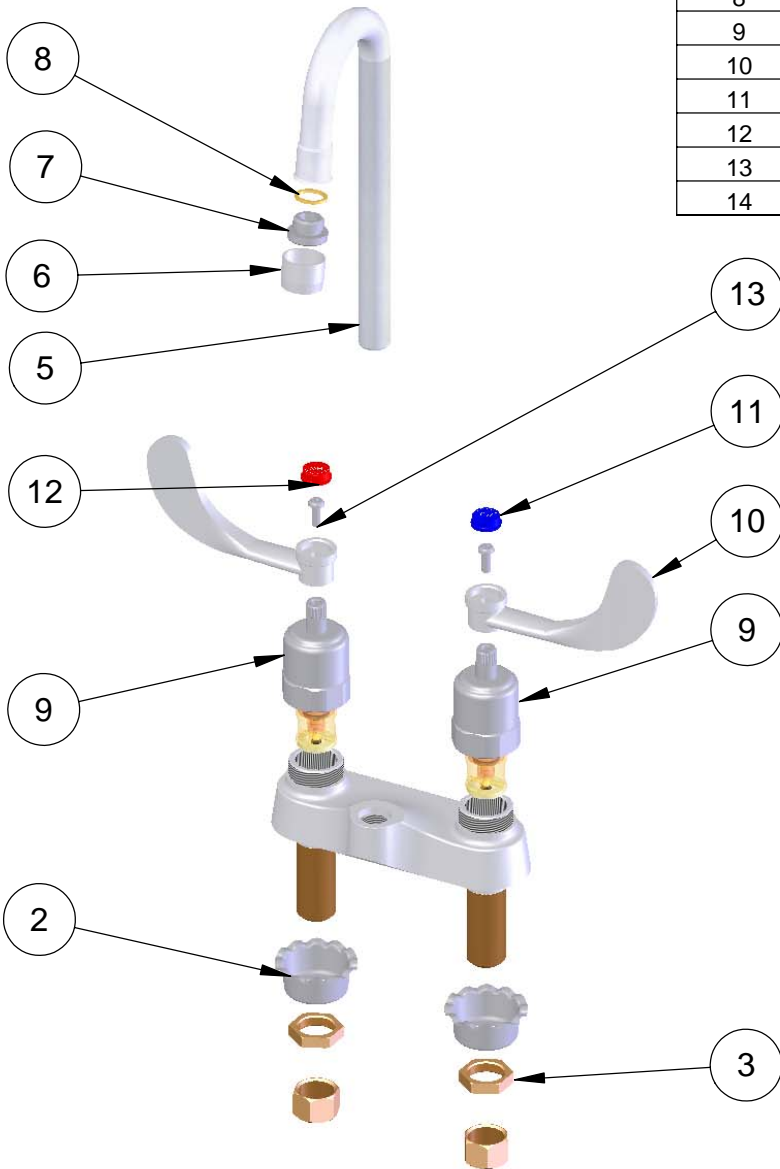
REG. #A2601
ISO #9001

Model No.
B-0834-01

Item No.

Travelers Rest, SC: 800-476-4103 Simi Valley, CA: 800-423-0150 Fax: 864-834-3518 www.tsbrass.com

Item No.	Sales No.	Description
1	010963-40	4" Centerset Body
2	001000-45	Rosette Washer
3	002954-45	Shank Lock Nut
5	000393-40	Rigid Gooseneck
6	B-0199-01	2.2 GPM Aerator
7	044A	3/8" to Aer. Adapter
8	009636-45	Washer
9	012449-40	Wrist Action Metering Cartridge
10	B-WH4	4" Wrist Action Handle
11	001686-45	Blue CW Index
12	001194-45	Red HW Index
13	000925-45	Lab Handle Screw
14	000958-20	Coupling Nut



Product Specifications:

4" Centerset Mixing Faucet, 1/2" NPSM Male Shanks,
Wrist Action Metering Cartridges, 4" Wrist Action
Handles, Rigid Gooseneck, & 2.2 GPM Aerator

Drawn WJS	Checked JRM	Approved JHB
Scale: 1:4		Date: 3/13/2006