



T&S BRASS AND BRONZE WORKS, INC.

2 Saddleback Cove / P.O. Box 1088
Travelers Rest, SC 29690



REG. #A2601
ISO #9001

Model No.
B-0892-FC

Item No.

Travelers Rest, SC: 800-476-4103 Simi Valley, CA: 800-423-0150 Fax: 864-834-3518 www.tsbrass.com

This Space for Architect/Engineer Approval

Job Name _____ Date _____

Model Specified _____ Quantity _____

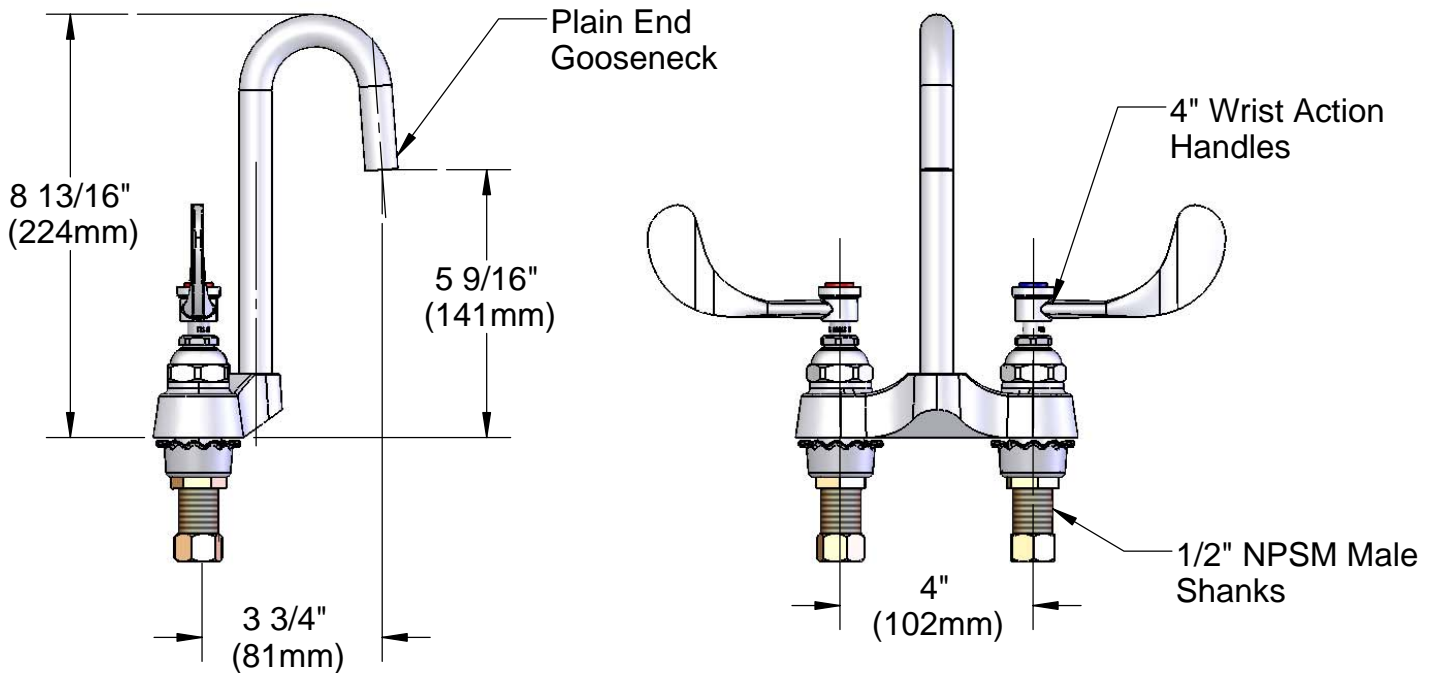
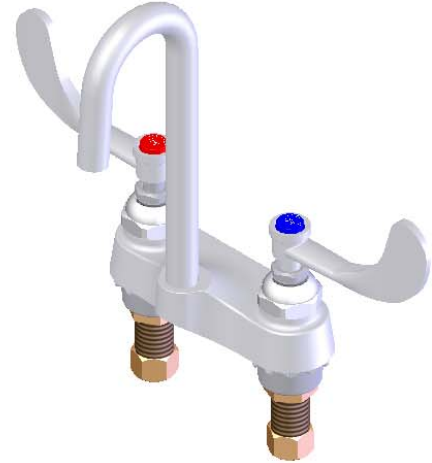
Customer/Wholesaler _____

Contractor _____

Architect/Engineer _____

Variations or Applicable Options:

- WH6 6" Wrist Action Handles
- 177F Lever Handles
- 175F 4-Arm Kitchen Handles



Product Specifications:
4" Centerset Mixing Faucet w/ 1/2" NPSM Male Shanks,
0.7 GPM Flow Control Cartridges, 4" Wrist Action
Handles, Rigid Gooseneck w/ Plain End Outlet

Drawn WJS	Checked JRM	Approved JHB
Scale: 1:4		Date: 3/13/2006



T&S BRASS AND BRONZE WORKS, INC.

2 Saddleback Cove / P.O. Box 1088
Travelers Rest, SC 29690



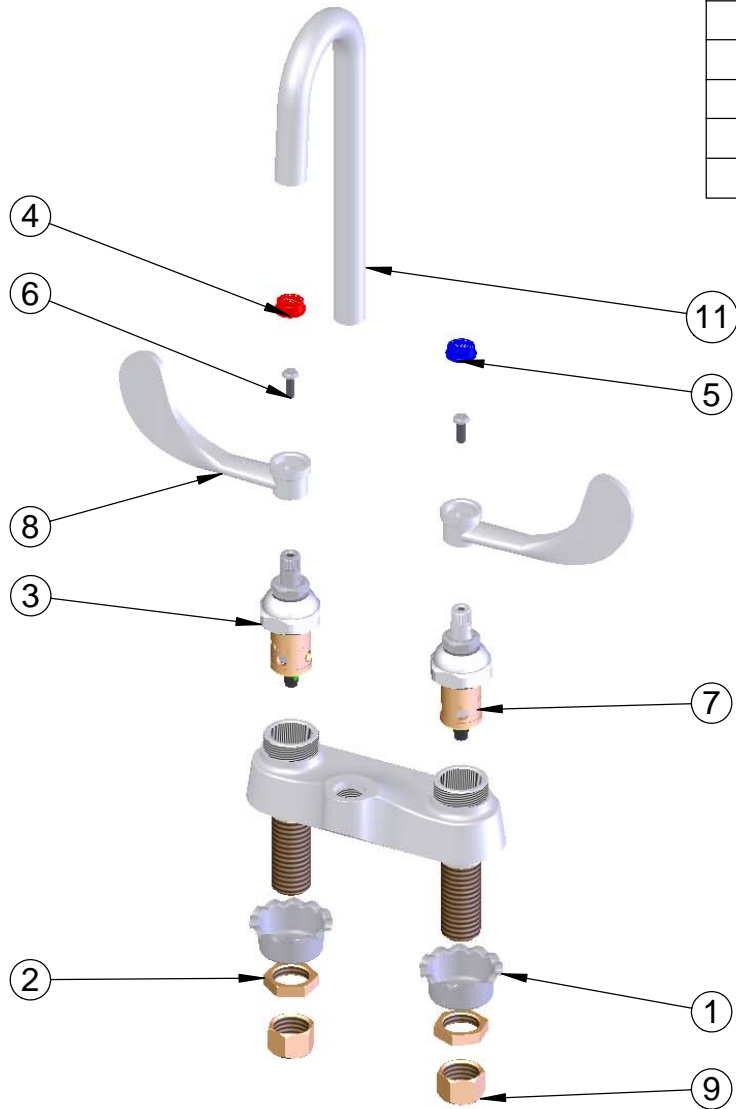
REG. #A2601
ISO #9001

Model No.
B-0892-FC

Item No.

Travelers Rest, SC: 800-476-4103 Simi Valley, CA: 800-423-0150 Fax: 864-834-3518 www.tsbrass.com

ITEM NO.	SALES NO.	DESCRIPTION
1	001000-45	Rosette Washer
2	002954-45	Shank Lock Nut
3	015178-40	Flow Control Cartridge
4	001194-45	Red HW Index
5	001686-45	Blue CW Index
6	000925-45	Lab Handle Screw
7	015177-40	Flow Control Cartridge
8	B-WH4	4" Wrist Action Handle
9	000958-20	Coupling Nut
11	006632-40	Rigid GN



Product Specifications:

4" Centerset Mixing Faucet w/ 1/2" NPSM Male Shanks,
0.7 GPM Flow Control Cartridges, 4" Wrist Action
Handles, Rigid Gooseneck w/ Plain End Outlet

Drawn WJS	Checked JRM	Approved JHB
Scale: 1:4		Date: 3/13/2006