



T&S BRASS AND BRONZE WORKS, INC.

2 Saddleback Cove / P.O. Box 1088
Travelers Rest, SC 29690



REG. #A2601
ISO #9001

Model No.
B-0892

Item No.

Travelers Rest, SC: 800-476-4103 Simi Valley, CA: 800-423-0150 Fax: 864-834-3518 www.tsbrass.com

This Space for Architect/Engineer Approval

Job Name _____ Date _____

Model Specified _____ Quantity _____

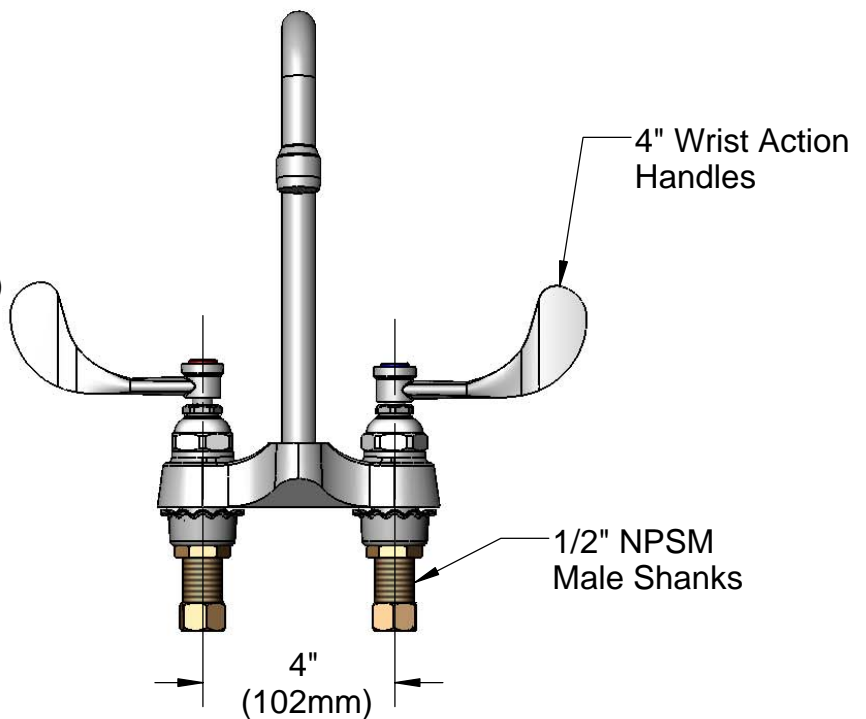
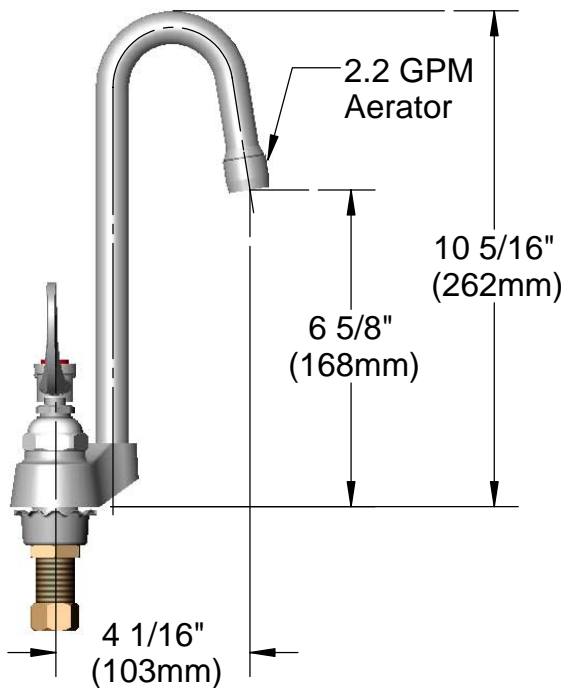
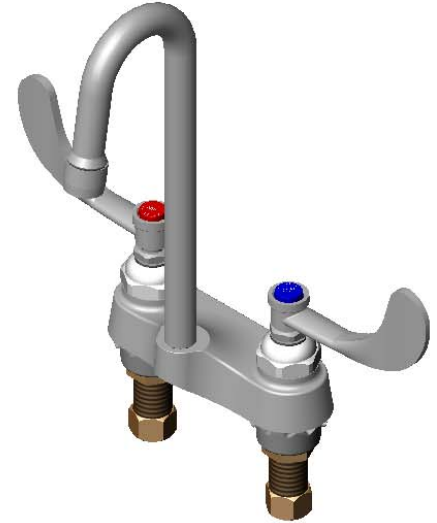
Customer/Wholesaler _____

Contractor _____

Architect/Engineer _____

Variations or Applicable Options:

- WH6 6" Wrist Action Handles
- 177F Lever Handles
- 175F 4-Arm Kitchen Handles
- B-0199-21 2.2 GPM Laminar Flow Outlet



Product Specifications:

4" Centerset Mixing Faucet w/ 1/2" NPSM Male Shanks, Eterna Cartridges, 4" Wrist Action Handles, Rigid Gooseneck w/ 2.2 GPM Aerator

Drawn
WJS

Checked
JRM

Approved
JHB

Scale:

1:4

Date:

3/13/2006



T&S BRASS AND BRONZE WORKS, INC.

2 Saddleback Cove / P.O. Box 1088
Travelers Rest, SC 29690



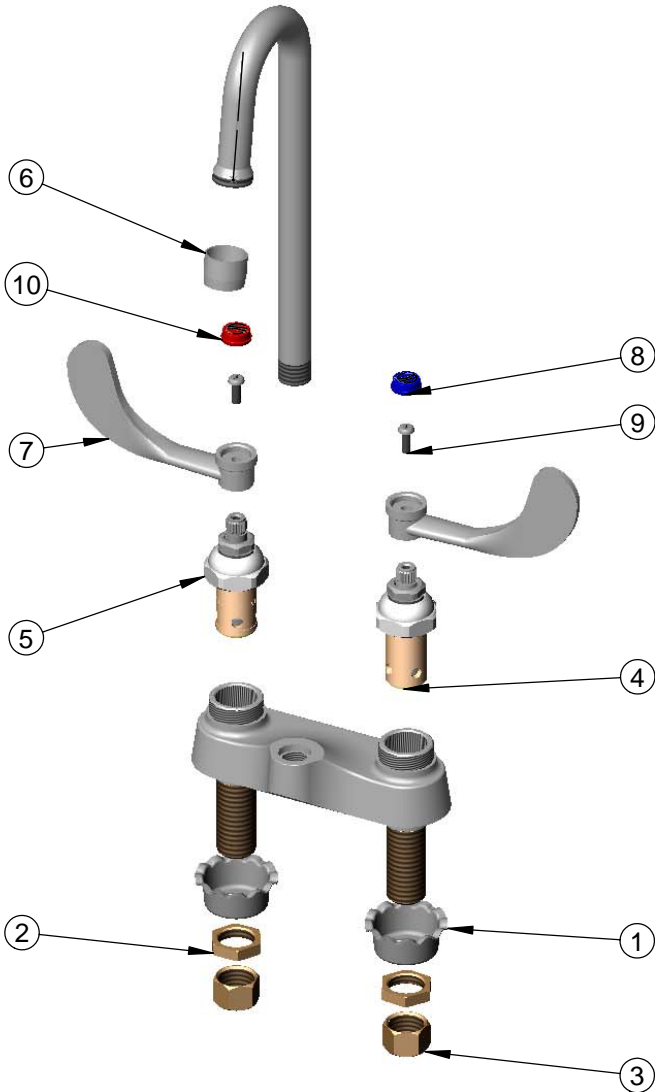
REG. #A2601
ISO #9001

Model No.
B-0892

Item No.

Travelers Rest, SC: 800-476-4103 Simi Valley, CA: 800-423-0150 Fax: 864-834-3518 www.tsbrass.com

ITEM NO.	SALES NO.	DESCRIPTION
1	001000-45	Rosette Washer
2	002954-45	Shank Lock Nut
3	000958-20	Coupling Nut
4	006009-40	Cold Spindle Asm
5	006010-40	Hot Spindle Asm
6	B-0199-01	2.2 GPM Aerator
7	B-WH4	4" Wrist Action Handle
8	001686-45	Blue CW Index
9	000925-45	Lab Handle Screw
10	001194-45	Red HW Index



Product Specifications:

4" Centerset Mixing Faucet w/ 1/2" NPSM Male Shanks,
Eterna Cartridges, 4" Wrist Action Handles,
Rigid Gooseneck w/ 2.2 GPM Aerator

Drawn WJS	Checked JRM	Approved JHB
Scale: 1:4		Date: 3/13/2006