



T&S BRASS AND BRONZE WORKS, INC.

2 Saddleback Cove / P.O. Box 1088
Travelers Rest, SC 29690



REG. #A2601
ISO #9001

Model No.

B-0977

Item No.

Travelers Rest, SC: 800-476-4103 Simi Valley, CA: 800-423-0150 Fax: 864-834-3518 www.tsbrass.com

This Space for Architect/Engineer Approval

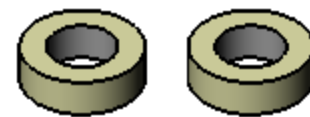
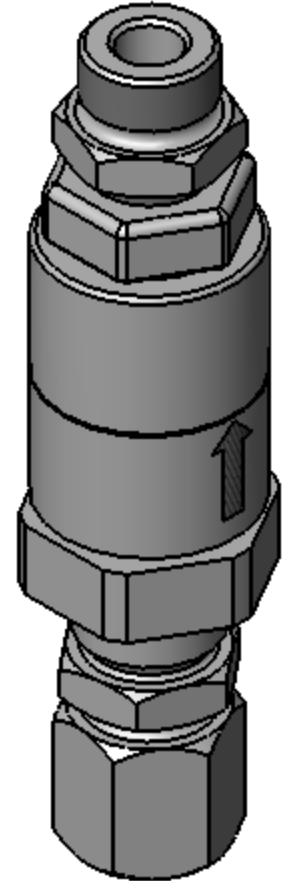
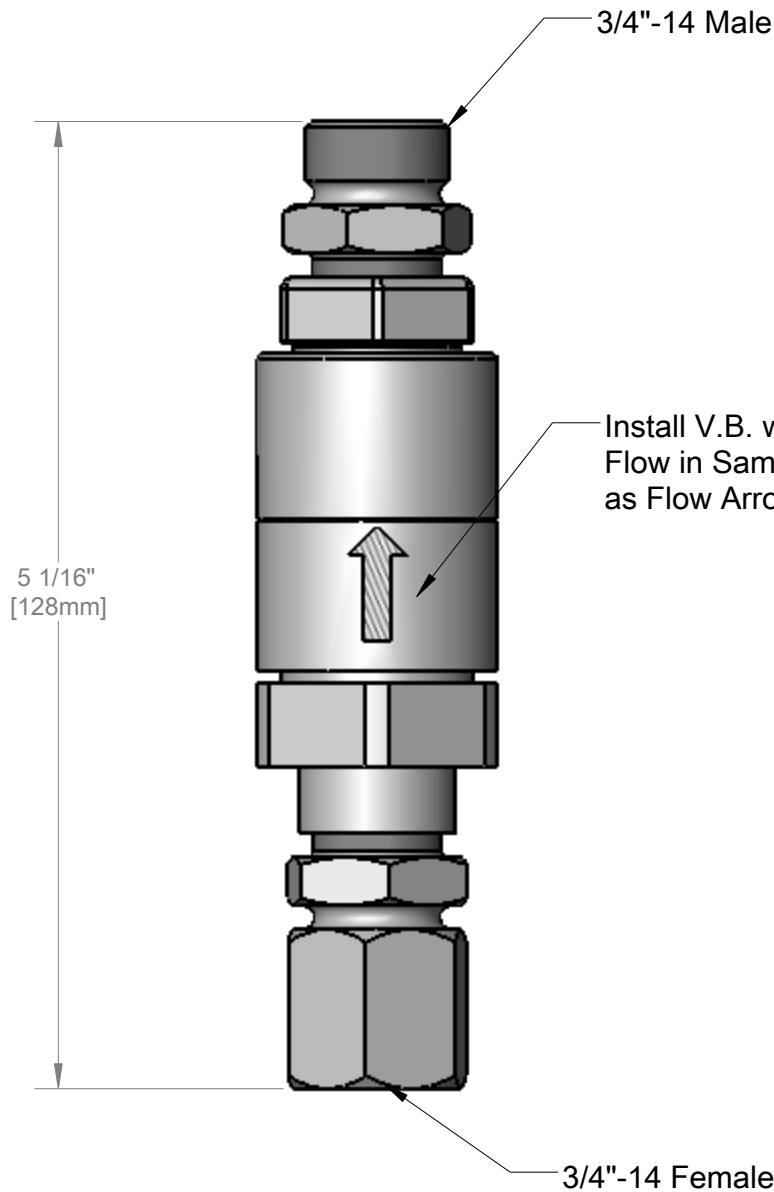
Job Name _____ Date _____

Model Specified _____ Quantity _____

Customer/Wholesaler _____

Contractor _____

Architect/Engineer _____



Furnished w/ (2) #27
Hose Washers

Product Specifications:

Dual Check Valve Type Vacuum Breaker
w/ Adapters for use on 034A Swivel Elbow
ASSE 1024 Certified

Drawn WJS	Checked JRM	Approved JHB
Scale: 1:1	Date: 10/13/06	



T&S BRASS AND BRONZE WORKS, INC.

2 Saddleback Cove / P.O. Box 1088
Travelers Rest, SC 29690



REG. #A2601
ISO #9001

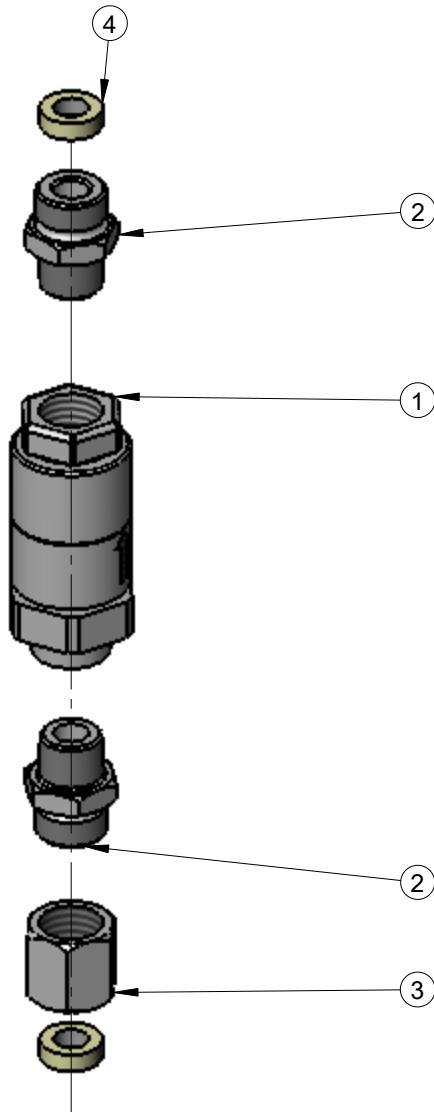
Model No.

B-0977

Item No.

Travelers Rest, SC: 800-476-4103 Simi Valley, CA: 800-423-0150 Fax: 864-834-3518 www.tsbrass.com

ITEM	PART NO.	DESCRIPTION
1	B-0975	Dual Check Valve VB
2	053A	Adapter
3	146X	3/4-14 Coupling
4	010476-45	#27 Washer



Product Specifications:

Dual Check Valve Type Vacuum Breaker
w/ Adapters for use on 034A Swivel Elbow
ASSE 1024 Certified

Drawn
WJS

Checked
JRM

Approved
JHB

Scale:

1:2

Date:

10/13/06