

T&S BRASS AND BRONZE WORKS, INC.

2 Saddleback Cove / P.O. Box 1088
Travelers Rest, SC 29690

Model No.

B-2252

REG. #A2601
ISO #9001

Item No.

Travelers Rest, SC: 800-476-4103 Simi Valley, CA: 800-423-0150 Fax: 864-834-3518 www.tsbrass.com

This Space for Architect/Engineer Approval

Job Name _____ Date _____

Model Specified _____ Quantity _____

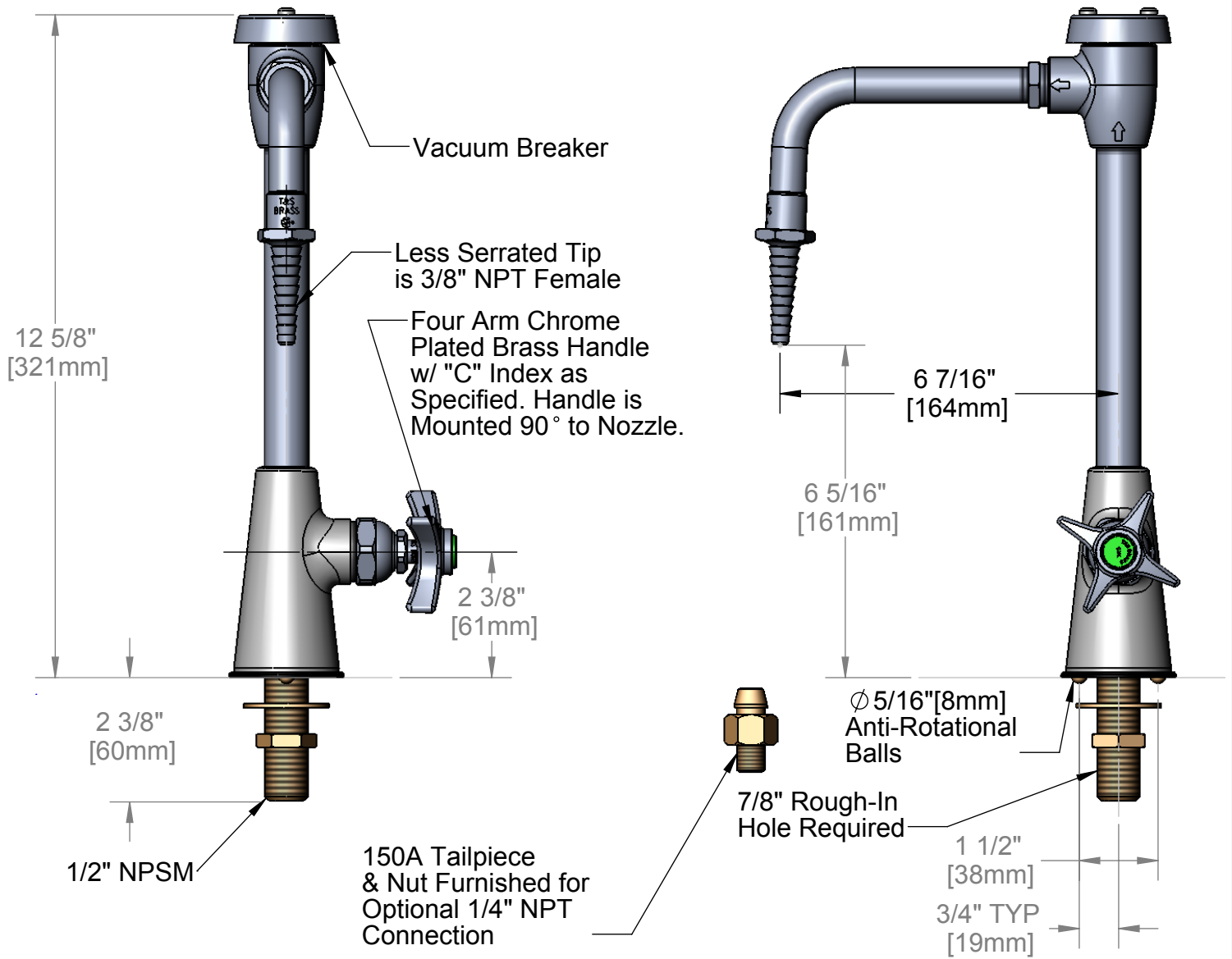
Customer/Wholesaler _____

Contractor _____

Architect/Engineer _____



ADA Compliant



Product Specifications:

Science Lab Fct. w/ 1/2" NPSM Male Shank,
Rigid Vacuum Breaker Nozzle, Serrated Tip,
& Anti-Rotation Ball Feature

Drawn
JRM

Checked
GEF

Approved
JHB

Scale:

1:3

Date:

05/04/07

T&S BRASS AND BRONZE WORKS, INC.

2 Saddleback Cove / P.O. Box 1088
Travelers Rest, SC 29690

Model No.

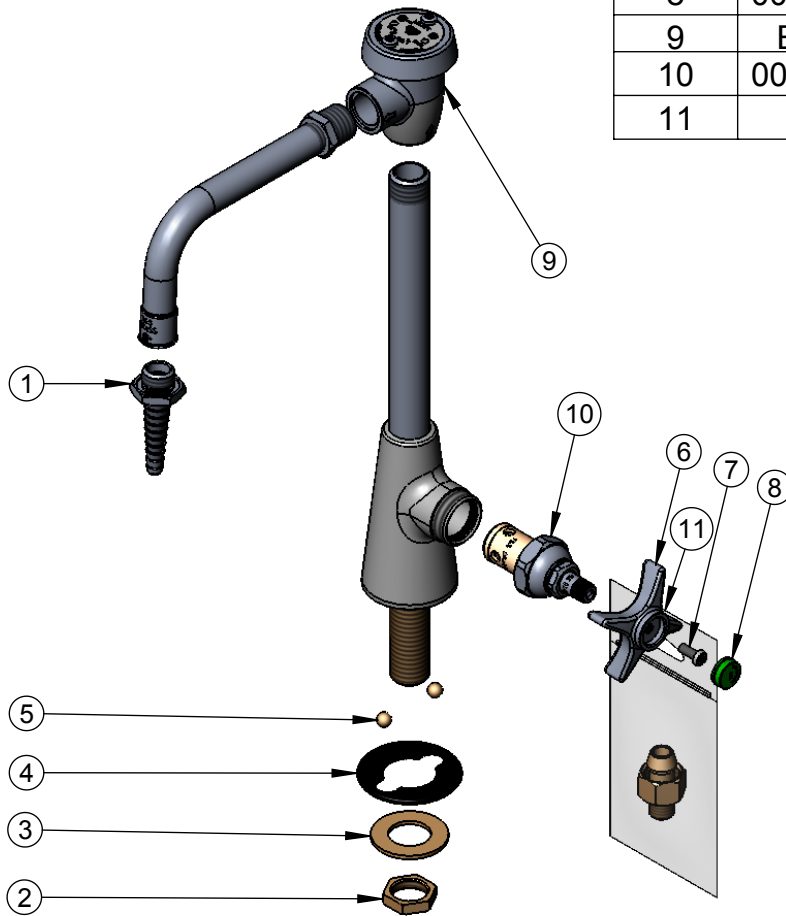
B-2252

REG. #A2601
ISO #9001

Item No.

Travelers Rest, SC: 800-476-4103 Simi Valley, CA: 800-423-0150 Fax: 864-834-3518 www.tsbrass.com

ITEM NO.	SALES NO.	DESCRIPTION
1	B-0198	Serrated Tip
2	002954-45	Shank Lock Nut
3	007361-45	Brass Lock Washer
4	001158-45	Gasket, Polypropylene, Black
5	001408-45	5/16" Brass Ball
6	000059-40	4-Arm Lab Handle
7	000925-45	Lab Handle Screw
8	001191-45	Cap, Index, Green, Cold Water
9	B-0969	Vacuum Breaker, 1/2"
10	005960-40	Spindle Asm, Eterna "Hot"
11	150A	1/4" NPT Tailpiece w/ Nut



Product Specifications:

Science Lab Fct. w/ 1/2" NPSM Male Shank,
Rigid Vacuum Breaker Nozzle, Serrated Tip,
& Anti-Rotation Ball Feature

Drawn
JRM

Checked
GEF

Approved
JHB

Scale:

1:4

Date:

05/04/07