



T&S BRASS AND BRONZE WORKS, INC.

2 Saddleback Cove / P.O. Box 1088
Travelers Rest, SC 29690



REG. #A2601
ISO #9001

Model No.

B-2282-01

Item No.

Travelers Rest, SC: 800-476-4103 Simi Valley, CA: 800-423-0150 Fax: 864-834-3518 www.tsbrass.com

This Space for Architect/Engineer Approval

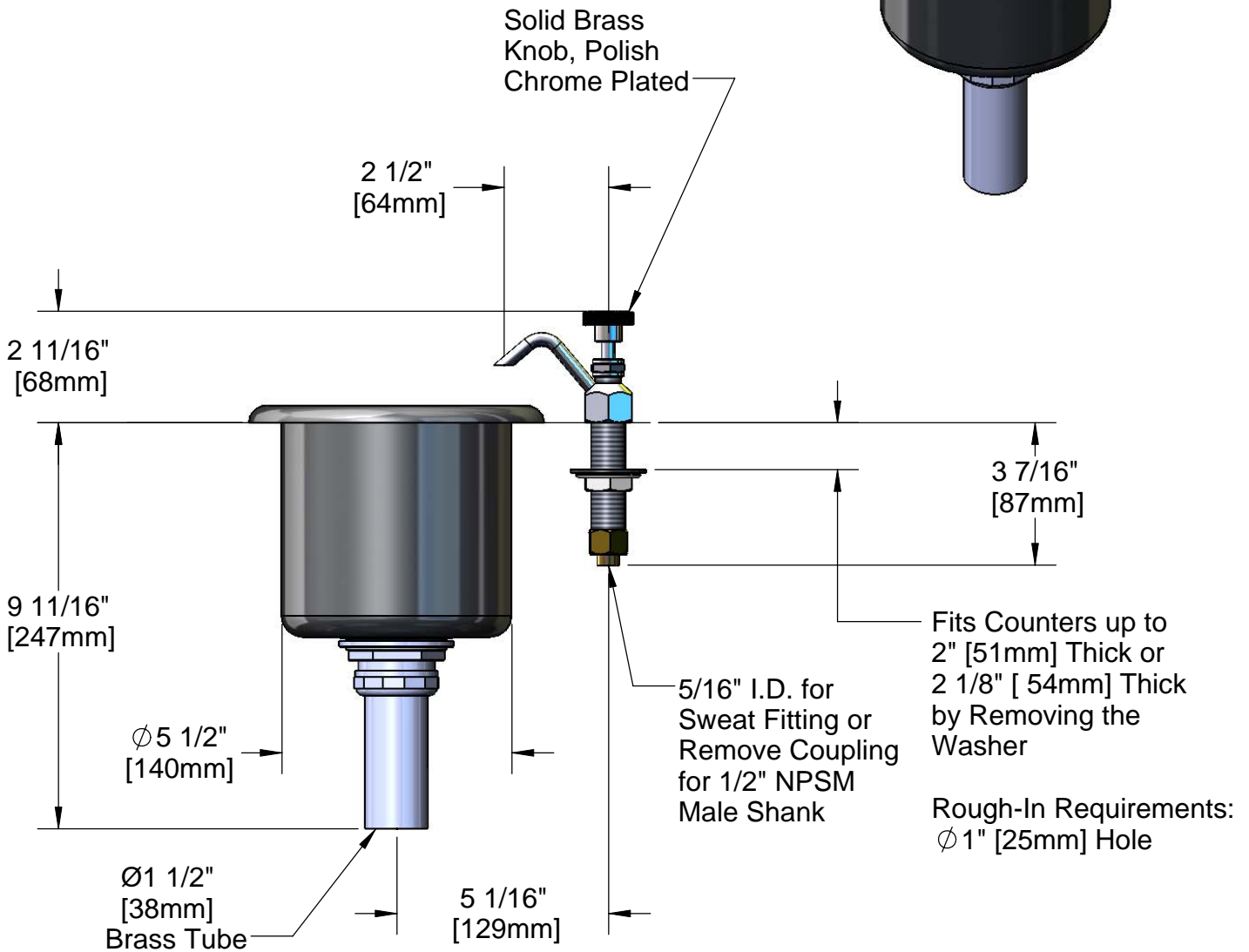
Job Name _____ Date _____

Model Specified _____ Quantity _____

Customer/Wholesaler _____

Contractor _____

Architect/Engineer _____



Product Specifications:

Dipperwell Faucet w/ Drain, Stainless Steel Bowl & Inner Overflow Cup

Drawn DHL	Checked GEF	Approved JHB
Scale: 1:4		Date: 06/30/08



T&S BRASS AND BRONZE WORKS, INC.

2 Saddleback Cove / P.O. Box 1088
Travelers Rest, SC 29690



REG. #A2601
ISO #9001

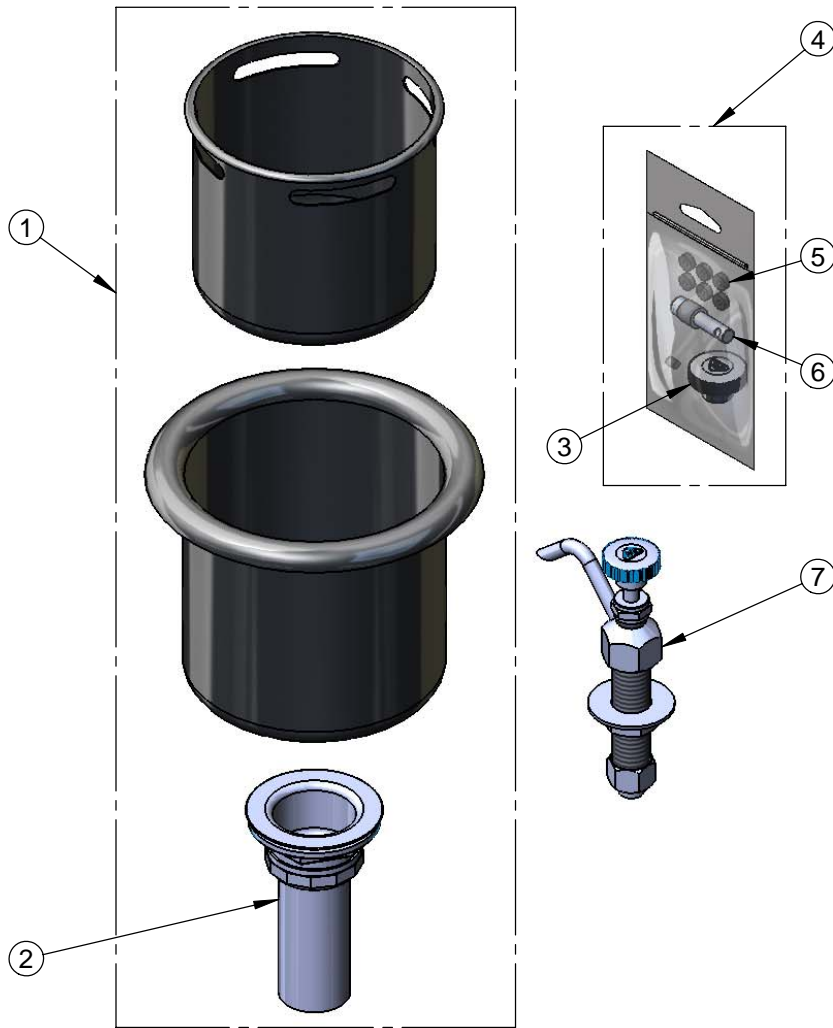
Model No.

B-2282-01

Item No.

Travelers Rest, SC: 800-476-4103 Simi Valley, CA: 800-423-0150 Fax: 864-834-3518 www.tsbrass.com

ITEM NO.	SALES NO.	DESCRIPTION
1	006678-45	Dipperwell w/ Stainless Steel Overflow Cup & Drain
2	017225-45	Dipperwell Drain
3	014041-45	Dipperwell Knob w/ Set Screw
4	B-2282-RK	Parts Kit for Dipperwell
5	012481-45	Seat Washer for Dipperwell Stem
6	006680-45	Dipperwell Stem, Seat Washer & Screw
7	B-2282	Dipperwell Faucet



Product Specifications:

Dipperwell Faucet w/ Drain, Stainless Steel Bowl & Inner Overflow Cup

Drawn

DHL

Checked

GEF

Approved

JHB

Scale:

1:4

Date:

06/30/08