



T&S BRASS AND BRONZE WORKS, INC.

2 Saddleback Cove / P.O. Box 1088
Travelers Rest, SC 29690



REG. #A2601
ISO #9001

Model No.
B-2325

Item No.

Travelers Rest, SC: 800-476-4103 Simi Valley, CA: 800-423-0150 Fax: 864-834-3518 www.tsbrass.com

This Space for Architect/Engineer Approval

Job Name _____ Date _____

Model Specified _____ Quantity _____

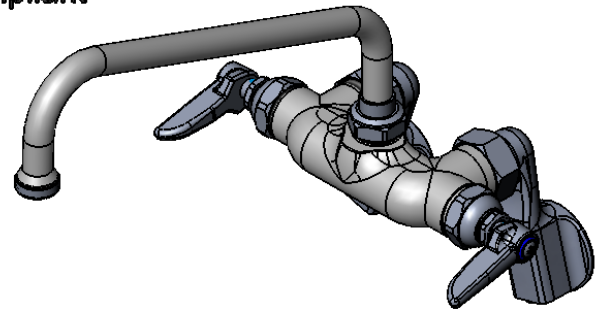
Customer/Wholesaler _____

Contractor _____

Architect/Engineer _____

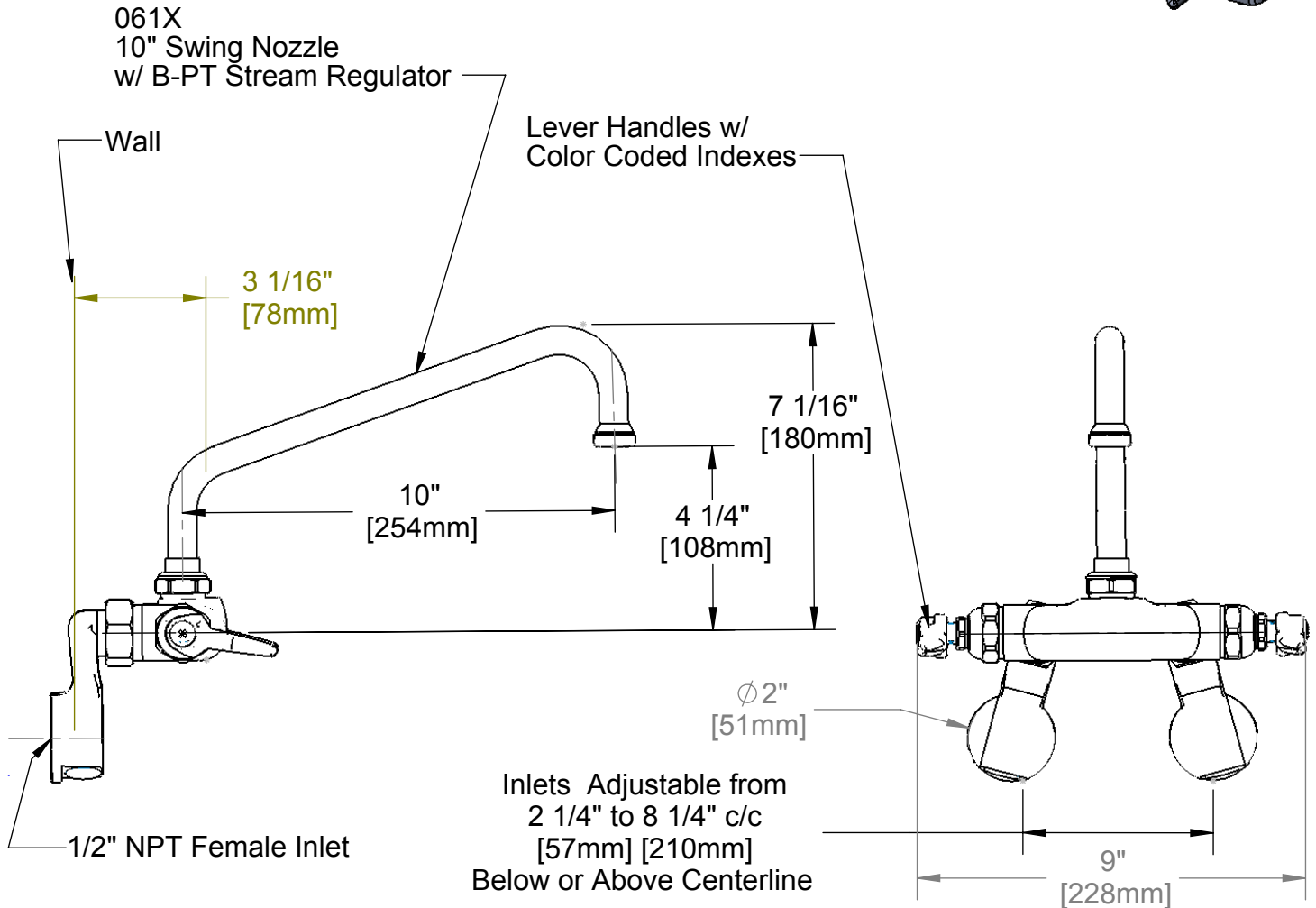


ADA Compliant



Notes:

1. Nozzle Swings 360°
2. Also Available with B-0199-01 Non-splash Aerator



Product Specifications:

**Polish Chrome Mixing Faucet
w/ (61X) 10" Swing Nozzle
& 1/2" NPT Adjustable Inlet Arms**

Drawn ARH	Checked DHL	Approved JHB
Scale: 1:4		Date: 12/20/07



T&S BRASS AND BRONZE WORKS, INC.

2 Saddleback Cove / P.O. Box 1088
Travelers Rest, SC 29690



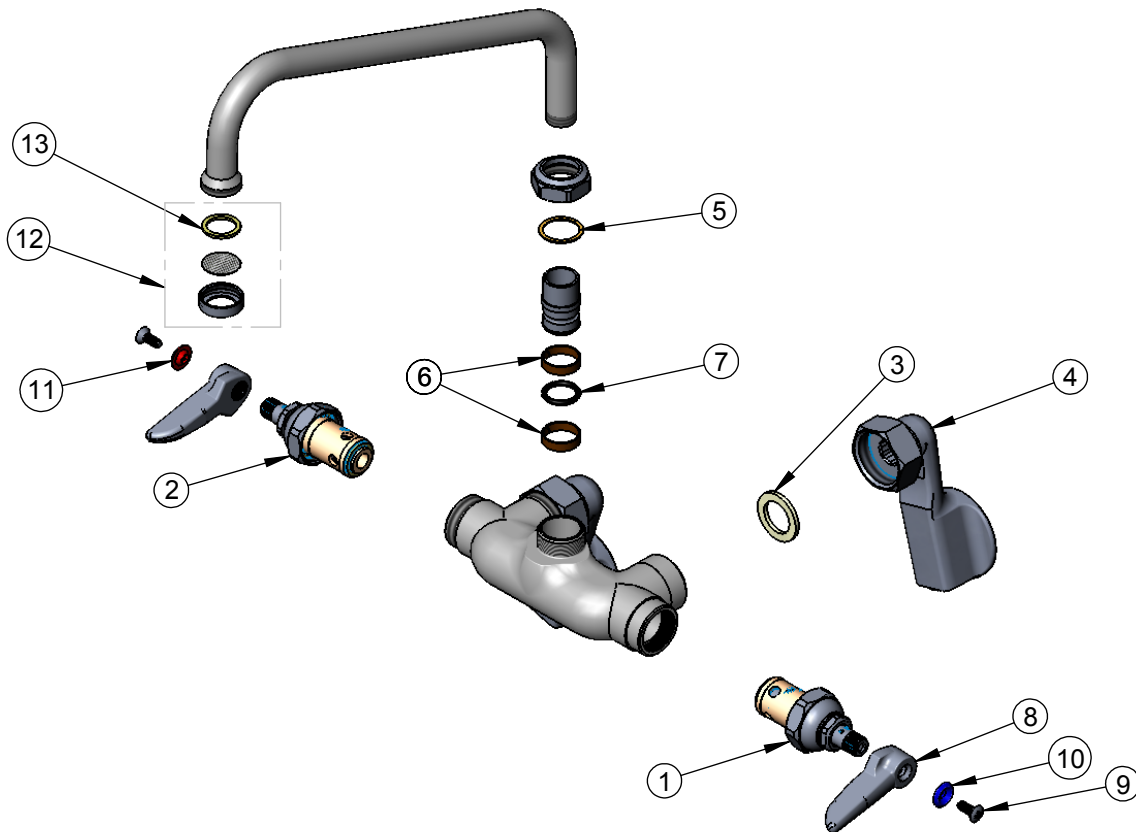
REG. #A2601
ISO #9001

Model No.
B-2325

Item No.

Travelers Rest, SC: 800-476-4103 Simi Valley, CA: 800-423-0150 Fax: 864-834-3518 www.tsbrass.com

ITEM NO.	SALES NO.	DESCRIPTION
1	005959-40	Spindle Asm. Eterna "Cold"
2	005960-40	Spindle Asm, Eterna "Hot"
3	001019-45	Washer, Coupling Nut
4	00GG	Flange Assembly, 1/2" NPT, Adjustable
5	009538-45	Swivel Washer
6	011429-45	Swivel Sleeves (2)
7	001074-45	O-Ring
8	001638-45	Lever Handle
9	000922-45	Lever Handle Screw
10	001660-45	Blue Index-CW
11	001661-45	Red Index-HW
12	B-PT	Stream Regulator
13	009638-45	Washer



Product Specifications:

Polish Chrome Mixing Faucet
w/ (61X) 10" Swing Nozzle
& 1/2" NPT Adjustable Inlet Arms

Drawn ARH	Checked DHL	Approved JHB
Scale: 1:4		Date: 12/20/07