



T&S BRASS AND BRONZE WORKS, INC.

2 Saddleback Cove / P.O. Box 1088
Travelers Rest, SC 29690



REG. #A2601
ISO #9001

Model No.

B-2852

Item No.

Travelers Rest, SC: 800-476-4103 Simi Valley, CA: 800-423-0150 Fax: 864-834-3518 www.tsbrass.com

This Space for Architect/Engineer Approval

Job Name _____ Date _____

Model Specified _____ Quantity _____

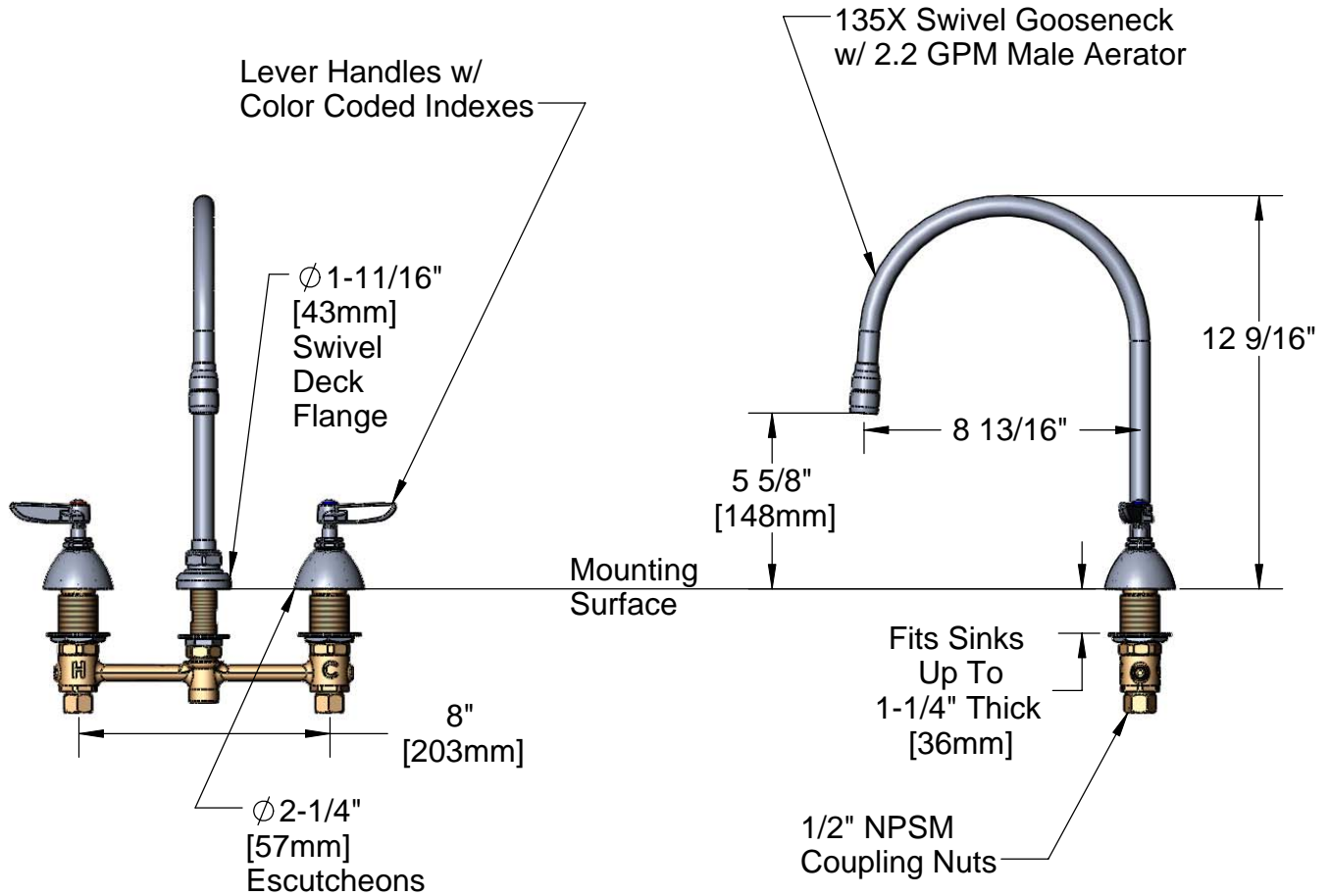
Customer/Wholesaler _____

Contractor _____

Architect/Engineer _____



ADA Compliant



Note: Rough-In Required:

ϕ 1" [25mm] for Center Shank

ϕ 1-1/2" [38mm] for Hot/Cold Side [1-1/4" [32mm] Minimum]

Product Specifications:

**EasyInstall Faucet, Lever Handles,
Compression Cartridges, 8" Inlet Centers
& 135X Gooseneck w/ 2.2 GPM Male Aerator**

Drawn
JRM

Checked
GEF

Approved
JHB

Scale:

NTS

Date:

9/11/08



T&S BRASS AND BRONZE WORKS, INC.

2 Saddleback Cove / P.O. Box 1088
Travelers Rest, SC 29690



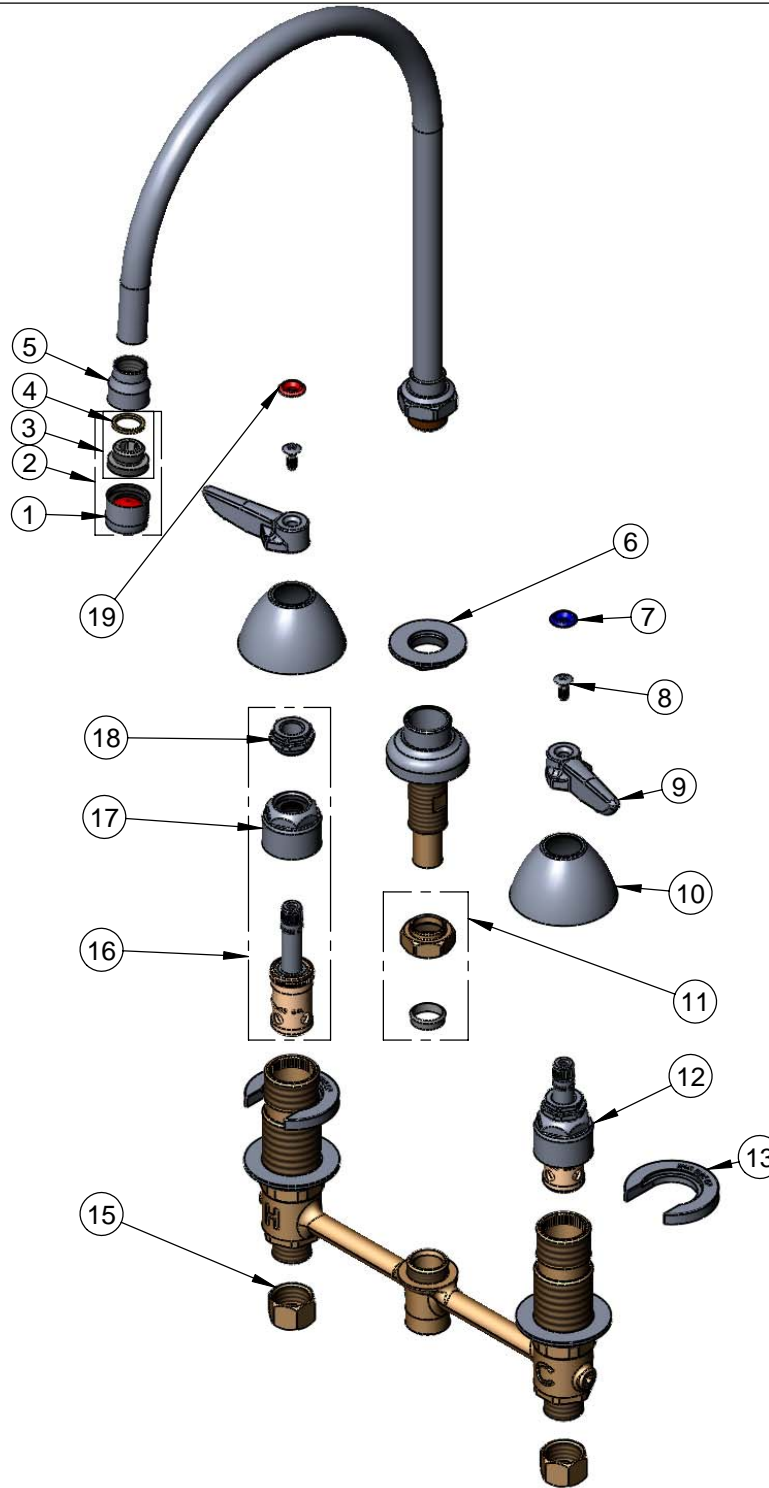
REG. #A2601
ISO #9001

Model No.

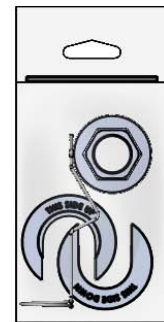
B-2852

Item No.

Travelers Rest, SC: 800-476-4103 Simi Valley, CA: 800-423-0150 Fax: 864-834-3518 www.tsbrass.com



ITEM NO.	SALES NO.	DESCRIPTION
1	B-0199-01	2.2GPM Aerator
2	B-0199-02	2.2 GPM Male Aerator
3	044A	Adapter
4	001043-45	Washer
5	000557-25	Bell Adapter
6	016742-45	Center Flange Nut
7	001660-45	Blue Index-CW
8	000922-45	Lever Handle Screw
9	001638-45	Lever Handle
10	001257-40	Bell Escutcheon
11	016745-45	Compression Nut & Fitting
12	016752-40	EasyInstall CWS LTC Eterna (Teflon)
13	016749-45	C-Washer
14	016777-45	CWS Hanger
15	000958-20	Coupling Nut
16	016753-40	EasyInstall CWS RTC Eterna (Teflon)
17	016743-25	CWS Bonnet Assembly
18	009002-25	Packing Nut Assembly
19	001661-45	Red Index-HW



017245-40

Installation Repair Kit
Includes #6, (2)#13, & #14

Product Specifications:

EasyInstall Faucet, Lever Handles,
Compression Cartridges, 8" Inlet Centers
& 135X Gooseneck w/ 2.2 GPM Male Aerator

Drawn JRM	Checked GEF	Approved JHB
Scale: NTS		Date: 9/11/08