



T&S BRASS AND BRONZE WORKS, INC.

2 Saddleback Cove / P.O. Box 1088
Travelers Rest, SC 29690



REG. #A2601
ISO #9001

Model No.

B-2855-01

Item No.

Travelers Rest, SC: 800-476-4103 Simi Valley, CA: 800-423-0150 Fax: 864-834-3518 www.tsbrass.com

This Space for Architect/Engineer Approval

Job Name _____ Date _____

Model Specified _____ Quantity _____

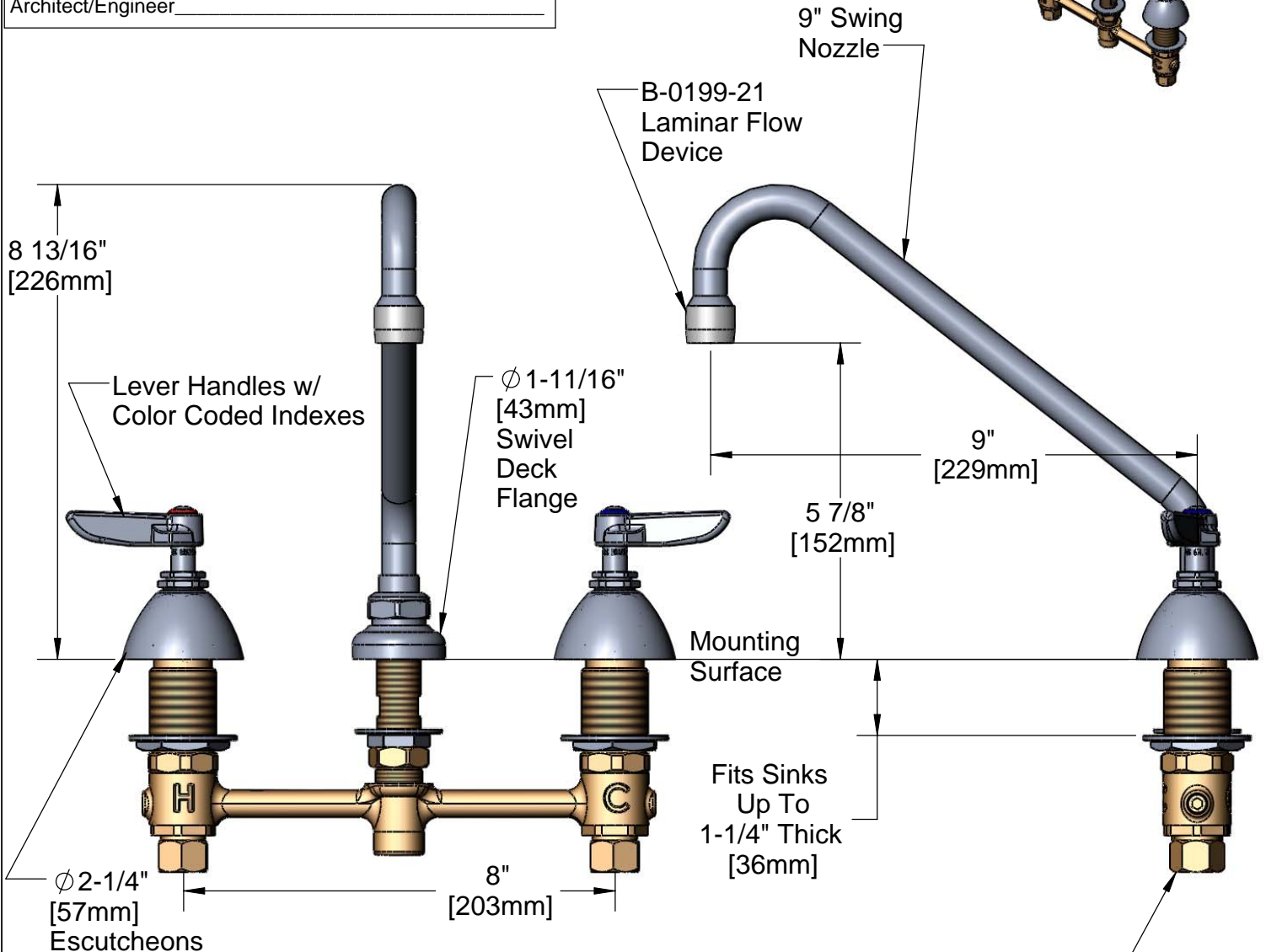
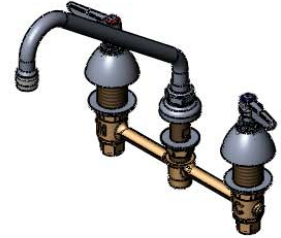
Customer/Wholesaler _____

Contractor _____

Architect/Engineer _____



ADA Compliant



Note: Rough-In Required:
 Ø 1" [25mm] for Center Shank
 Ø 1-1/2" [38mm] for Hot/Cold Side [1-1/4" [32mm] Minimum]

Product Specifications:

**EasyInstall Faucet, 1.5 GPM Flow Control,
Lever Handles, Compression Cartridges, 8" Inlet Centers
& 9" Swing Nozzle w/ Laminar Flow Device**

Drawn JRM	Checked GEF	Approved JHB
Scale: NTS		Date: 9/11/08



T&S BRASS AND BRONZE WORKS, INC.

2 Saddleback Cove / P.O. Box 1088
Travelers Rest, SC 29690



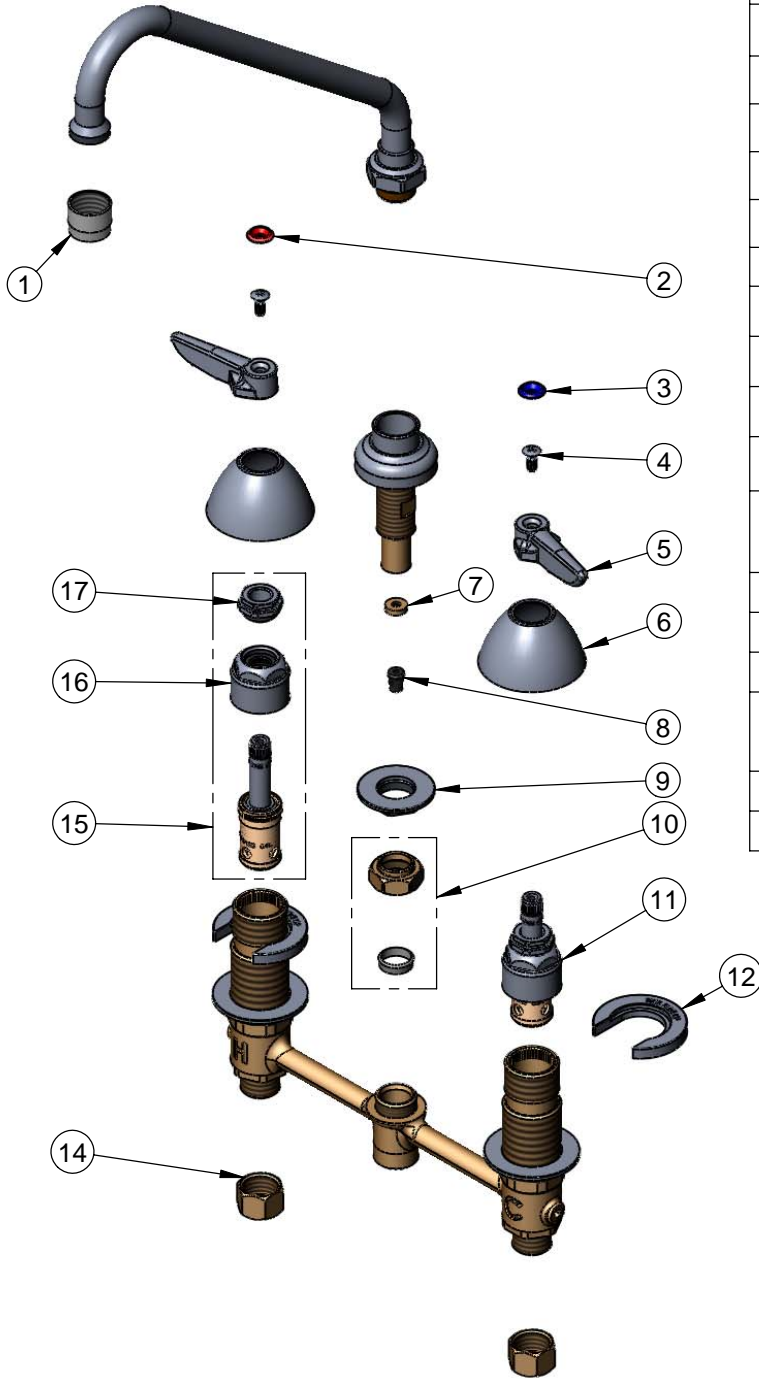
REG. #A2601
ISO #9001

Model No.

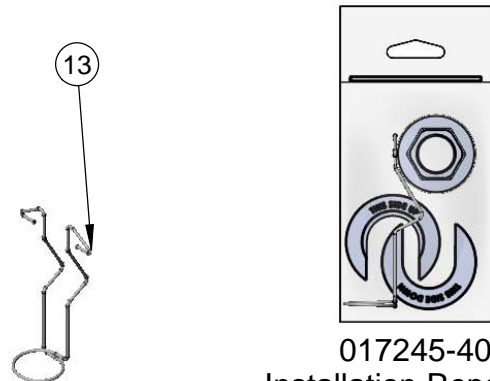
B-2855-01

Item No.

Travelers Rest, SC: 800-476-4103 Simi Valley, CA: 800-423-0150 Fax: 864-834-3518 www.tsbrass.com



ITEM NO.	SALES NO.	DESCRIPTION
1	B-0199-21	Laminar Flow Device
2	001661-45	Red Index-HW
3	001660-45	Blue Index-CW
4	000922-45	Lever Handle Screw
5	001638-45	Lever Handle
6	001257-40	Bell Escutcheon
7	009069-45	Flow Control Holder
8	001644-45	1.5 GPM Flow Tower
9	016742-45	Center Flange Nut
10	016745-45	Compression Nut & Fitting
11	016752-40	CWS EasyInstall LTC Eterna (Teflon)
12	016749-45	C-Washer
13	016777-45	CWS Hanger
14	000958-20	Coupling Nut
15	016753-40	CWS EasyInstall RTC Eterna (Teflon)
16	016743-25	CWS Bonnet Assembly
17	009002-25	Packing Nut Assembly



017245-40
Installation Repair Kit
Includes #9, (2)#12, & #13

Product Specifications:

EasyInstall Faucet, 1.5 GPM Flow Control,
Lever Handles, Compression Cartridges, 8" Inlet Centers
& 9" Swing Nozzle w/ Laminar Flow Device

Drawn JRM	Checked GEF	Approved JHB
Scale: NTS		Date: 9/11/08