



T&S BRASS AND BRONZE WORKS, INC.

2 Saddleback Cove / P.O. Box 1088
Travelers Rest, SC 29690



REG. #A2601
ISO #9001

Model No.
B-2856

Item No.

Travelers Rest, SC: 800-476-4103 Simi Valley, CA: 800-423-0150 Fax: 864-834-3518 www.tsbrass.com

This Space for Architect/Engineer Approval

Job Name _____ Date _____

Model Specified _____ Quantity _____

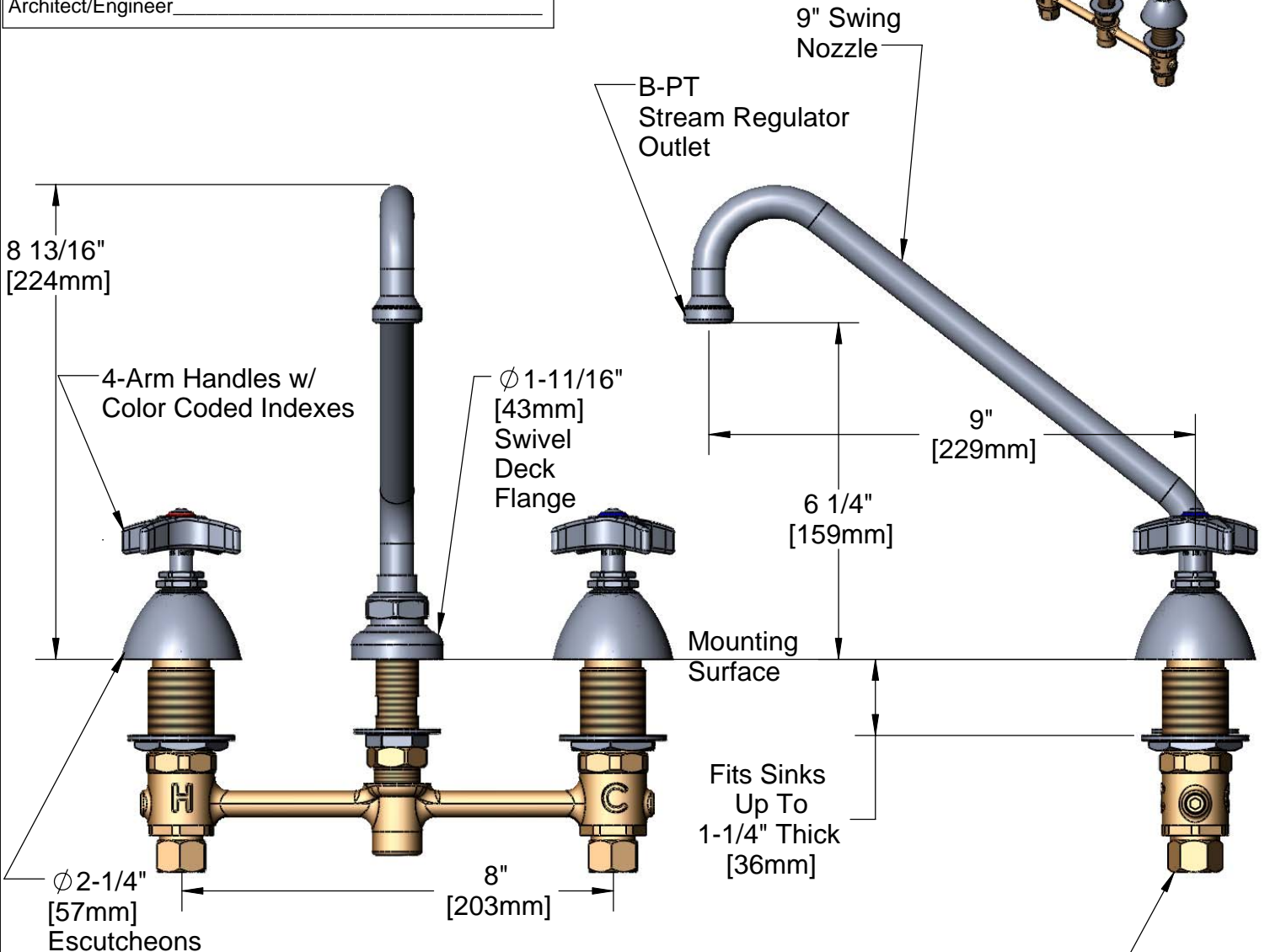
Customer/Wholesaler _____

Contractor _____

Architect/Engineer _____



ADA Compliant



Note: Rough-In Required:
 Ø 1" [25mm] for Center Shank
 Ø 1-1/2" [38mm] for Hot/Cold Side [1-1/4" [32mm] Minimum]

Product Specifications:

EasyInstall Faucet, 4-Arm Handles, 2 "Hot" Compression Cartridges, 8" Inlet Centers & 9" Swing Nozzle w/ Stream Regulator Outlet

Drawn JRM	Checked GEF	Approved JHB
Scale: NTS		Date: 09/11/08



T&S BRASS AND BRONZE WORKS, INC.

2 Saddleback Cove / P.O. Box 1088
Travelers Rest, SC 29690



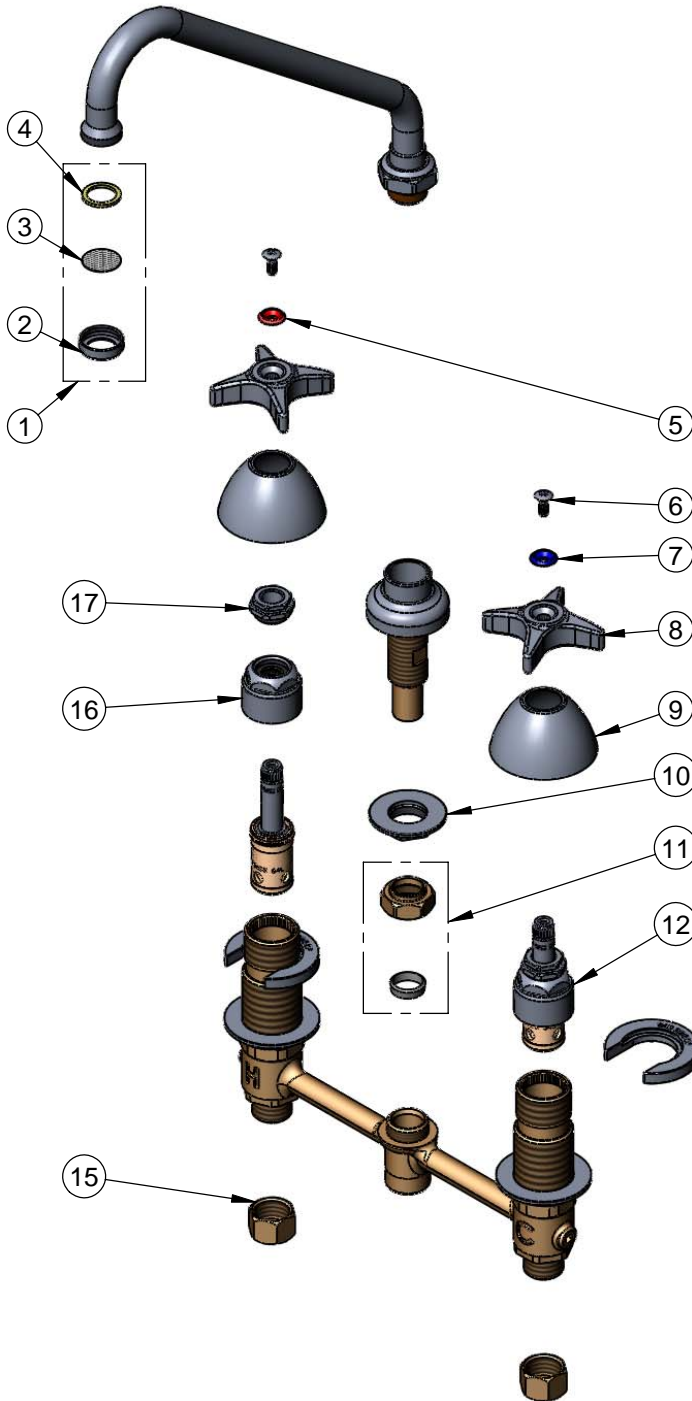
REG. #A2601
ISO #9001

Model No.

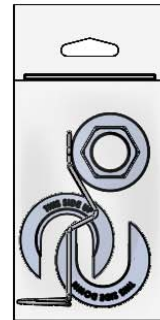
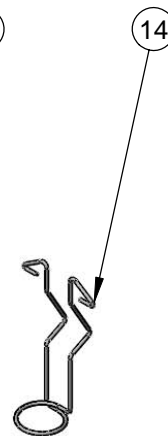
B-2856

Item No.

Travelers Rest, SC: 800-476-4103 Simi Valley, CA: 800-423-0150 Fax: 864-834-3518 www.tsbrass.com



ITEM NO.	SALES NO.	DESCRIPTION
1	B-PT	Stream Regulator Outlet
2	000863-25	Index Ring
3	001323-45	Screen
4	001048-45	Washer
5	001661-45	Red Index-HW
6	000922-45	Lever Handle Screw
7	001660-45	Blue Index-CW
8	002521-45	4-Arm Handle
9	001257-40	Bell Escutcheon
10	016742-45	Center Flange Nut
11	016745-45	Compression Nut & Fitting
12	016753-40	EasyInstall CWS RTC Eterna (Teflon)
13	016749-45	C-Washer
14	016777-45	CWS Hanger
15	000958-20	Coupling Nut
16	016743-25	CWS Bonnet Assembly
17	009002-25	Packing Nut Assembly



017245-40
Installation Repair Kit
Includes #10, (2)#13, & #14

Product Specifications:

EasyInstall Faucet, 4-Arm Handles,
2 "Hot" Compression Cartridges, 8" Inlet Centers &
9" Swing Nozzle w/ Stream Regulator Outlet

Drawn JRM	Checked GEF	Approved JHB
Scale: NTS		Date: 09/11/08