



T&S BRASS AND BRONZE WORKS, INC.

2 Saddleback Cove / P.O. Box 1088
Travelers Rest, SC 29690



REG. #A2601
ISO #9001

Model No.

B-2864

Item No.

Travelers Rest, SC: 800-476-4103 Simi Valley, CA: 800-423-0150 Fax: 864-834-3518 www.tsbrass.com

This Space for Architect/Engineer Approval

Job Name _____ Date _____

Model Specified _____ Quantity _____

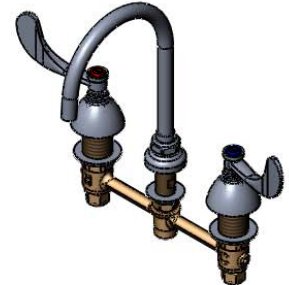
Customer/Wholesaler _____

Contractor _____

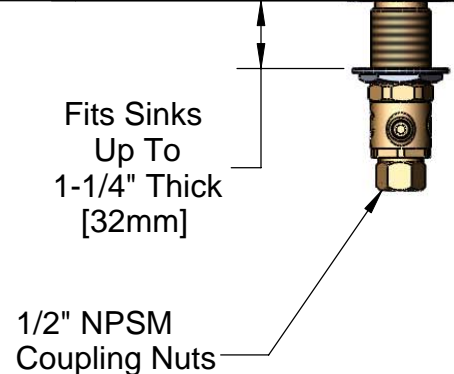
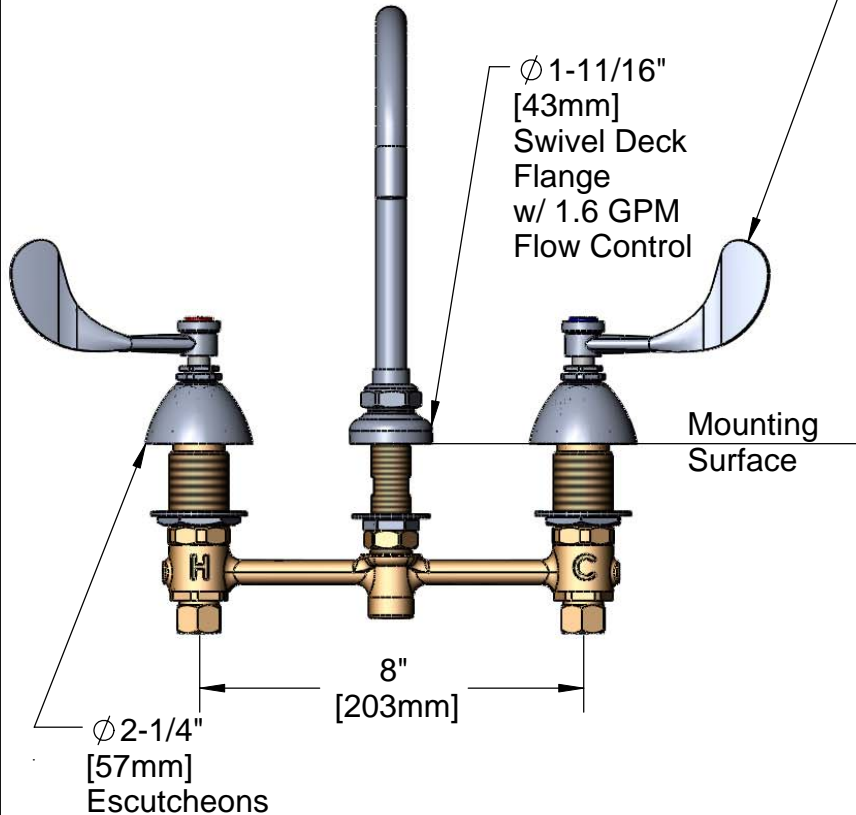
Architect/Engineer _____



ADA Compliant



B-WH4
4" Wrist Action Handles
w/ Color Coded Indexes



Note: Rough-In Required:
 ϕ 1" [25mm] for Center Shank
 ϕ 1-1/2" [38mm] for Hot/Cold Side [1-1/4" [32mm] Minimum]

Product Specifications:
**EasyInstall Faucet w/ 4" Wrist Action Handles,
1.6 GPM Flow Control, Ceramic Cartridges,
8" Inlet Centers & 133XP**

Drawn JRM	Checked GEF	Approved JHB
Scale: NTS		Date: 07/31/08



T&S BRASS AND BRONZE WORKS, INC.

2 Saddleback Cove / P.O. Box 1088
Travelers Rest, SC 29690



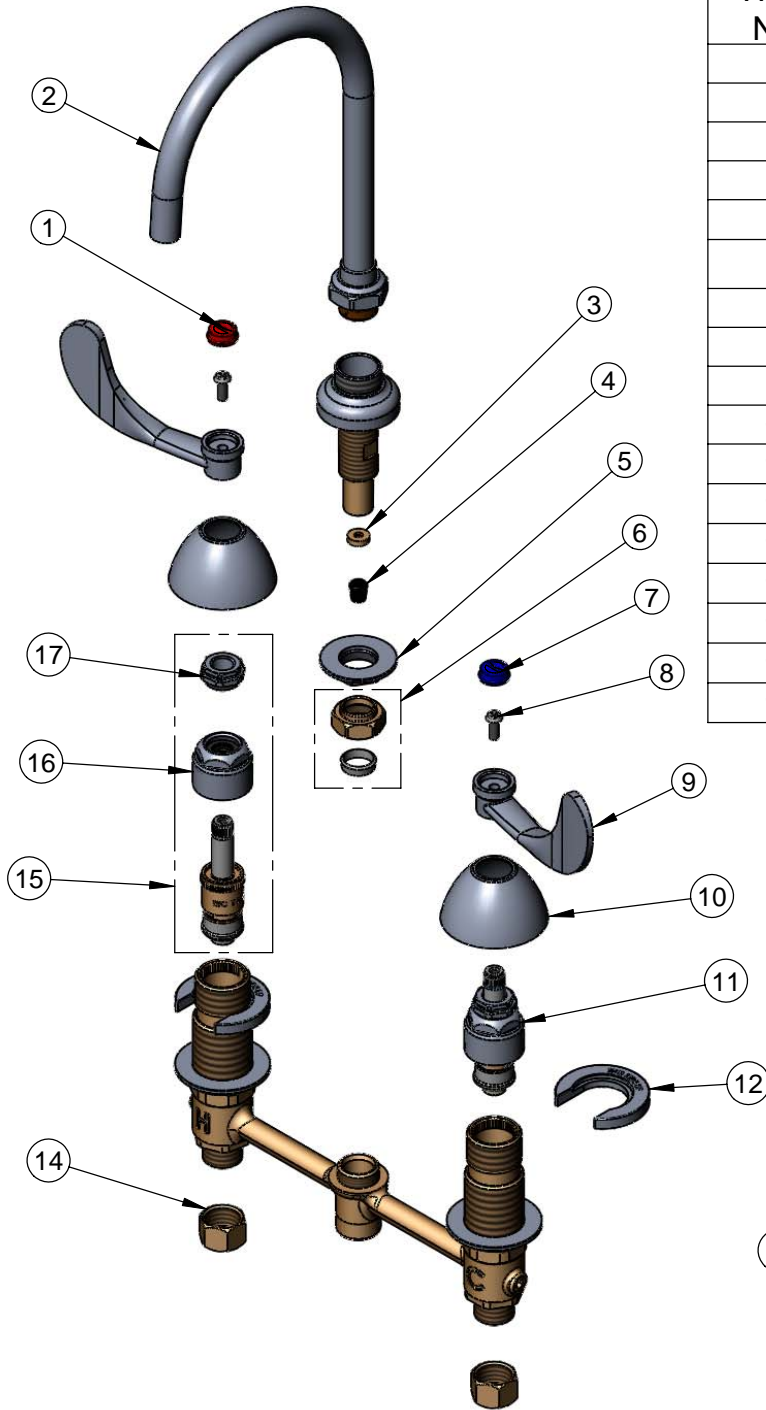
REG. #A2601
ISO #9001

Model No.

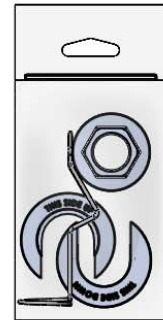
B-2864

Item No.

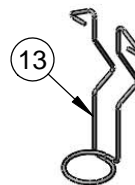
Travelers Rest, SC: 800-476-4103 Simi Valley, CA: 800-423-0150 Fax: 864-834-3518 www.tsbrass.com



ITEM NO.	SALES NO.	DESCRIPTION
1	001194-45	Red HW Index
2	133XP	133X w/ Plain End
3	009069-45	Flow Control Holder
4	016232-45	Flow Tower, 1.6 GPM
5	016742-45	Center Flange Nut
6	016745-45	Compression Nut & Fitting
7	001686-45	Blue CW Index
8	000925-45	Lab Handle Screw
9	B-WH4	4" Wrist Action Handle
10	001257-40	Bell Escutcheon
11	016768-25	EasyInstall LTC Cerama
12	016749-45	Sidebody C-Washer
13	016777-45	CWS Hanger
14	000958-20	Coupling Nut
15	016767-25	EasyInstall RTC Cerama
16	016743-25	CWS Bonnet Assembly
17	009002-25	Packing Nut Assembly



017245-40
Installation Repair Kit
Includes #5, (2)#12, & #13



Product Specifications:

EasyInstall Faucet w/ 4" Wrist Action Handles,
1.6 GPM Flow Control, Ceramic Cartridges,
8" Inlet Centers & 133XP

Drawn JRM	Checked GEF	Approved JHB
Scale: NTS		Date: 07/31/08