



# T&S BRASS AND BRONZE WORKS, INC.

2 Saddleback Cove / P.O. Box 1088  
Travelers Rest, SC 29690



REG. #A2601  
ISO #9001

Model No.  
**B-2866-05FC-CR**

Item No.

Travelers Rest, SC: 800-476-4103 Simi Valley, CA: 800-423-0150 Fax: 864-834-3518 www.tsbrass.com

This Space for Architect/Engineer Approval

Job Name \_\_\_\_\_ Date \_\_\_\_\_

Model Specified \_\_\_\_\_ Quantity \_\_\_\_\_

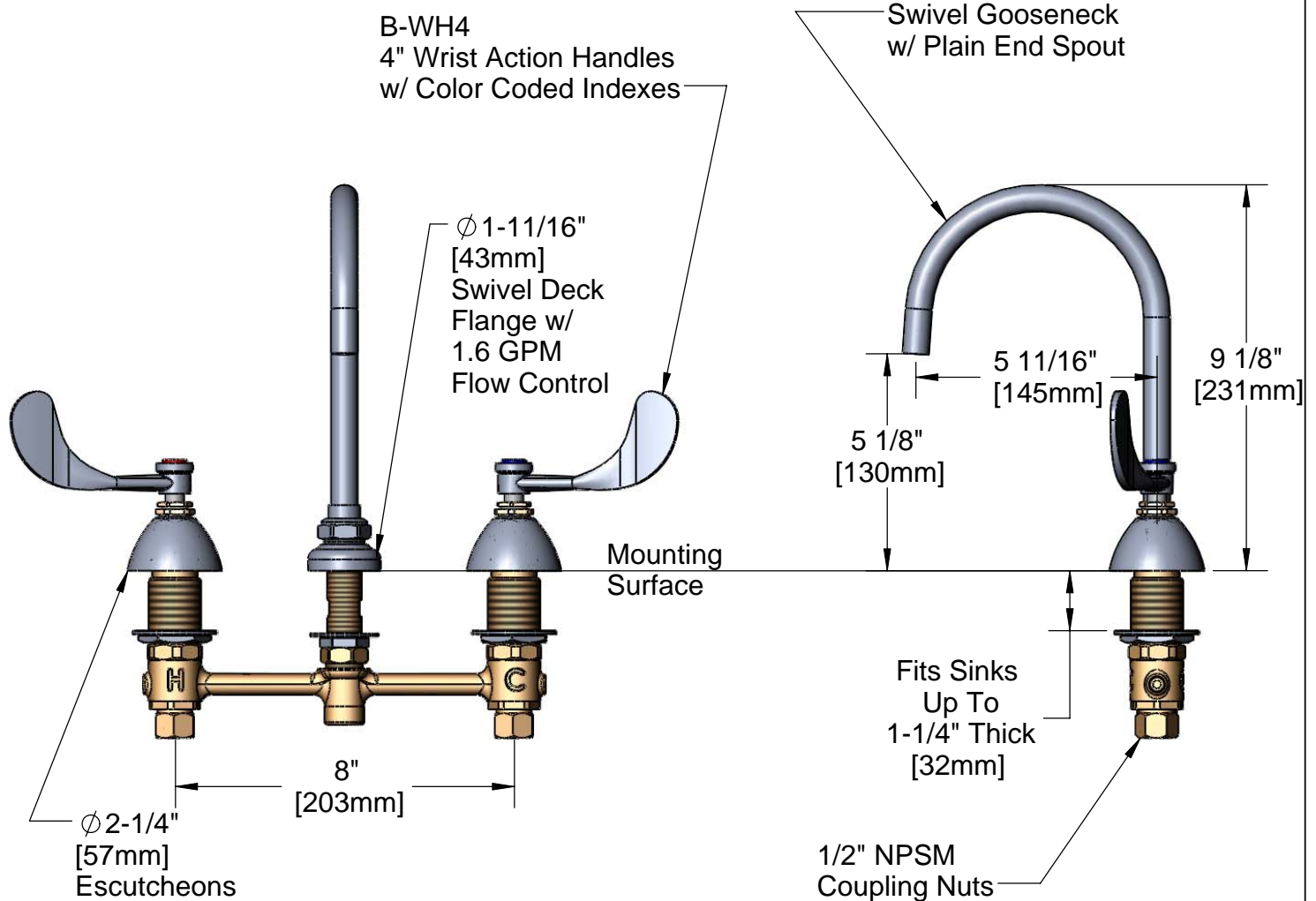
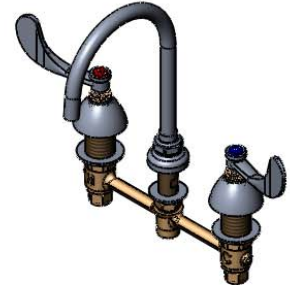
Customer/Wholesaler \_\_\_\_\_

Contractor \_\_\_\_\_

Architect/Engineer \_\_\_\_\_



**ADA Compliant**



Note: Rough-In Required:  
 Ø 1" [25mm] for Center Shank  
 Ø 1-1/2" [38mm] for Hot/Cold Side [1-1/4" [32mm] Minimum]

Product Specifications:

**EasyInstall Faucet w/ Ceramic Cartridges, 1.6 GPM  
Flow Control, 4" Wrist Action Handles, 8" Inlet Centers &  
Swivel Gooseneck w/ Plain End Spout**

Drawn <b>JRM</b>	Checked <b>GEF</b>	Approved <b>JHB</b>
Scale: <b>NTS</b>		Date: <b>07/31/08</b>



# T&S BRASS AND BRONZE WORKS, INC.

2 Saddleback Cove / P.O. Box 1088  
Travelers Rest, SC 29690



REG. #A2601  
ISO #9001

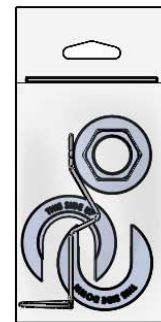
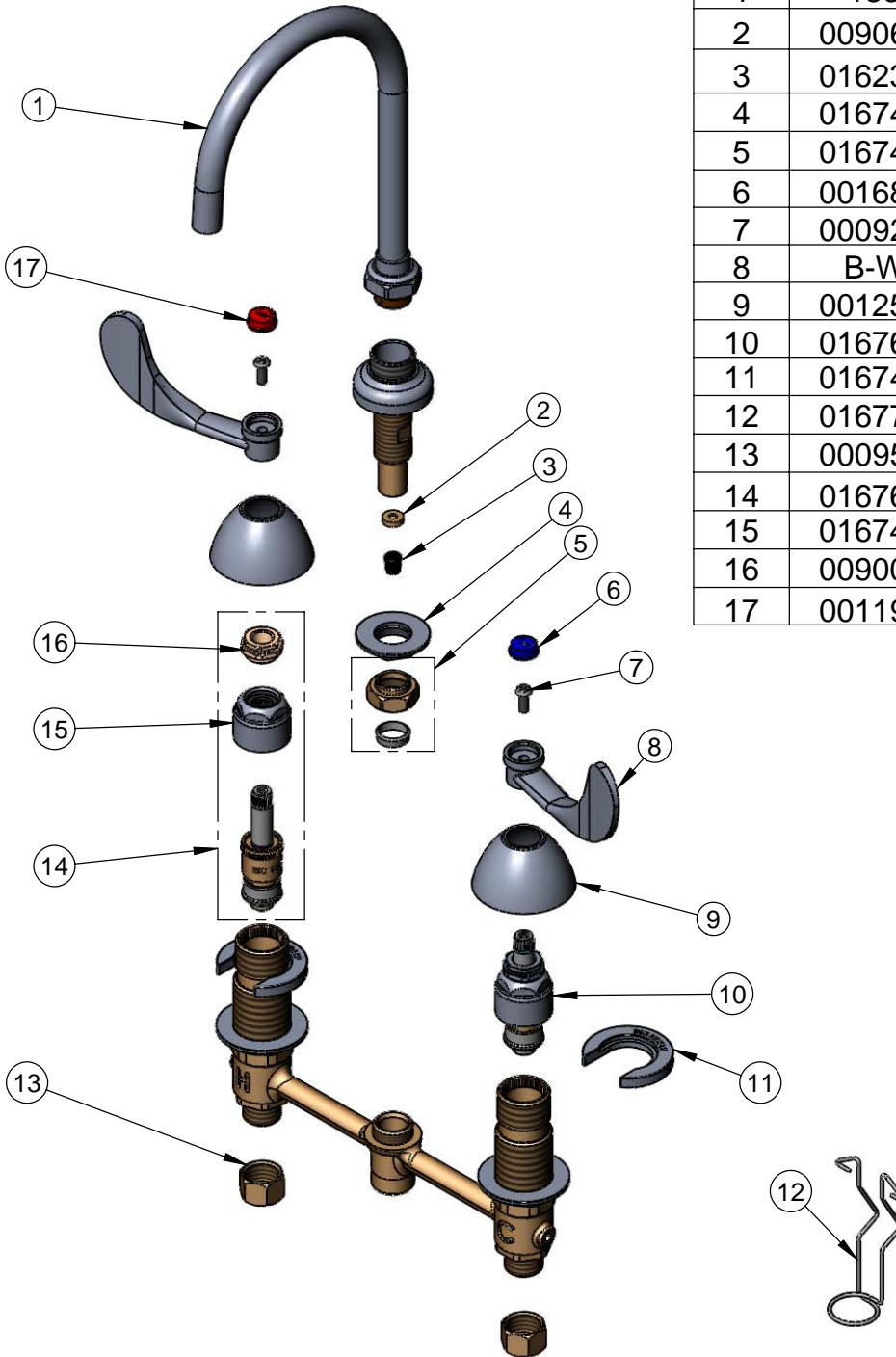
Model No.

**B-2866-05FC-CR**

Item No.

Travelers Rest, SC: 800-476-4103 Simi Valley, CA: 800-423-0150 Fax: 864-834-3518 www.tsbrass.com

ITEM NO.	SALES NO.	DESCRIPTION
1	133XP	Plain End Swivel Gooseneck
2	009069-45	Flow Control Holder
3	016232-45	Flow Tower, 1.6 GPM
4	016742-45	Center Flange Nut
5	016745-45	Compression Nut & Fitting
6	001686-45	Blue CW Index
7	000925-45	Lab Handle Screw
8	B-WH4	4" Wrist Action Handle
9	001257-40	Bell Escutcheon
10	016768-25	EZ-Install CWS Cerama LTC
11	016749-45	Sidebody C-Washer
12	016777-45	CWS Hanger
13	000958-20	Coupling Nut
14	016767-25	EZ-Install CWS Cerama RTC
15	016743-25	CWS Bonnet Assembly
16	009002-25	Packing Nut Assembly
17	001194-45	Red HW Index



017245-40  
Installation Repair Kit  
Includes #4, (2)#11, #12

Product Specifications:

EasyInstall Faucet w/ Ceramic Cartridges, 1.6 GPM  
Flow Control, 4" Wrist Action Handles, 8" Inlet Centers &  
Swivel Gooseneck w/ Plain End Spout

Drawn <b>JRM</b>	Checked <b>GEF</b>	Approved <b>JHB</b>
Scale: <b>NTS</b>		Date: <b>07/31/08</b>