



T&S BRASS AND BRONZE WORKS, INC.

2 Saddleback Cove / P.O. Box 1088
Travelers Rest, SC 29690



REG. #A2601
ISO #9001

Model No.

B-2866-05FC

Item No.

Travelers Rest, SC: 800-476-4103 Simi Valley, CA: 800-423-0150 Fax: 864-834-3518 www.tsbrass.com

This Space for Architect/Engineer Approval

Job Name _____ Date _____

Model Specified _____ Quantity _____

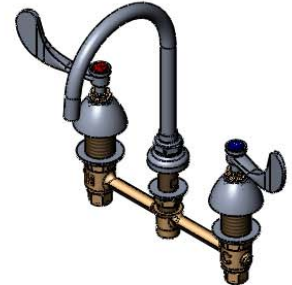
Customer/Wholesaler _____

Contractor _____

Architect/Engineer _____

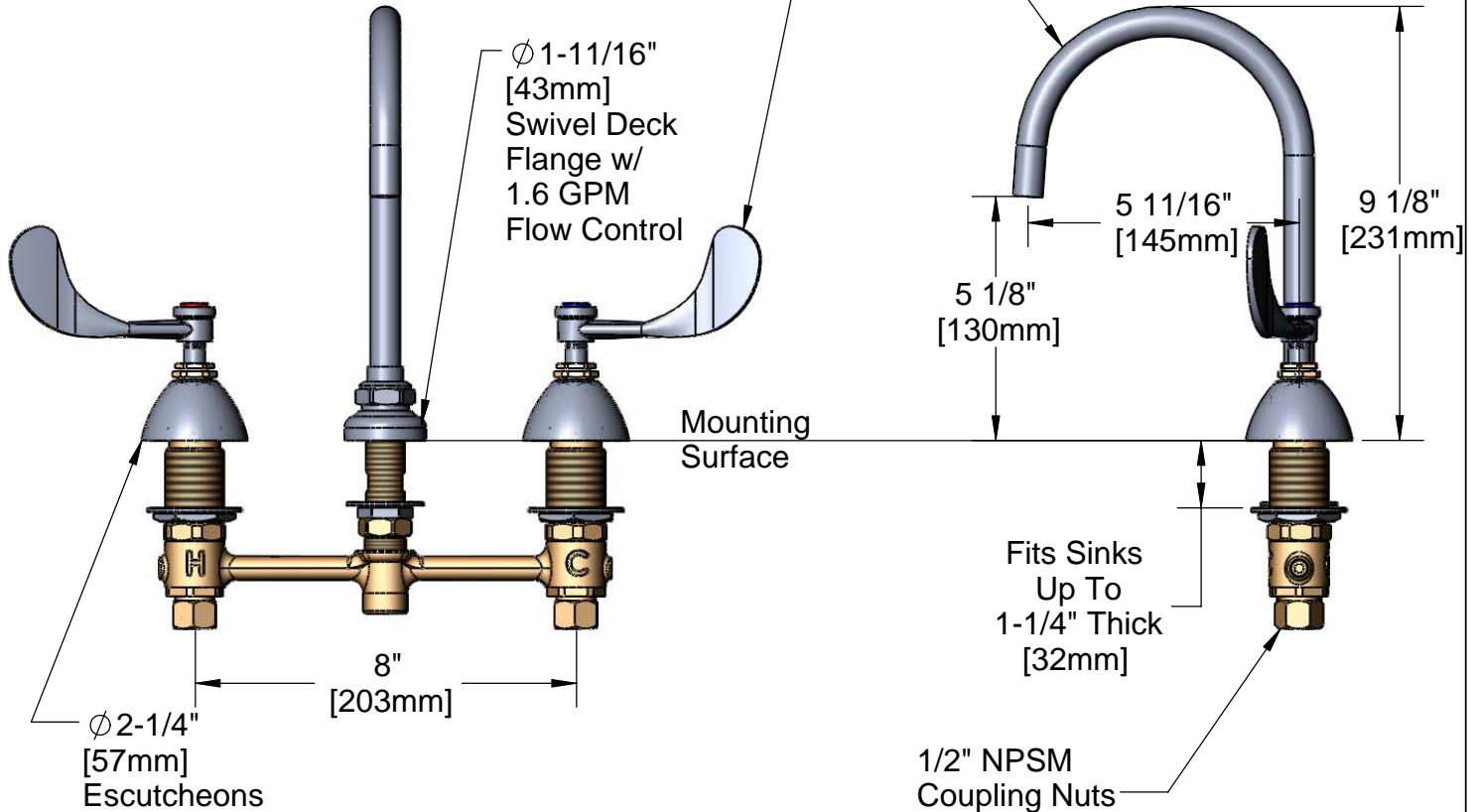


ADA Compliant



B-WH4
4" Wrist Action Handles
w/ Color Coded Indexes

Swivel-to-Rigid Gooseneck
w/ Plain End Spout



Note: Rough-In Required:
ϕ 1" [25mm] for Center Shank
ϕ 1-1/2" [38mm] for Hot/Cold Side [1-1/4" [32mm] Minimum]

Product Specifications:

EasyInstall Faucet w/ 1.6 GPM Flow Control,
4" Wrist Action Handles, Comp Cartridges,
8" Inlet Centers & Swivel Gooseneck w/ Plain End Spout

Drawn JRM	Checked GEF	Approved JHB
Scale: NTS		Date: 8/05/08



T&S BRASS AND BRONZE WORKS, INC.

2 Saddleback Cove / P.O. Box 1088
Travelers Rest, SC 29690



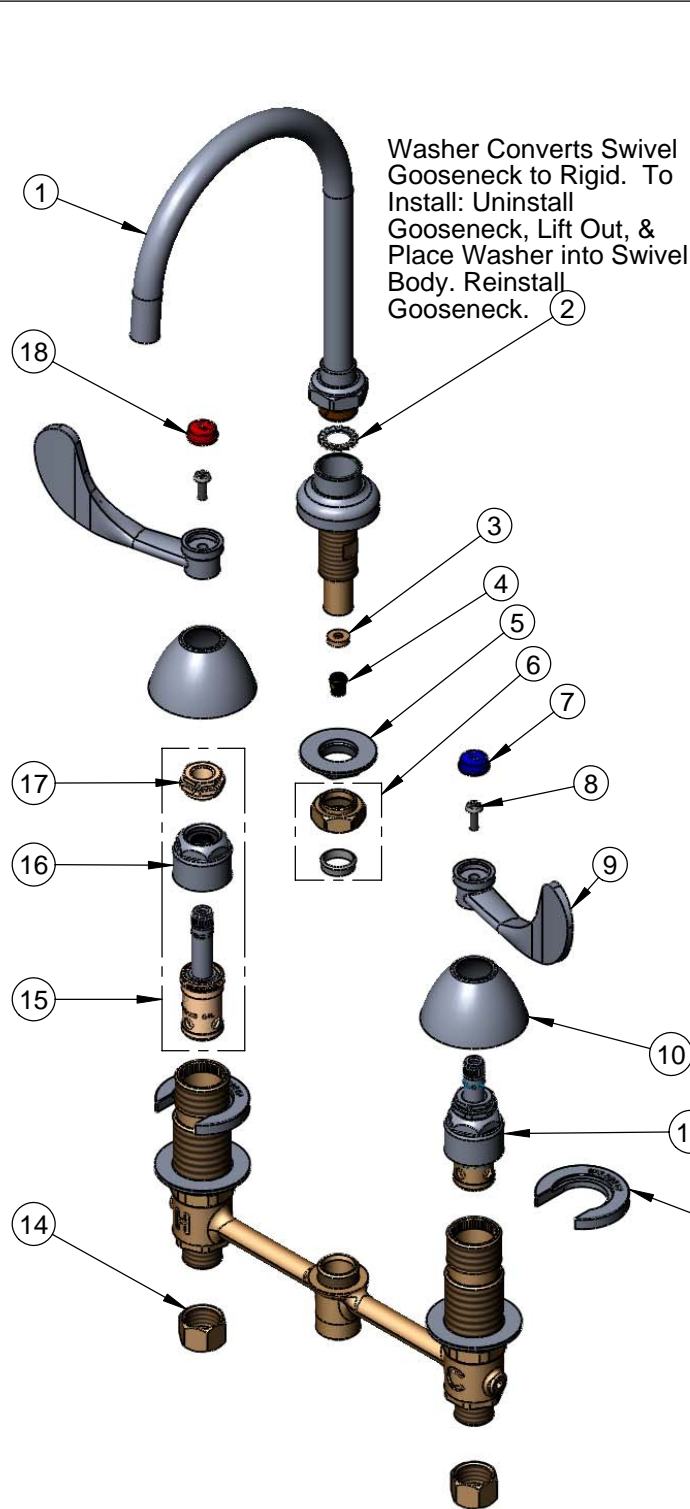
REG. #A2601
ISO #9001

Model No.

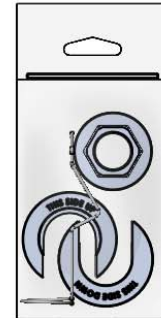
B-2866-05FC

Item No.

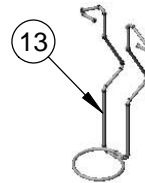
Travelers Rest, SC: 800-476-4103 Simi Valley, CA: 800-423-0150 Fax: 864-834-3518 www.tsbrass.com



ITEM NO.	SALES NO.	DESCRIPTION
1	133XP	Plain End Swivel Gooseneck
2	014200-45	Star Washer, Anti-Rotation
3	009069-45	Flow Control Holder
4	016232-45	Flow Tower, 1.6 GPM
5	016742-45	Center Flange Nut
6	016745-45	Compression Nut & Fitting
7	001686-45	Blue CW Index
8	000925-45	Lab Handle Screw
9	B-WH4	4" Wrist Action Handle
10	001257-40	Bell Escutcheon
11	016752-40	EZ-Install LTC Eterna (Teflon)
12	016749-45	Sidebody C-Washer
13	016777-45	CWS Hanger
14	000958-20	Coupling Nut
15	016753-40	EZ-Install RTC Eterna (Teflon)
16	016743-25	CWS Bonnet Assembly
17	009002-25	Packing Nut Assembly
18	001194-45	Red HW Index



017245-40
Installation Repair Kit
Includes #5, (2)#12, & #13



Product Specifications:

EasyInstall Faucet w/ 1.6 GPM Flow Control,
4" Wrist Action Handles, Comp Cartridges,
8" Inlet Centers & Swivel Gooseneck w/ Plain End Spout

Drawn JRM	Checked GEF	Approved JHB
Scale: NTS		Date: 8/05/08