



# T&S BRASS AND BRONZE WORKS, INC.

2 Saddleback Cove / P.O. Box 1088  
Travelers Rest, SC 29690



REG. #A2601  
ISO #9001

Model No.

**B-2866-07**

Item No.

Travelers Rest, SC: 800-476-4103 Simi Valley, CA: 800-423-0150 Fax: 864-834-3518 www.tsbrass.com

This Space for Architect/Engineer Approval

Job Name \_\_\_\_\_ Date \_\_\_\_\_

Model Specified \_\_\_\_\_ Quantity \_\_\_\_\_

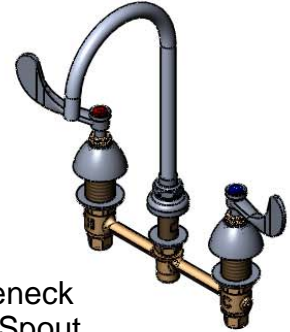
Customer/Wholesaler \_\_\_\_\_

Contractor \_\_\_\_\_

Architect/Engineer \_\_\_\_\_

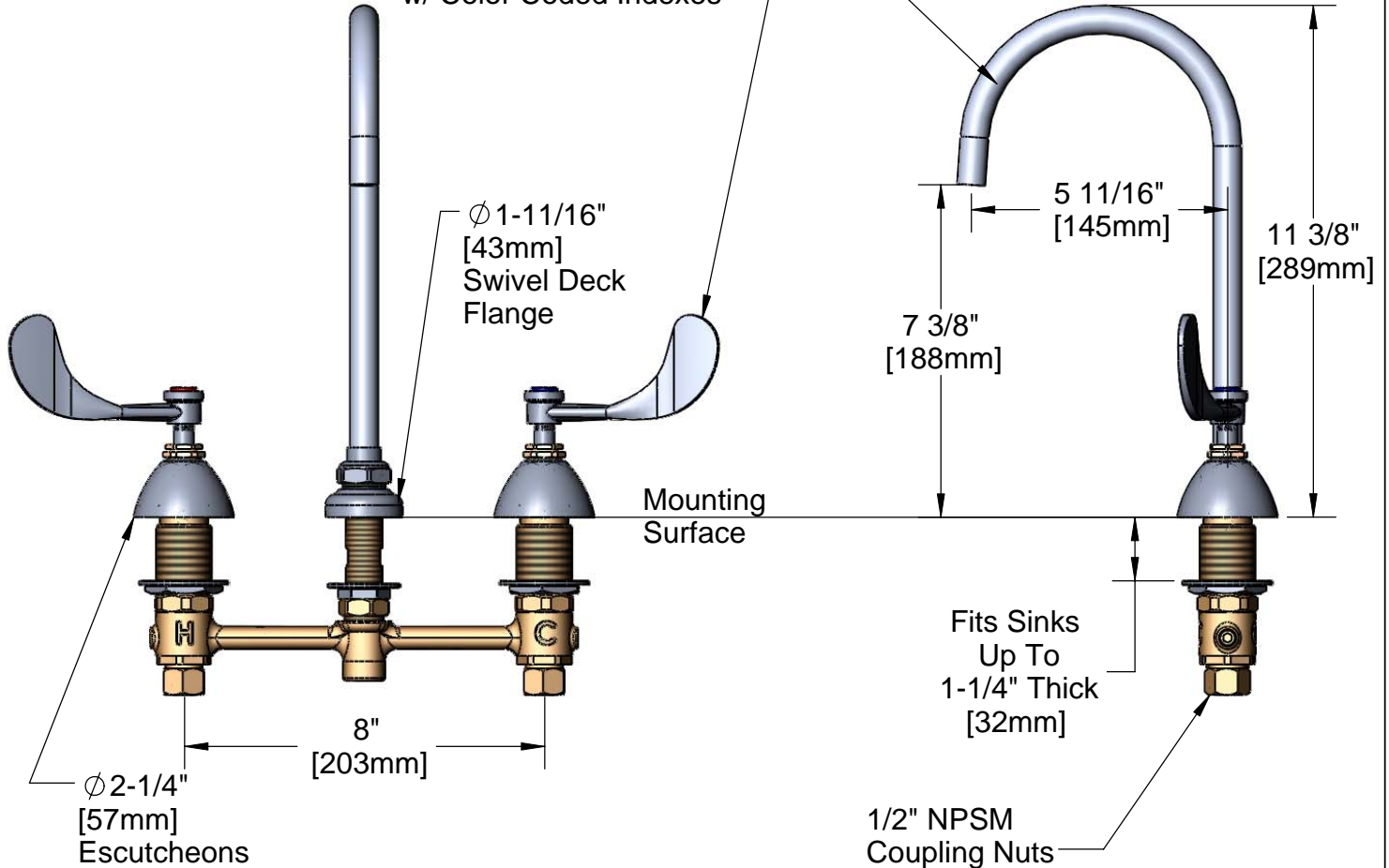


**ADA Compliant**



Swivel Gooseneck  
w/ Plain End Spout

B-WH4  
4" Wrist Action Handles  
w/ Color Coded Indexes



Note: Rough-In Required:  
 $\phi 1"$  [25mm] for Center Shank  
 $\phi 1-1/2"$  [38mm] for Hot/Cold Side [1-1/4" [32mm] Minimum]

Product Specifications:

**EasyInstall Faucet w/ 4" Wrist Action Handles,  
Compression Cartridges, 8" Inlet Centers &  
Swivel Gooseneck w/ Plain End Spout**

Drawn  
**JRM**

Checked  
**GEF**

Approved  
**JHB**

Scale:

**NTS**

Date:

**07/31/08**



**T&S BRASS AND BRONZE WORKS, INC.**

2 Saddleback Cove / P.O. Box 1088  
Travelers Rest, SC 29690



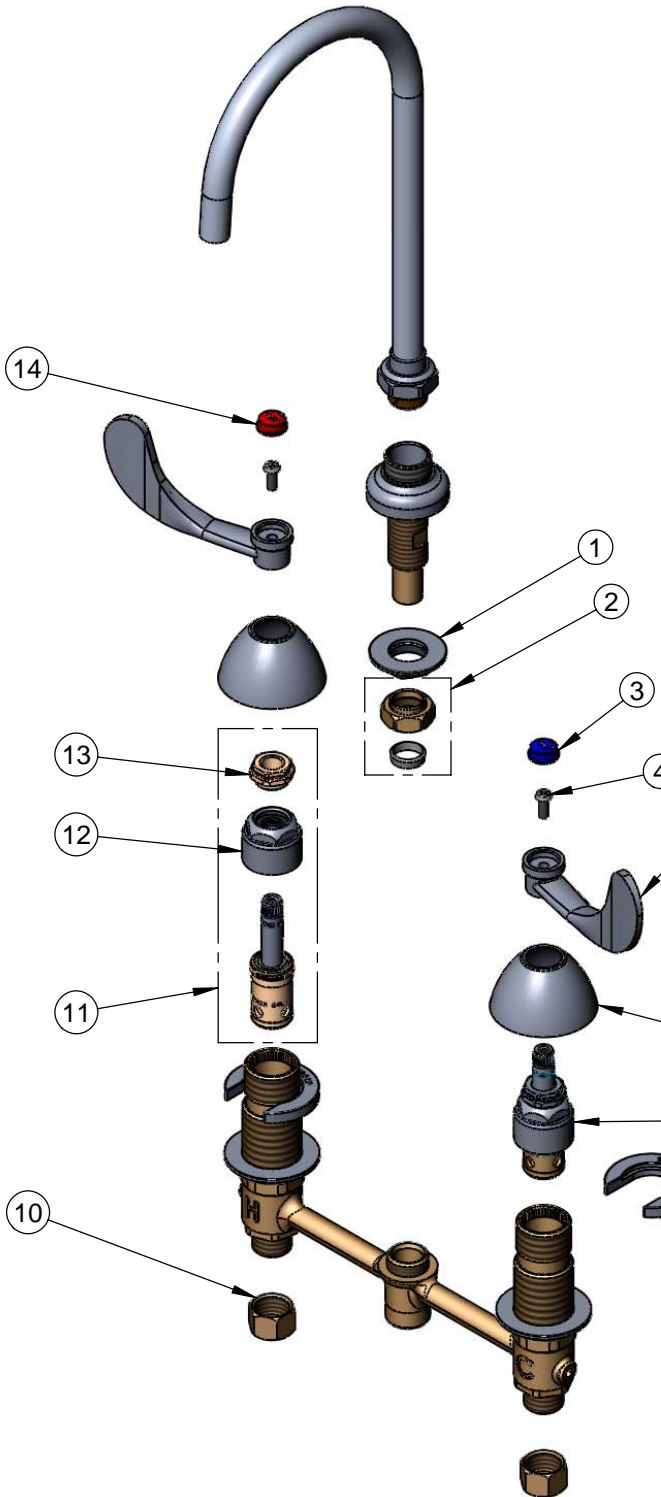
REG. #A2601  
ISO #9001

Model No.

**B-2866-07**

Item No.

Travelers Rest, SC: 800-476-4103 Simi Valley, CA: 800-423-0150 Fax: 864-834-3518 www.tsbrass.com



ITEM NO.	SALES NO.	DESCRIPTION
1	016742-45	Center Flange Nut
2	016745-45	Compression Nut & Fitting
3	001686-45	Blue CW Index
4	000925-45	Lab Handle Screw
5	B-WH4	4" Wrist Action Handle
6	001257-40	Bell Escutcheon
7	016752-40	EZ-Install LTC Eterna (Teflon)
8	016749-45	Sidebody C-Washer
9	016777-45	CWS Hanger
10	000958-20	Coupling Nut
11	016753-40	EZ-Installl RTC Eterna (Teflon)
12	016743-25	CWS Bonnet Assembly
13	009002-25	Packing Nut Assembly
14	001194-45	Red HW Index



017245-40  
Installation Repair Kit  
Includes #1, (2)#8, & #9

Product Specifications:

EasyInstall Faucet w/ 4" Wrist Action Handles,  
Compression Cartridges, 8" Inlet Centers &  
Swivel Gooseneck w/ Plain End Spout

Drawn <b>JRM</b>	Checked <b>GEF</b>	Approved <b>JHB</b>
Scale: <b>NTS</b>		Date: <b>07/31/08</b>