



# T&S BRASS AND BRONZE WORKS, INC.

2 Saddleback Cove / P.O. Box 1088  
Travelers Rest, SC 29690



REG. #A2601  
ISO #9001

Model No.  
**B-2990-175F**

Item No.

Travelers Rest, SC: 800-476-4103 Simi Valley, CA: 800-423-0150 Fax: 864-834-3518 www.tsbrass.com

This Space for Architect/Engineer Approval

Job Name \_\_\_\_\_ Date \_\_\_\_\_

Model Specified \_\_\_\_\_ Quantity \_\_\_\_\_

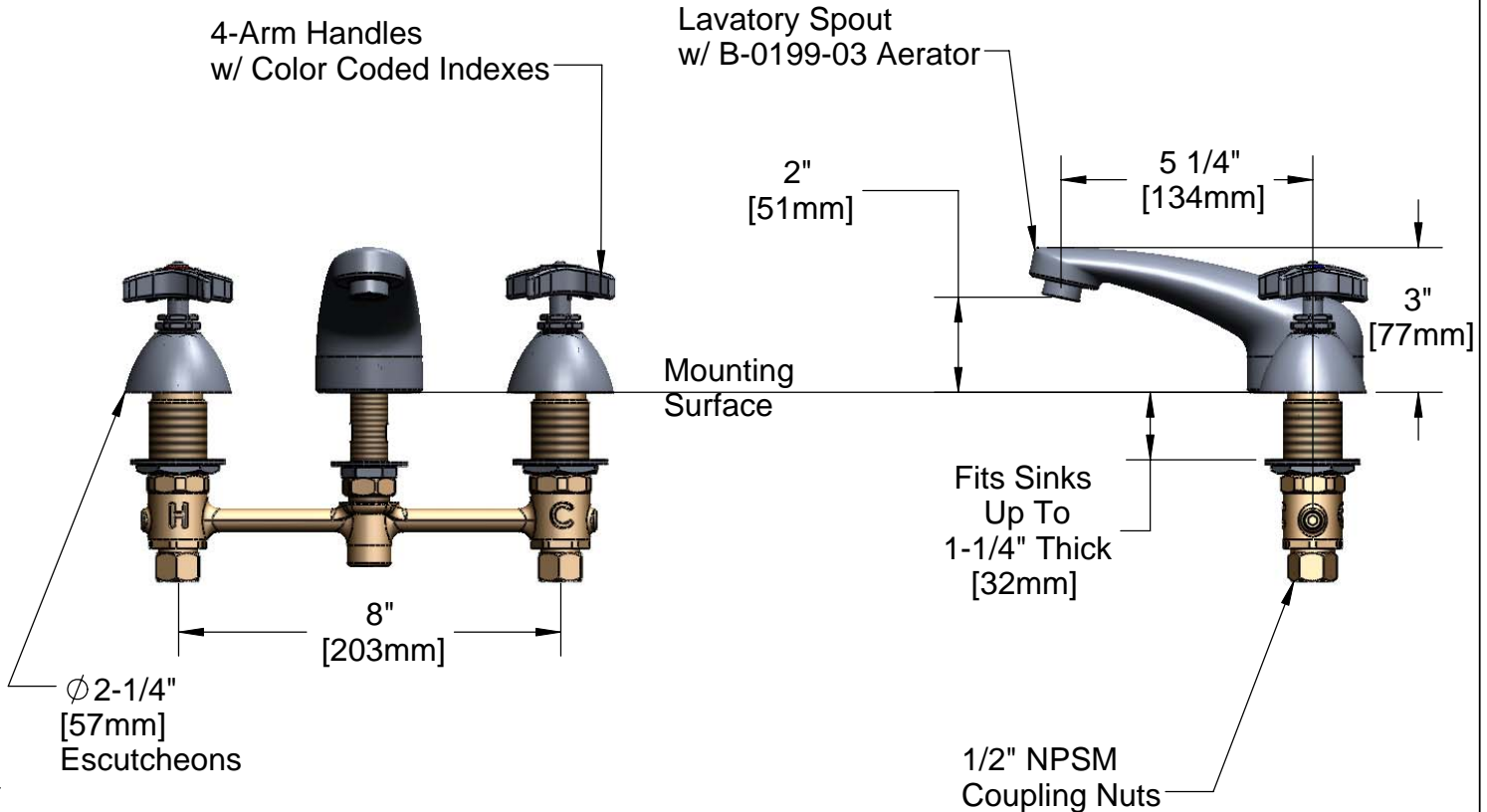
Customer/Wholesaler \_\_\_\_\_

Contractor \_\_\_\_\_

Architect/Engineer \_\_\_\_\_



**ADA Compliant**



Note: Rough-In Required:  
 ϕ 1" [25mm] for Center Shank  
 ϕ 1-1/2" [38mm] for Hot/Cold Side [1-1/4" [32mm] Minimum]

Product Specifications:

**EasyInstall Faucet w/ 4-Arm Handles, (2) "HOT" Compression Cartridges, 8" Inlet Centers, & Lavatory Spout w/ B-0199-03**

Drawn <b>JRM</b>	Checked <b>GEF</b>	Approved <b>JHB</b>
Scale: <b>NTS</b>		Date: <b>9/11/08</b>



**T&S BRASS AND BRONZE WORKS, INC.**

2 Saddleback Cove / P.O. Box 1088  
Travelers Rest, SC 29690



REG. #A2601  
ISO #9001

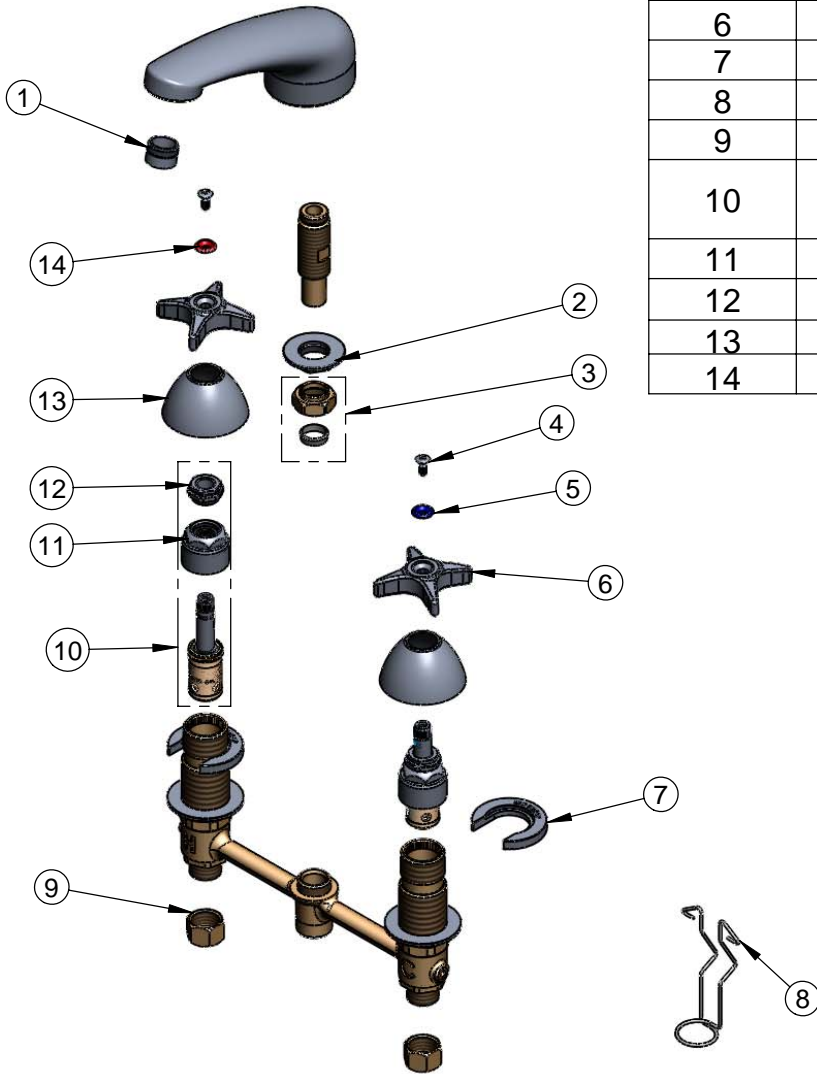
Model No.

**B-2990-175F**

Item No.

Travelers Rest, SC: 800-476-4103 Simi Valley, CA: 800-423-0150 Fax: 864-834-3518 www.tsbrass.com

ITEM NO.	SALES NO.	DESCRIPTION
1	B-0199-03	2.2 GPM Aerator
2	016742-45	Center Flange Nut
3	016745-45	Compression Nut & Fitting
4	000922-45	Lever Handle Screw
5	001660-45	Blue Index-CW
6	002521-45	4-Arm Handle
7	016749-45	Sidebody C-Washer
8	016777-45	CWS Hanger
9	000958-20	Coupling Nut
10	016753-40	EasyInstall CWS RTC Eterna (Teflon)
11	016743-25	CWS Bonnet Assembly
12	009002-25	Packing Nut Assembly
13	001257-40	Bell Escutcheon
14	001661-45	Red Index-HW



017245-40  
Installation Repair Kit  
Includes #2, (2)#7, & #8

Product Specifications:

EasyInstall Faucet w/ 4-Arm Handles, (2) "HOT" Compression Cartridges, 8" Inlet Centers, & Lavatory Spout w/ B-0199-03

Drawn <b>JRM</b>	Checked <b>GEF</b>	Approved <b>JHB</b>
Scale: <b>NTS</b>		Date: <b>9/11/08</b>