



T&S BRASS AND BRONZE WORKS, INC.

2 Saddleback Cove / P.O. Box 1088
Travelers Rest, SC 29690



REG. #A2601
ISO #9001

Model No.

B-2990-PSF

Item No.

Travelers Rest, SC: 800-476-4103 Simi Valley, CA: 800-423-0150 Fax: 864-834-3518 www.tsbrass.com

This Space for Architect/Engineer Approval

Job Name _____ Date _____

Model Specified _____ Quantity _____

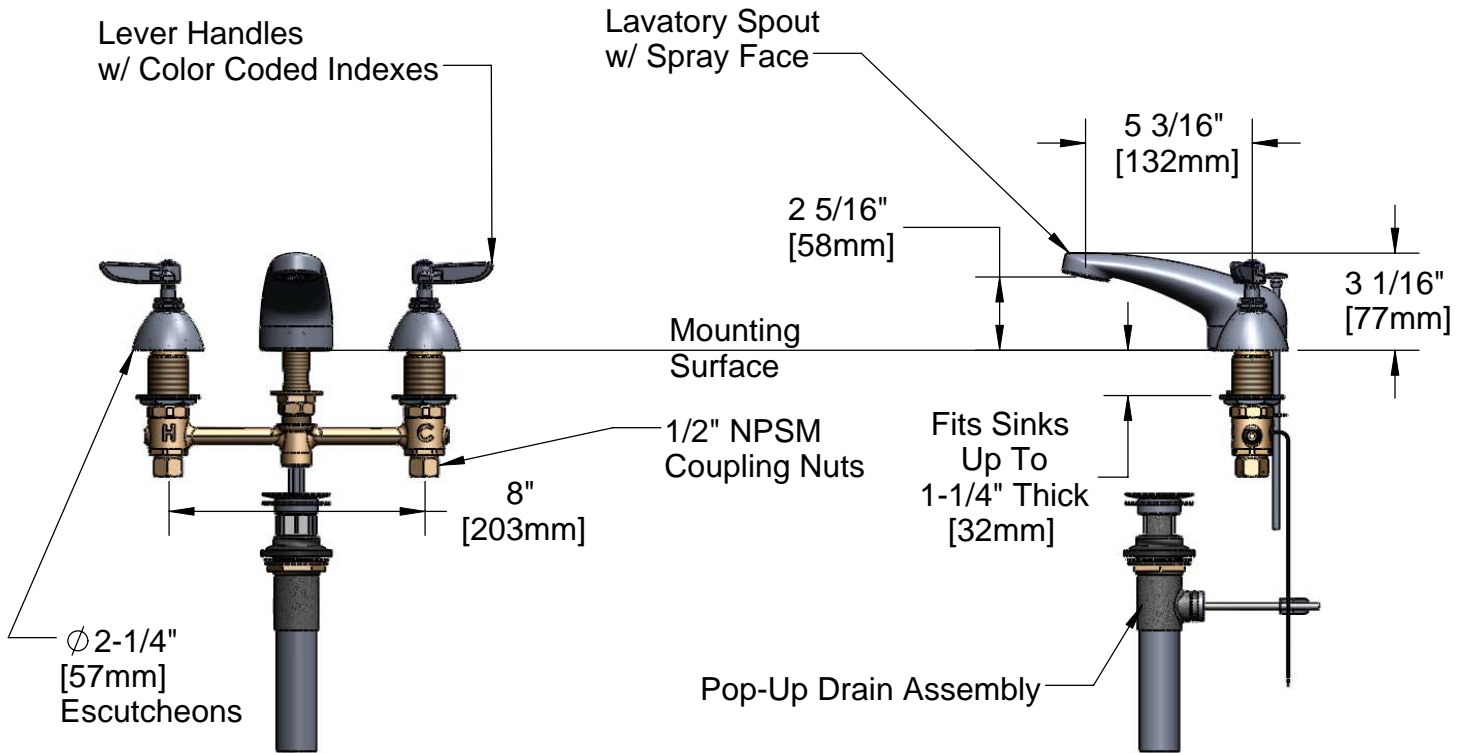
Customer/Wholesaler _____

Contractor _____

Architect/Engineer _____



ADA Compliant



Note: Rough-In Required:
 Ø 1" [25mm] for Center Shank
 Ø 1-1/2" [38mm] for Hot/Cold Side [1-1/4" [32mm] Minimum]

Product Specifications:
**EasyInstall Faucet w/ Lever Handles,
 Compression Cartridges, 8" Inlet Centers, Pop-Up Drain
 Lavatory Spout w/ Spray Face**

Drawn JRM	Checked GEF	Approved JHB
Scale: NTS		Date: 9/11/08



T&S BRASS AND BRONZE WORKS, INC.

2 Saddleback Cove / P.O. Box 1088
Travelers Rest, SC 29690



REG. #A2601
ISO #9001

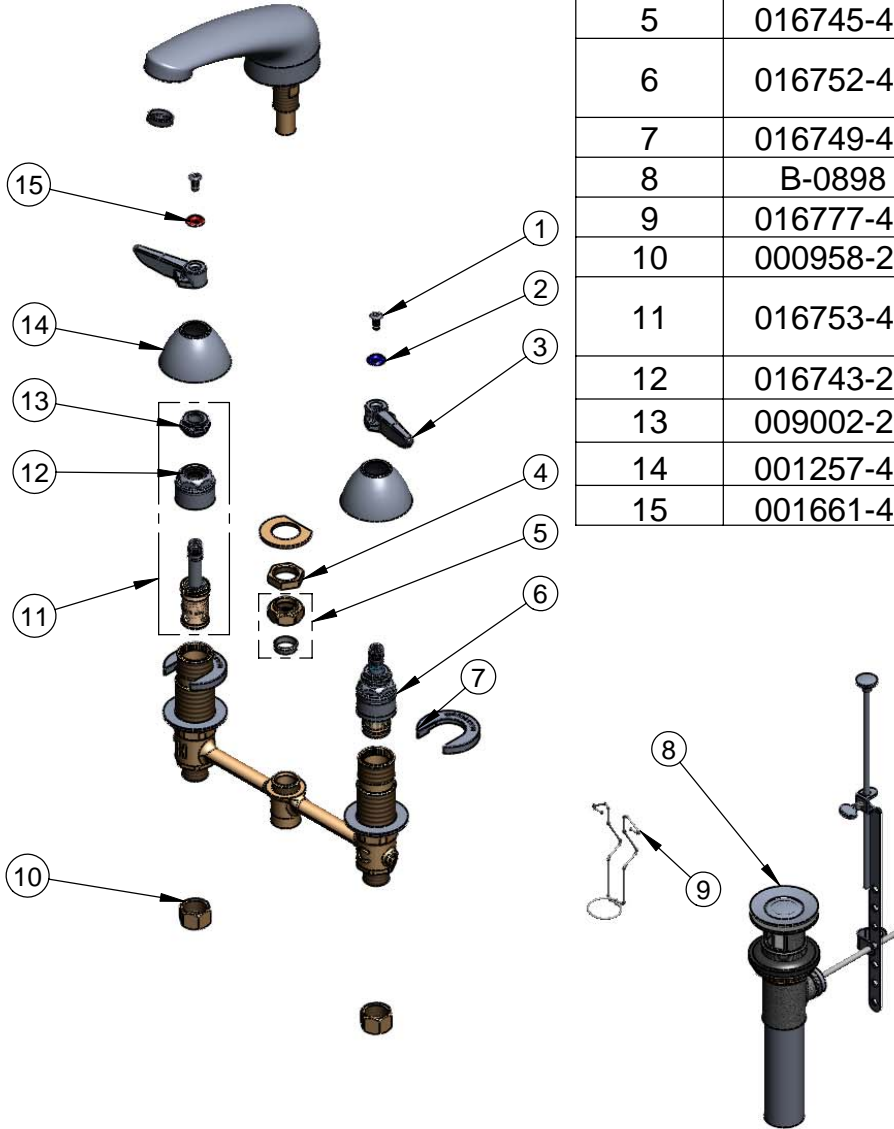
Model No.

B-2990-PSF

Item No.

Travelers Rest, SC: 800-476-4103 Simi Valley, CA: 800-423-0150 Fax: 864-834-3518 www.tsbrass.com

ITEM NO.	SALES NO.	DESCRIPTION
1	000922-45	Lever Handle Screw
2	001660-45	Blue Index-CW
3	001638-45	Lever Handle
4	002954-45	Shank Lock Nut
5	016745-45	Compression Nut & Fitting
6	016752-40	CWS EasyInstall LTC Eterna (Teflon)
7	016749-45	Sidebody C-Washer
8	B-0898	Pop-Up Drain
9	016777-45	CWS Hanger
10	000958-20	Coupling Nut
11	016753-40	CWS EasyInstall RTC Eterna (Teflon)
12	016743-25	CWS Bonnet Assembly
13	009002-25	Packing Nut Assembly
14	001257-40	Bell Escutcheon
15	001661-45	Red Index-HW



Product Specifications:

EasyInstall Faucet w/ Lever Handles,
Compression Cartridges, 8" Inlet Centers, Pop-Up Drain
Lavatory Spout w/ Spray Face

Drawn JRM	Checked GEF	Approved JHB
Scale: NTS		Date: 9/11/08