



T&S BRASS AND BRONZE WORKS, INC.

2 Saddleback Cove / P.O. Box 1088
Travelers Rest, SC 29690



REG. #A2601
ISO #9001

Model No.
B-2990-PSFWH4

Item No.

Travelers Rest, SC: 800-476-4103 Simi Valley, CA: 800-423-0150 Fax: 864-834-3518 www.tsbrass.com

This Space for Architect/Engineer Approval

Job Name _____ Date _____

Model Specified _____ Quantity _____

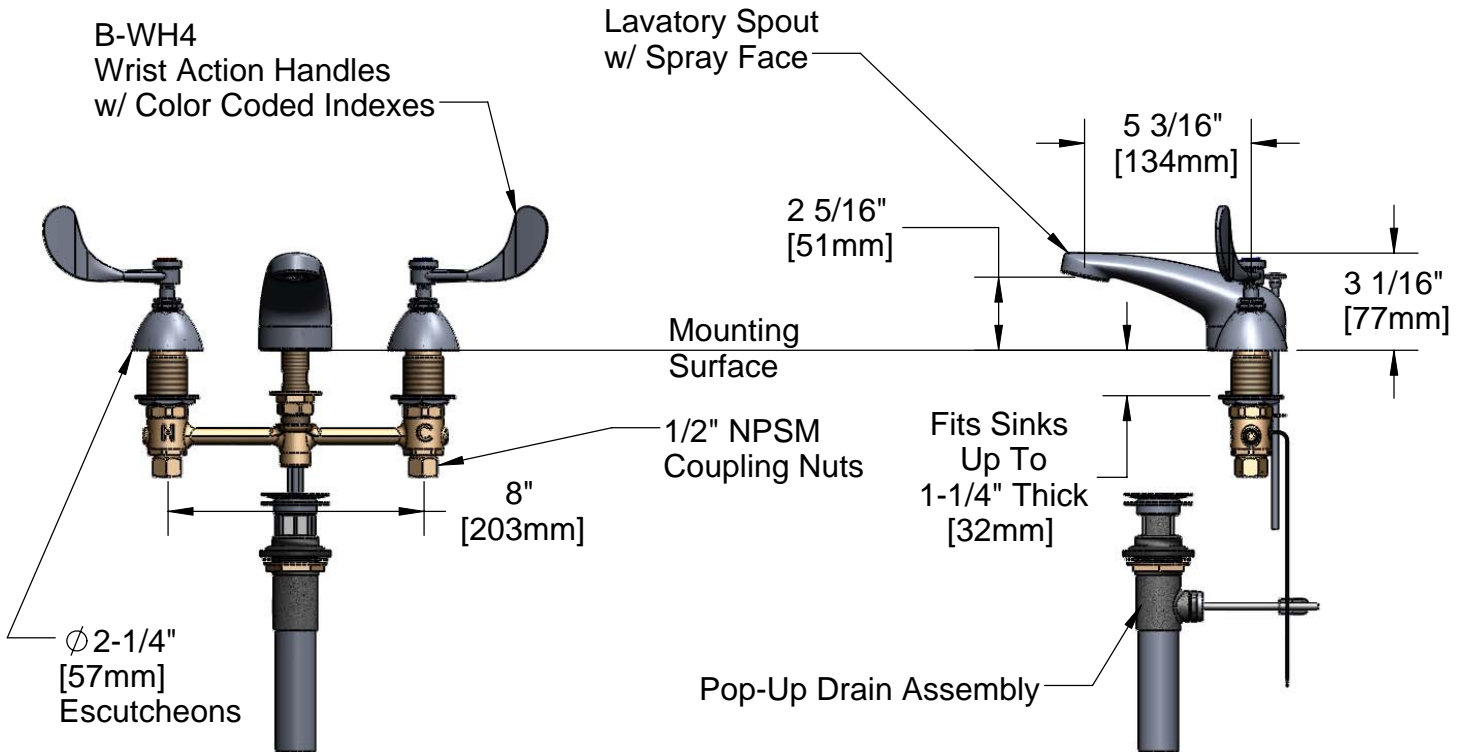
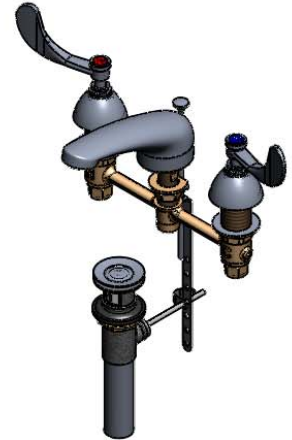
Customer/Wholesaler _____

Contractor _____

Architect/Engineer _____



ADA Compliant



Note: Rough-In Required:
 Ø 1" [25mm] for Center Shank
 Ø 1-1/2" [38mm] for Hot/Cold Side [1-1/4" [32mm] Minimum]

Product Specifications:
**EasyInstall Faucet w/ 4" Wrist Action Handles,
 Compression Cartridges, 8" Inlet Centers, Pop-Up Drain
 Lavatory Spout w/ Spray Face**

Drawn JRM	Checked GEF	Approved JHB
Scale: NTS		Date: 07/31/08



T&S BRASS AND BRONZE WORKS, INC.

2 Saddleback Cove / P.O. Box 1088
Travelers Rest, SC 29690



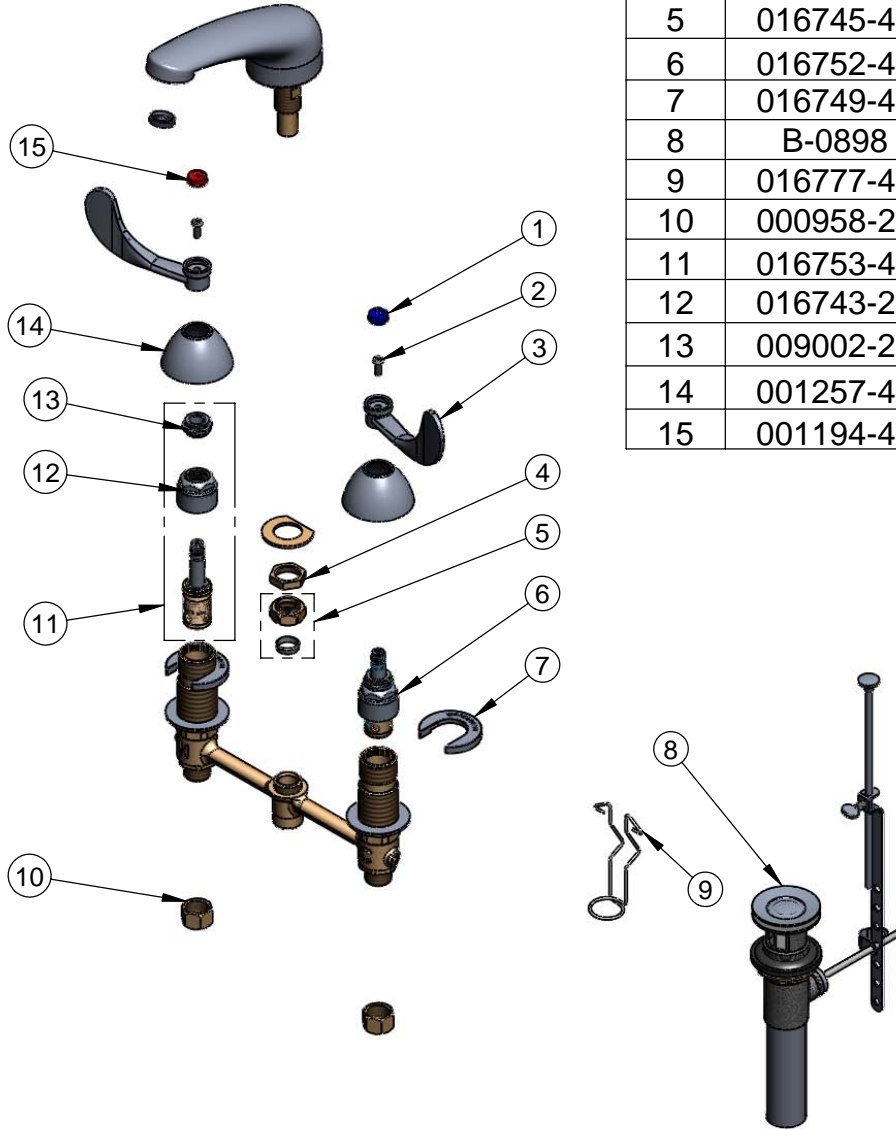
REG. #A2601
ISO #9001

Model No.

B-2990-PSFWH4

Item No.

Travelers Rest, SC: 800-476-4103 Simi Valley, CA: 800-423-0150 Fax: 864-834-3518 www.tsbrass.com



ITEM NO.	SALES NO.	DESCRIPTION
1	001686-45	Blue CW Index
2	000925-45	Lab Handle Screw
3	B-WH4	4" Wrist Action Handle
4	002954-45	Shank Lock Nut
5	016745-45	Compression Nut & Fitting
6	016752-40	EZ-Install LTC Eterna (Teflon)
7	016749-45	Sidebody C-Washer
8	B-0898	Pop-Up Drain
9	016777-45	CWS Hanger
10	000958-20	Coupling Nut
11	016753-40	EZ-Install RTC Eterna (Teflon)
12	016743-25	CWS Bonnet Assembly
13	009002-25	Packing Nut Assembly
14	001257-40	Bell Escutcheon
15	001194-45	Red HW Index

Product Specifications:

EasyInstall Faucet w/ 4" Wrist Action Handles,
Compression Cartridges, 8" Inlet Centers, Pop-Up Drain
Lavatory Spout w/ Spray Face

Drawn JRM	Checked GEF	Approved JHB
Scale: NTS		Date: 07/31/08