



# T&S BRASS AND BRONZE WORKS, INC.

2 Saddleback Cove / P.O. Box 1088  
Travelers Rest, SC 29690



REG. #A2601  
ISO #9001

Model No.

**B-3972**

Item No.

Travelers Rest, SC: 800-476-4103 Simi Valley, CA: 800-423-0150 Fax: 864-834-3518 www.tsbrass.com

This Space for Architect/Engineer Approval

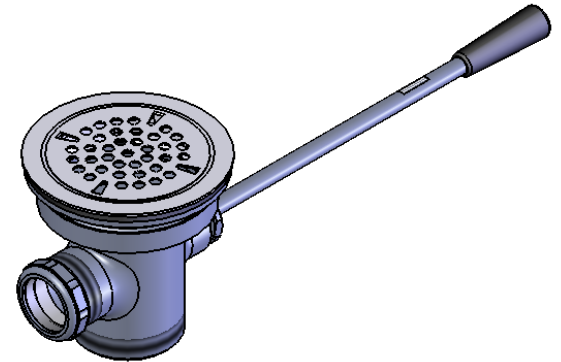
Job Name \_\_\_\_\_ Date \_\_\_\_\_

Model Specified \_\_\_\_\_ Quantity \_\_\_\_\_

Customer/Wholesaler \_\_\_\_\_

Contractor \_\_\_\_\_

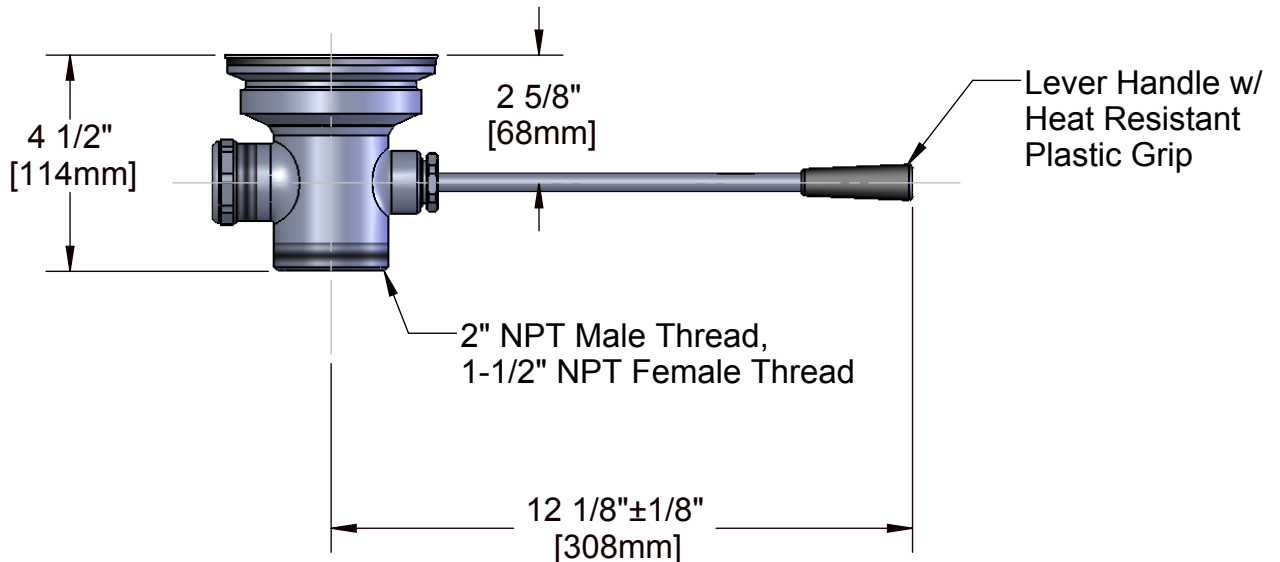
Architect/Engineer \_\_\_\_\_



Removable  
Snap-in Strainer



$\phi 4 \frac{7}{16}$ "  
[113mm]



Product Specifications:

Waste Drain Valve w/ Lever Handle, 3 1/2" Sink Opening, 2" NPT Male / 1-1/2" NPT Female Thread Outlet

Drawn  
DHL

Checked  
JRM

Approved  
JHB

Scale:

1:4

Date:

3/19/2007



**T&S BRASS AND BRONZE WORKS, INC.**

2 Saddleback Cove / P.O. Box 1088  
Travelers Rest, SC 29690



REG. #A2601  
ISO #9001

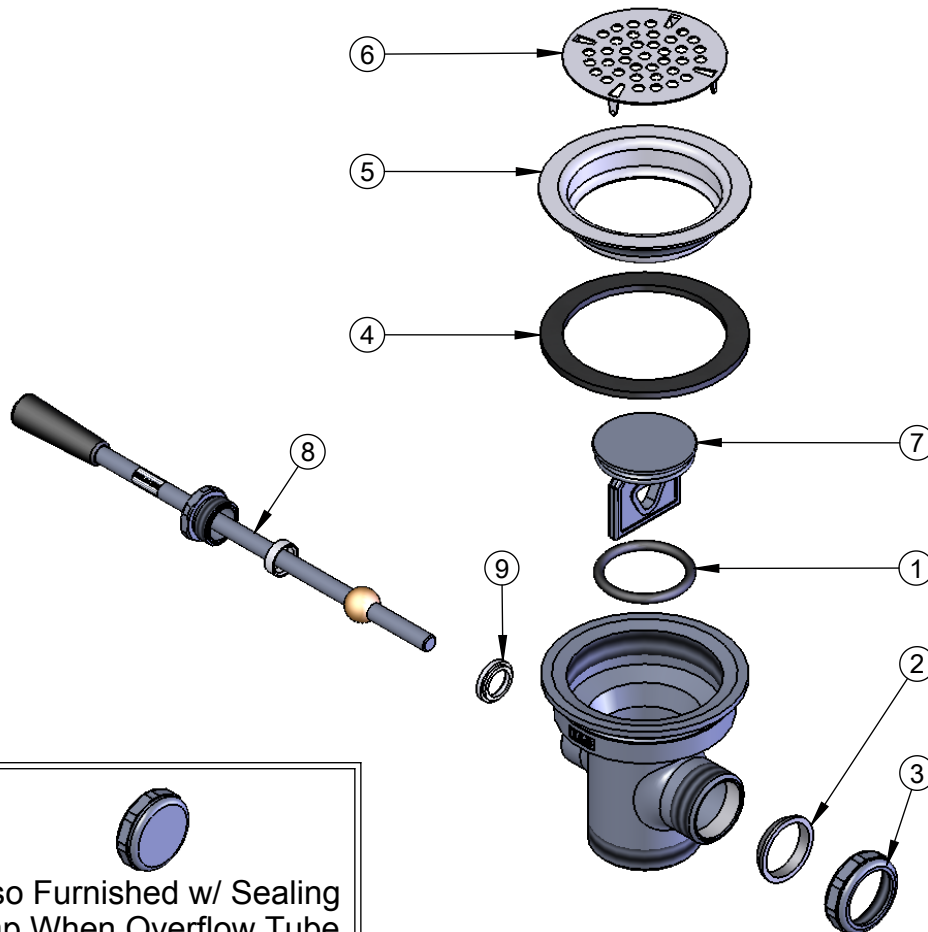
Model No.

**B-3972**

Item No.

Travelers Rest, SC: 800-476-4103 Simi Valley, CA: 800-423-0150 Fax: 864-834-3518 www.tsbrass.com

| ITEM NO. | SALES NO. | DESCRIPTION                           |
|----------|-----------|---------------------------------------|
| 1        | 010389-45 | O-Ring, Plunger                       |
| 2        | 010390-45 | Ferrule, Coupling Nut                 |
| 3        | 010391-45 | Nut, Coupling For Twist Drain         |
| 4        | 010382-45 | Gasket, 3 1/2" Face Flange            |
| 5        | 010384-45 | Flange, 3 1/2" Face                   |
| 6        | 010386-45 | Strainer, 3 1/2" Snap-in Removable    |
| 7        | 015405-45 | Plunger Casting For Lever Waste Drain |
| 8        | 010394-45 | Handle Asm, Waste Drain Valve Lever   |
| 9        | 010392-45 | Bushing, Waste Drain Lever Handle     |



Also Furnished w/ Sealing Cap When Overflow Tube Coupling Nut is Not Used.  
PN# 012640-45

Product Specifications:

Waste Drain Valve w/ Lever Handle, 3 1/2" Sink Opening, 2" NPT Male / 1-1/2" NPT Female Thread Outlet

|               |                |                    |
|---------------|----------------|--------------------|
| Drawn<br>DHL  | Checked<br>JRM | Approved<br>JHB    |
| Scale:<br>1:4 |                | Date:<br>3/19/2007 |