



T&S BRASS AND BRONZE WORKS, INC.

2 Saddleback Cove / P.O. Box 1088
Travelers Rest, SC 29690



REG. #A2601
ISO #9001

Model No.
B-7142-10

Item No.

Travelers Rest, SC: 800-476-4103 Simi Valley, CA: 800-423-0150 Fax: 864-834-3518 www.tsbrass.com

This Space for Architect/Engineer Approval

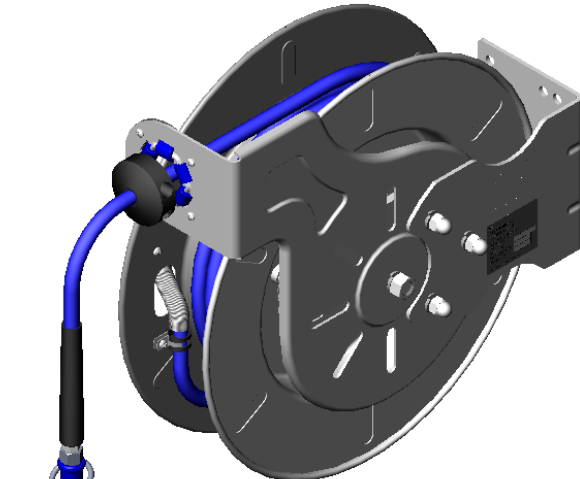
Job Name _____ Date _____

Model Specified _____ Quantity _____

Customer/Wholesaler _____

Contractor _____

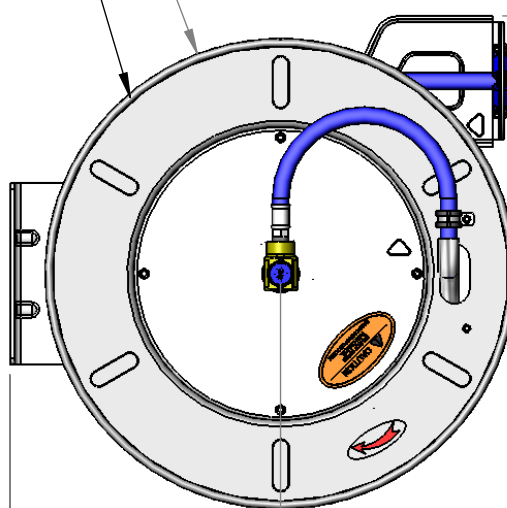
Architect/Engineer _____



Open Stainless Steel Hose Reel;
50 Ft. of 3/8" Hose

Ø 19 5/8"
[498mm]

3/8" NPT Female Inlet
(Left Side of Reel)



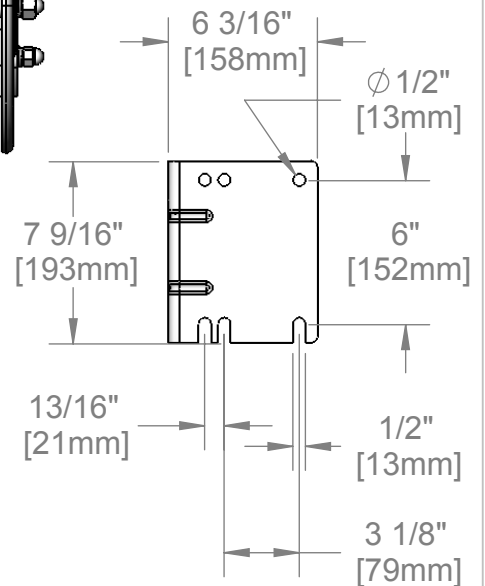
20 9/16"
[523mm]

9 7/16"
[240mm]

11 1/4"
[286mm]

21 1/16"
[536mm]

EB-2322
Extended Spray Wand
w/ Blue Spray Valve &
Adjustable Spray Pattern Outlet



Product Specifications:

**3/8" x 50 Ft. Open Stainless Steel Reel
w/ EB-2322 Extended Spray Wand & Blue Spray Valve**

Drawn
JRM

Checked
DHL

Approved
JHB

Scale:

1:8

Date:

12/19/07



T&S BRASS AND BRONZE WORKS, INC.
 2 Saddleback Cove / P.O. Box 1088
 Travelers Rest, SC 29690



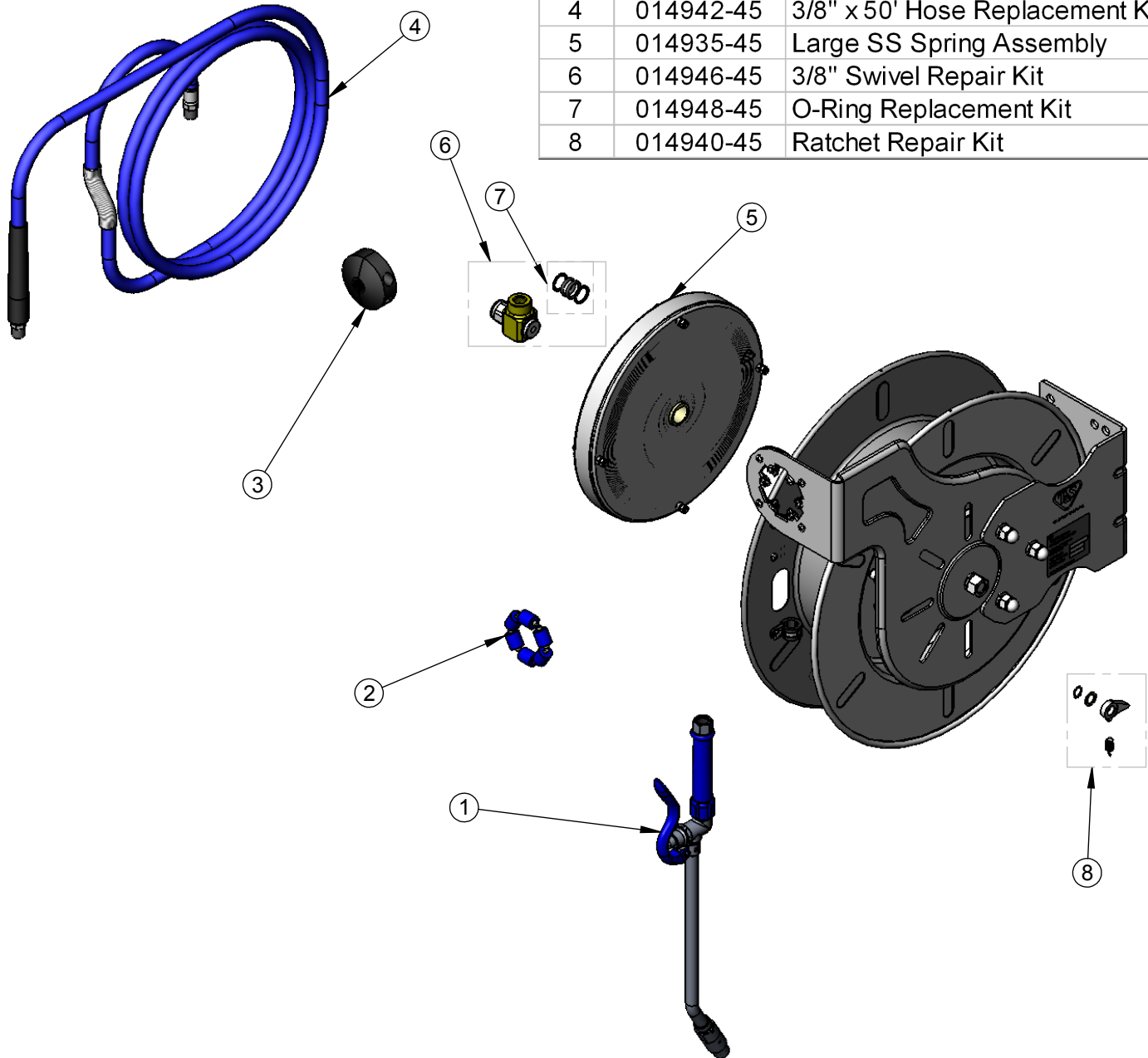
REG. #A2601
 ISO #9001

Model No.
B-7142-10

Item No.

Travelers Rest, SC: 800-476-4103 Simi Valley, CA: 800-423-0150 Fax: 864-834-3518 www.tsbrass.com

ITEM NO.	SALES NO.	DESCRIPTION
1	EB-2322	Extended Wand Spray Valve
2	014938-45	Roller Assembly Repair Kit
3	014949-45	Hose Stop Repair Kit
4	014942-45	3/8" x 50' Hose Replacement Kit
5	014935-45	Large SS Spring Assembly
6	014946-45	3/8" Swivel Repair Kit
7	014948-45	O-Ring Replacement Kit
8	014940-45	Ratchet Repair Kit



Product Specifications:

3/8" x 50 Ft. Open Stainless Steel Reel
 w/ EB-2322 Extended Spray Wand & Blue Spray Valve

Drawn JRM	Checked DHL	Approved JHB
Scale: 1:8		Date: 12/19/07